

PLEASE CHECK WWW.MOLEX.COM FOR LATEST PART INFORMATION

Part Number: [0877822007](#)
Status: **Active**
Description: 0.60mm (.024") Pitch miniDIMM DDR2 Socket, Vertical, SMT, 0.76µm (30µ") Gold (Au) over Nickel, 1.8V, with Pick and Place Cover, 244 Circuits, Type C Tray, Lead free

Documents:

[3D Model](#) [Product Specification PS-87782-027 \(PDF\)](#)
[Drawing \(PDF\)](#) [RoHS Certificate of Compliance \(PDF\)](#)

General

Product Family Memory Module Sockets
 Series [87782](#)
 Comments Latches in Off-White ColorWith Cap
 Component Type Socket
 JEDEC Outline MO-244
 Product Name MiniDIMM

Physical

Circuits (Loaded) 244
 Color - Resin Black
 Durability (mating cycles max) 25
 Entry Angle Vertical (Top Entry)
 Keying to Mating Part Yes
 Material - Metal Copper Alloy
 Material - Plating Mating Gold
 Material - Plating Termination Tin
 Material - Resin High Temperature Thermoplastic
 PCB Locator Yes
 PCB Retention Yes
 Packaging Type Tray
 Pitch - Mating Interface (in) 0.024 In
 Pitch - Mating Interface (mm) 0.60 mm
 Pitch - Term. Interface (in) 0.024 In
 Pitch - Term. Interface (mm) 0.60 mm
 Plating min: Mating (µin) 30
 Plating min: Mating (µm) 0.76
 Plating min: Termination (µin) 100
 Plating min: Termination (µm) 2.54
 Temperature Range - Operating -55°C to +85°C
 Termination Interface: Style Surface Mount

Electrical

Current - Maximum per Contact 1A
 Voltage - Maximum 30V (RMS)
 Voltage Key 1.8V

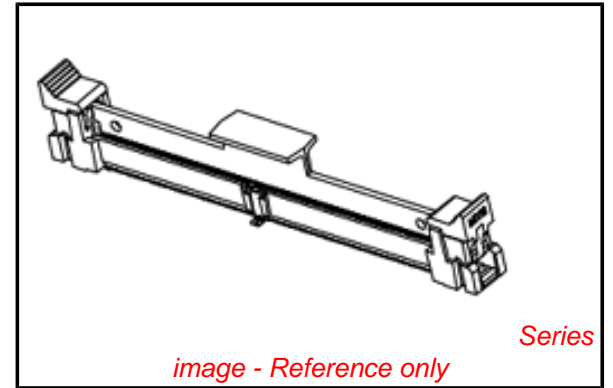
Solder Process Data

Duration at Max. Process Temperature (seconds) 5
 Lead-free Process Capability SMC & Wave Capable (TH only)
 Max. Cycles at Max. Process Temperature 2
 Process Temperature max. C 260

Material Info

Reference - Drawing Numbers

Product Specification PS-87782-027
 Sales Drawing SD-87782-001



EU RoHS

ELV and RoHS Compliant
REACH SVHC
 Not Reviewed
Halogen-Free
Status
Not Reviewed

China RoHS



Need more information on product environmental compliance?

Email productcompliance@molex.com
 For a multiple part number RoHS Certificate of Compliance, [click here](#)

Please visit the [Contact Us](#) section for any non-product compliance questions.

Search Parts in this Series

[87782Series](#)

Mates With

JEDEC MO-244 Modules

This document was generated on 04/09/2010

PLEASE CHECK WWW.MOLEX.COM FOR LATEST PART INFORMATION

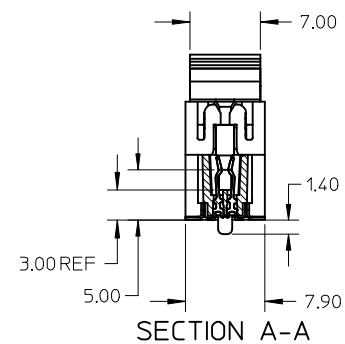
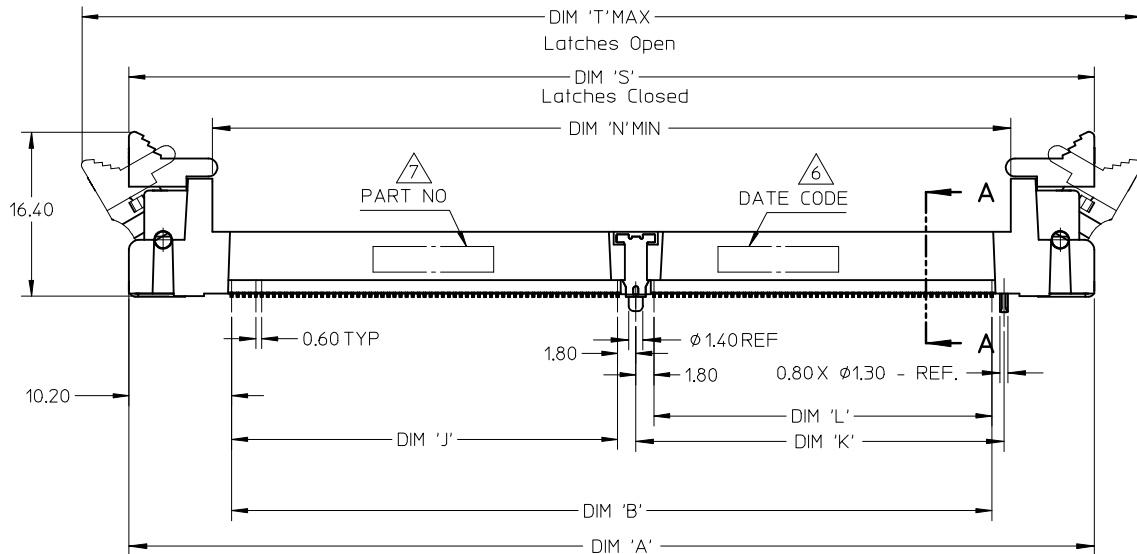
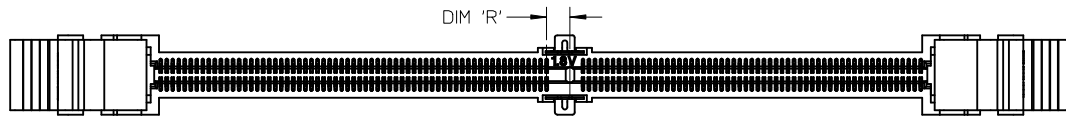
NOTES :

1. MATERIAL :
 - HOUSING : LIQUID CRYSTAL POLYMER, GLASS FILLED, UL 94V-0, COLOUR : BLACK
 - CONTACTS : COPPER ALLOY
 - LATCHES : HIGH TEMPERATURE NYLON, UL 94V-0 COLOUR : NATURAL (OFF-WHITE)

2. FINISH
 - CONTACT AREA : 0.76 MICROMETER (30 MICROINCH) MIN GOLD OVER
 - 1.25 MICROMETER (50 MICROINCH) MIN NICKEL
 - SMT TAIL : 2.54 MICROMETER (100 MICROINCH) MIN TIN OVER
 - 1.25 MICROMETER (50 MICROINCH) MIN NICKEL.
3. ACCEPTS 1.0 mm THICK MEMORY MODULE PER JEDEC MO-244 FOR 244 CKTS AND MO-258 FOR 200 CKTS.
4. PRODUCT SPECIFICATION : PS-87782-027
5. PRODUCT SHALL BE PACKED IN TRAY. PLS REFER TO SHEET 5

6. DATE CODE SHALL BE MARKED LEGIBLY AS SHOWN : YYDD

7. PART NUMBER SHALL BE MARKED LEGIBLY AS SHOWN. 87782-XXXX (REFER TO TABLE)



NEW COVER EC NO: S2010-0004 DRWN: TARUNUGHAM 2009/08/12 CHKD: CGTAN 2009/08/12 APPR: SILENI 2009/08/17	DESCRIPTION DIMM	QUALITY SYMBOLS	GENERAL TOLERANCES (UNLESS SPECIFIED)	DIMENSION STYLE	SCALE	DESIGN UNITS	THIRD ANGLE PROJECTION	
		$\nabla = 0$ $\square = 0$	mm INCH 4 PLACES ± --- ± --- 3 PLACES ± --- ± --- 2 PLACES ± 0.13 ± --- 1 PLACE ± 0.25 ± --- ANGULAR ± 1 °	MM ONLY	NTS	METRIC		
				DRAWN BY: MLONG DATE: 2003/01/07 CHECKED BY: DATE: APPROVED BY: DATE: 2003/07/16 SKTOH: DATE: 2003/07/17	TITLE	MINI DIMM, 0.60MM PITCH 200/244 CKTS, VERTICAL		
			DRAFT WHERE APPLICABLE MUST REMAIN WITHIN DIMENSIONS	SEE TABLE	MATERIAL NO. DOCUMENT NO. SKTOH 2003/07/17	MOLEX INCORPORATED SD-87782-001		
				SIZE A3	THIS DRAWING CONTAINS INFORMATION THAT IS PROPRIETARY TO MOLEX INCORPORATED AND SHOULD NOT BE USED WITHOUT WRITTEN PERMISSION			SHEET NO. 1 OF 6

10 9 8 7 6 5 4 3 2 1

F

E

D

C

B

A

F

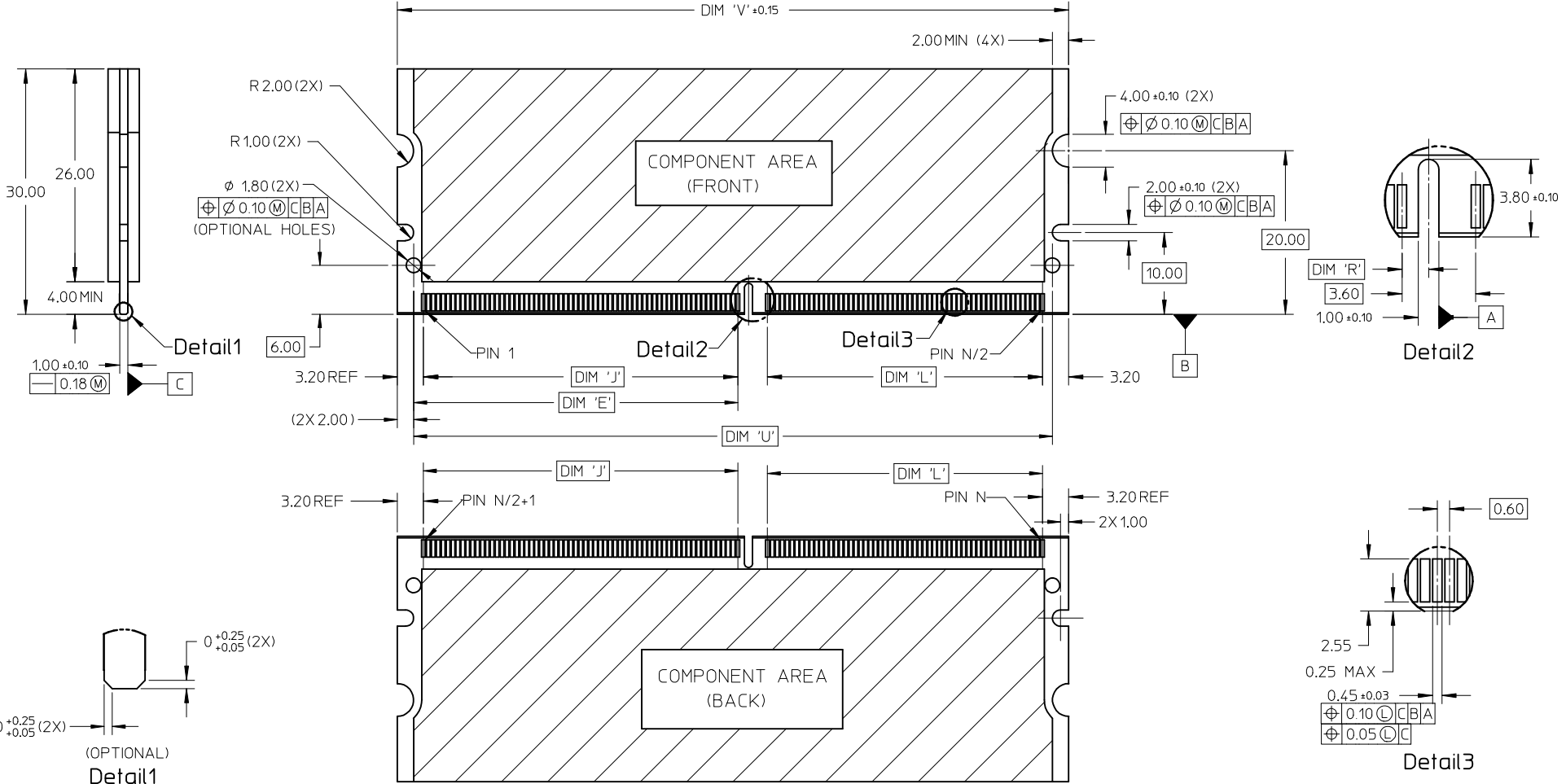
E

D

C

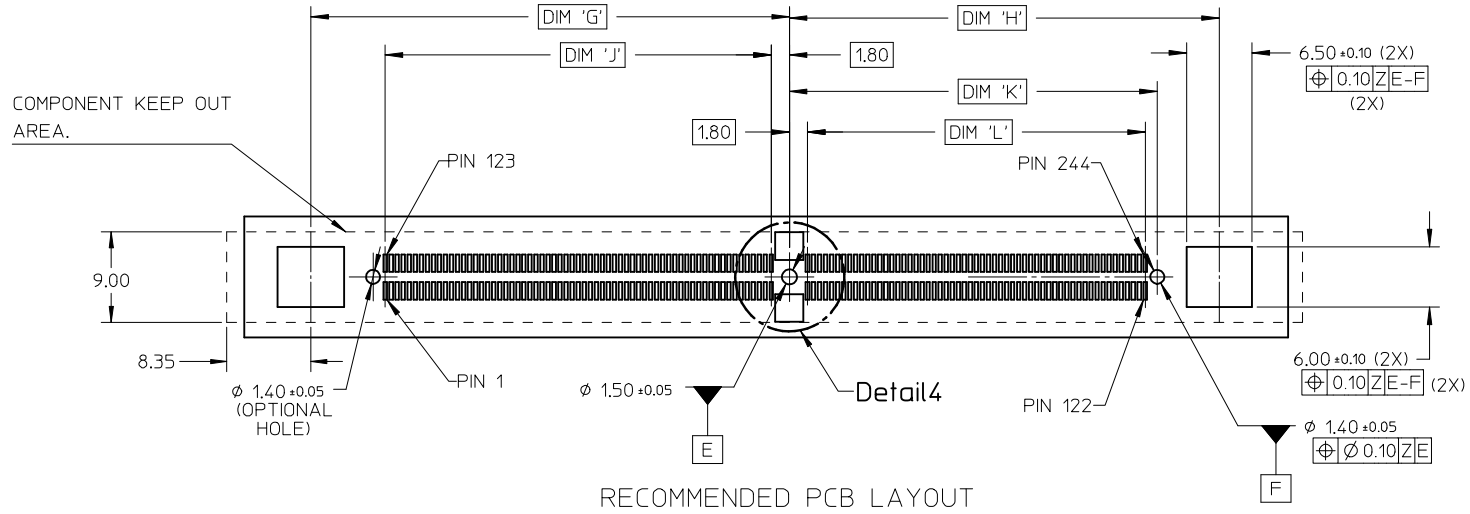
B

A

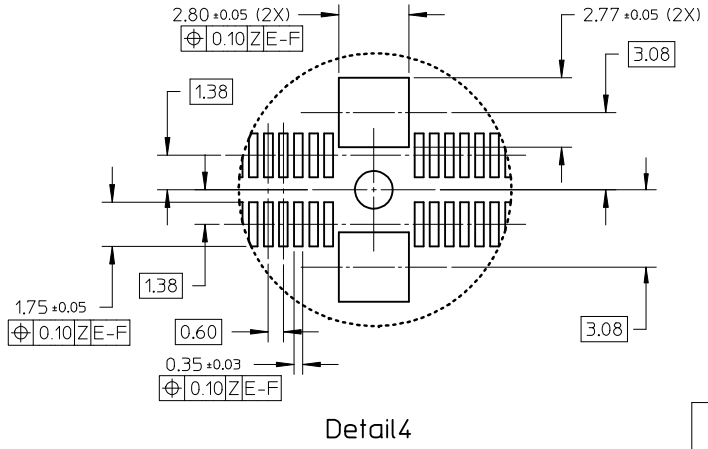


NEW COVER EC NO: S2010-0004 DRWN: TARUUGHAM 2009/08/12 CHKD: CGTAN 2009/08/12 APPR: SHLENI 2009/08/17	QUALITY SYMBOLS ▽=0 ◻=0	GENERAL TOLERANCES (UNLESS SPECIFIED) <table border="1"> <thead> <tr> <th></th> <th>mm</th> <th>INCH</th> </tr> </thead> <tbody> <tr> <td>4 PLACES</td> <td>± ---</td> <td>± ---</td> </tr> <tr> <td>3 PLACES</td> <td>± ---</td> <td>± ---</td> </tr> <tr> <td>2 PLACES</td> <td>± 0.13</td> <td>± ---</td> </tr> <tr> <td>1 PLACE</td> <td>± 0.25</td> <td>± ---</td> </tr> </tbody> </table>		mm	INCH	4 PLACES	± ---	± ---	3 PLACES	± ---	± ---	2 PLACES	± 0.13	± ---	1 PLACE	± 0.25	± ---	DIMENSION STYLE MM ONLY	SCALE NTS	DESIGN UNITS METRIC	THIRD ANGLE PROJECTION
		mm	INCH																		
	4 PLACES	± ---	± ---																		
	3 PLACES	± ---	± ---																		
2 PLACES	± 0.13	± ---																			
1 PLACE	± 0.25	± ---																			
DESCRIPTION SKTOH	DRAWN BY MLONG	DATE 2003/01/07	TITLE MINI DIMM, 0.60MM PITCH 200/244 CKTS, VERTICAL																		
MATERIAL NO.	CHECKED BY PTLIM	DATE 2003/07/16	MOLEX INCORPORATED																		
DRAFT WHERE APPLICABLE MUST REMAIN WITHIN DIMENSIONS	APPROVED BY SKTOH	DATE 2003/07/17	DOCUMENT NO. SD-87782-001	SHEET NO. 2 OF 6																	

9 8 7 6 5 4 3 2 1



RECOMMENDED PCB LAYOUT

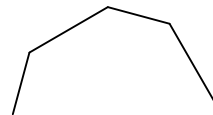
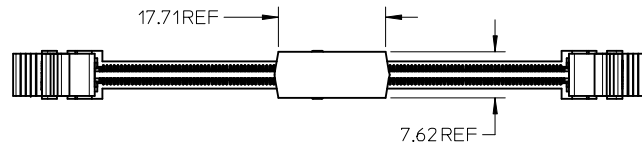
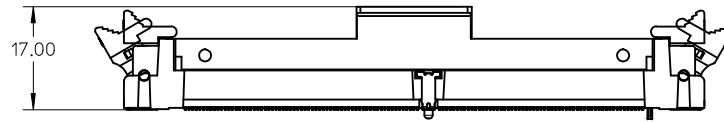


Detail4

NEW COVER EC NO: S2010-0004 DRAWN: TARUMUGHAM 2009/08/12 CHKD: CGTAN 2009/08/12 APPR: SILENI 2009/08/17	QUALITY SYMBOLS	GENERAL TOLERANCES (UNLESS SPECIFIED)		DIMENSION STYLE MM ONLY		SCALE NTS	DESIGN UNITS METRIC	THIRD ANGLE PROJECTION	
	$\nabla=0$	mm	INCH	DRAWN BY MLONG	DATE 2003/01/07	TITLE MINI DIMM, 0.60MM PITCH 200/244 CKTS, VERTICAL			
	$\nabla C=0$	4 PLACES \pm ---	\pm ---	CHECKED BY PTLIM	DATE 2003/07/16	MOLEX INCORPORATED			
		3 PLACES \pm ---	\pm ---	APPROVED BY SKTOH	DATE 2003/07/17	DOCUMENT NO. SD-87782-001	SHEET NO. 3 OF 6		
	2 PLACES \pm 0.13	\pm ---	MATERIAL NO. SEE TABLE		THIS DRAWING CONTAINS INFORMATION THAT IS PROPRIETARY TO MOLEX INCORPORATED AND SHOULD NOT BE USED WITHOUT WRITTEN PERMISSION				
	1 PLACE \pm 0.25	\pm ---	DRAFT WHERE APPLICABLE MUST REMAIN WITHIN DIMENSIONS						

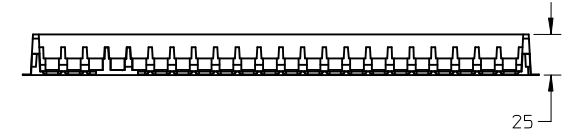
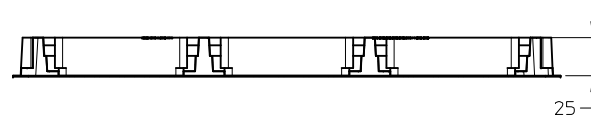
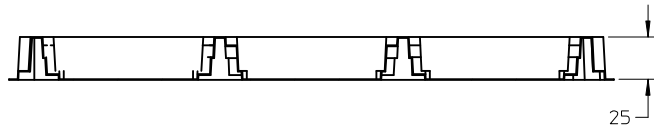
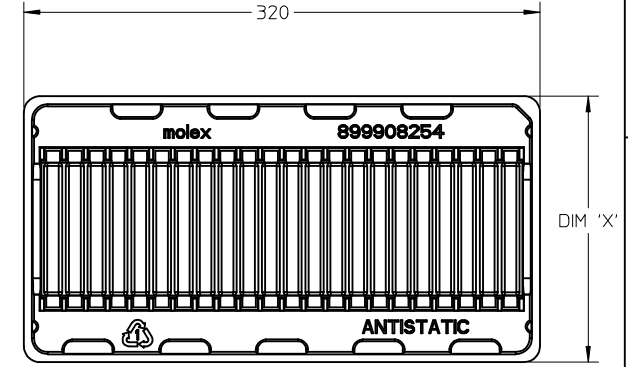
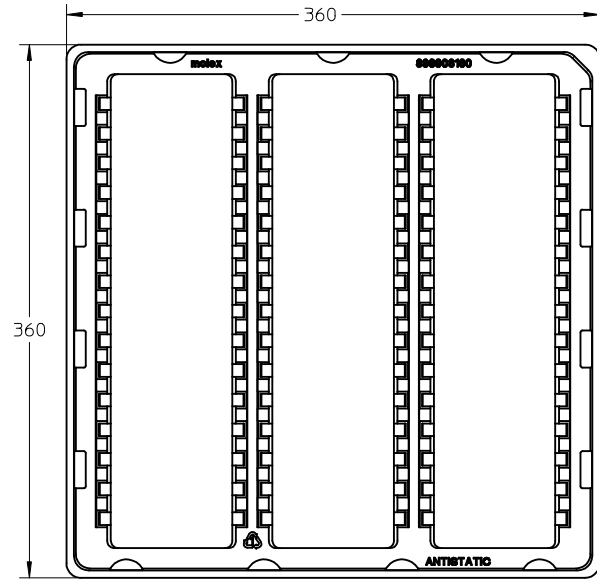
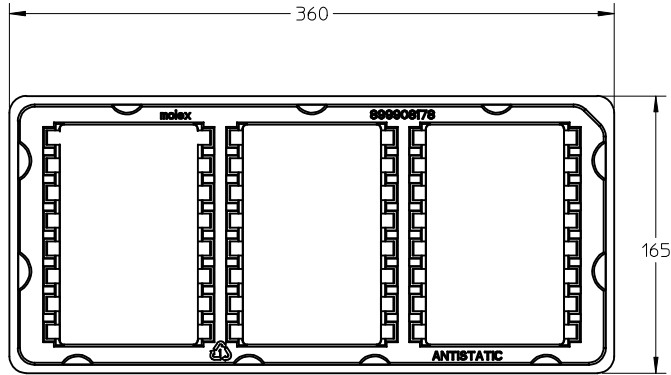
10 9 8 7 6 5 4 3 2 1

FOR OPTIONS WITH COVER



NEW COVER EC NO: S2010-0004 DRWN: TARUMUGHAM 2009/08/12 CHKD: CGTAN 2009/08/12 APPR: SHLENI 2009/08/17	DESCRIPTION REV	QUALITY SYMBOLS	GENERAL TOLERANCES (UNLESS SPECIFIED) <table border="1"> <thead> <tr> <th></th> <th>mm</th> <th>INCH</th> </tr> </thead> <tbody> <tr> <td>4 PLACES</td> <td>± ---</td> <td>± ---</td> </tr> <tr> <td>3 PLACES</td> <td>± ---</td> <td>± ---</td> </tr> <tr> <td>2 PLACES</td> <td>± 0.13</td> <td>± ---</td> </tr> <tr> <td>1 PLACE</td> <td>± 0.25</td> <td>± ---</td> </tr> </tbody> </table> ANGULAR ± 1 °		mm	INCH	4 PLACES	± ---	± ---	3 PLACES	± ---	± ---	2 PLACES	± 0.13	± ---	1 PLACE	± 0.25	± ---	DIMENSION STYLE	SCALE	DESIGN UNITS	THIRD ANGLE PROJECTION
				mm	INCH																	
		4 PLACES		± ---	± ---																	
		3 PLACES		± ---	± ---																	
2 PLACES	± 0.13	± ---																				
1 PLACE	± 0.25	± ---																				
▽=0 □=0	MM ONLY	NTS	METRIC	DRAWN BY: MLONG DATE: 2003/01/07 CHECKED BY: PTLIM DATE: 2003/07/16 APPROVED BY: SKTOH DATE: 2003/07/17	TITLE MINI DIMM, 0.60MM PITCH 200/244 CKTS, VERTICAL																	
	DRAFT WHERE APPLICABLE MUST REMAIN WITHIN DIMENSIONS	SEE TABLE	MATERIAL NO. MOLEX INCORPORATED		DOCUMENT NO. SD-87782-001	SHEET NO. 4 OF 6																
			SIZE A3	THIS DRAWING CONTAINS INFORMATION THAT IS PROPRIETARY TO MOLEX INCORPORATED AND SHOULD NOT BE USED WITHOUT WRITTEN PERMISSION																		

9 8 7 6 5 4 3 2 1



TRAY TYPE A
 QTY OF CAVITY: 3 X 8 = 24 PCS
 COLOUR: TRANSPARENT

TRAY TYPE B
 QTY OF CAVITY: 3 X 15 = 45 PCS
 COLOUR: TRANSPARENT

TRAY TYPE AND COLOUR - SEE TABLE
 QTY OF CAVITY: 1 X 22 = 22 PCS
 COLOUR - SEE TABLE

TRAY TYPE	DIM 'X'	TRAY COLOUR
C	165	TRANSPARENT
D	160	WHITE

NEW COVER EC NO: S2010-0004 DRWN: TARUMUGHAM 2009/08/12 CHKD: CGTAN 2009/08/12 APPR: SILENI 2009/08/17	QUALITY SYMBOLS	GENERAL TOLERANCES (UNLESS SPECIFIED)		DIMENSION STYLE MM ONLY		SCALE NTS	DESIGN UNITS METRIC	THIRD ANGLE PROJECTION																													
	= 0 = 0	<table border="1"> <tr> <td></td> <td>mm</td> <td>INCH</td> </tr> <tr> <td>4 PLACES</td> <td>± ---</td> <td>± ---</td> </tr> <tr> <td>3 PLACES</td> <td>± ---</td> <td>± ---</td> </tr> <tr> <td>2 PLACES</td> <td>± 0.13</td> <td>± ---</td> </tr> <tr> <td>1 PLACE</td> <td>± 0.25</td> <td>± ---</td> </tr> </table>		mm	INCH	4 PLACES	± ---	± ---	3 PLACES	± ---	± ---	2 PLACES	± 0.13	± ---	1 PLACE	± 0.25	± ---	<table border="1"> <tr> <td>DRAWN BY</td> <td>DATE</td> </tr> <tr> <td>MLONG</td> <td>2003/01/07</td> </tr> <tr> <td>CHECKED BY</td> <td>DATE</td> </tr> <tr> <td>PTL IM</td> <td>2003/07/16</td> </tr> <tr> <td>APPROVED BY</td> <td>DATE</td> </tr> <tr> <td>SKTOH</td> <td>2003/07/17</td> </tr> </table>	DRAWN BY	DATE	MLONG	2003/01/07	CHECKED BY	DATE	PTL IM	2003/07/16	APPROVED BY	DATE	SKTOH	2003/07/17	TITLE		MOLEX INCORPORATED		DOCUMENT NO.	SHEET NO.	
		mm	INCH																																		
	4 PLACES	± ---	± ---																																		
3 PLACES	± ---	± ---																																			
2 PLACES	± 0.13	± ---																																			
1 PLACE	± 0.25	± ---																																			
DRAWN BY	DATE																																				
MLONG	2003/01/07																																				
CHECKED BY	DATE																																				
PTL IM	2003/07/16																																				
APPROVED BY	DATE																																				
SKTOH	2003/07/17																																				
DESCRIPTION	DRAFT WHERE APPLICABLE MUST REMAIN WITHIN DIMENSIONS		SEE TABLE		SD-87782-001		5 OF 6																														

CKT SIZE 'N'	PART NUMBER	MODULE CARD	VOLTAGE KEY	DIM 'R'	DIM 'J'	DIM 'K'	DIM 'L'	DIM 'N'	DIM 'A'	DIM 'S'	DIM 'T'	DIM 'E'	DIM 'U'	DIM 'V'	DIM 'G'	DIM 'H'	DIM 'B'	COVER	TRAY
244	87782-2001	DDR2	1.8 V	1.30	38.40	36.60	33.60	79.00	96.0	96.0	106.20	39.60	78.00	82.00	47.60	42.75	75.60	NIL	TYPE A
244	87782-2003	DDR2	1.8 V	1.30	38.40	36.60	33.60	79.00	96.0	96.0	106.20	39.60	78.00	82.00	47.60	42.75	75.60	YES	TYPE B
	87782-3003	DDR3	1.5 V	2.30														YES	TYPE B
244	87782-2005	DDR2	1.8 V	1.30	38.40	36.60	33.60	79.00	96.0	96.0	106.20	39.60	78.00	82.00	47.60	42.75	75.60	YES	TYPE A
	87782-3005	DDR3	1.5 V	2.30														YES	TYPE A
244	87782-2007	DDR2	1.8 V	1.30	38.40	36.60	33.60	79.00	96.0	96.0	106.20	39.60	78.00	82.00	47.60	42.75	75.60	YES	TYPE C
	87782-3007	DDR3	1.5 V	2.30														YES	TYPE C
244	87782-2009	DDR2	1.8 V	1.30	38.40	36.60	33.60	79.00	96.0	96.0	106.20	39.60	78.00	82.00	47.60	42.75	75.60	YES	TYPE D
	87782-3009	DDR3	1.5 V	2.30														YES	TYPE D
200	87782-2201	DDR2	1.8 V	1.30	23.40	38.40	35.40	65.80	82.8	82.8	93.00	24.60	64.80	68.80	32.60	44.55	62.40	NIL	TYPE A
	87782-2202	DDR	2.5 V	2.30														NIL	TYPE A
200	87782-2203	DDR2	1.8 V	1.30	23.40	38.40	35.40	65.80	82.8	82.8	93.00	24.60	64.80	68.80	32.60	44.55	62.40	YES	TYPE A
	87782-2204	DDR	2.5 V	2.30														YES	TYPE A

NEW COVER EC NO: S2010-0004 TDRWN: TARUMUGHAM 2009/08/12 CHKD: CGTAN 2009/08/12 APPR: SHLENI 2009/08/17	DESCRIPTION REV	QUALITY SYMBOLS	GENERAL TOLERANCES (UNLESS SPECIFIED)	DIMENSION STYLE	SCALE	DESIGN UNITS	THIRD ANGLE PROJECTION
		$\nabla = 0$ $\square = 0$	mm INCH	MM ONLY	NTS	METRIC	
		4 PLACES \pm --- \pm --- 3 PLACES \pm --- \pm --- 2 PLACES \pm 0.13 \pm --- 1 PLACE \pm 0.25 \pm --- ANGULAR \pm 1 °	DRAWN BY DATE MLONG 2003/01/07 CHECKED BY DATE PTL IM 2003/07/16 APPROVED BY DATE SKTOH 2003/07/17	TITLE MINI DIMM, 0.60MM PITCH 200/244 CKTS, VERTICAL			
		DRAFT WHERE APPLICABLE MUST REMAIN WITHIN DIMENSIONS	MATERIAL NO. SEE TABLE SIZE A3	MOLEX INCORPORATED DOCUMENT NO. SD-87782-001 SHEET NO. 6 OF 6			