

**PLEASE CHECK WWW.MOLEX.COM FOR LATEST PART INFORMATION**

**Part Number:** [0906270135](#)  
**Status:** **Active**  
**Overview:** [cgrid\\_iii](#)  
**Description:** 2.54mm (.100") Pitch C-Grid III™ Header, Single Row, Vertical, with Kinked PC Tail, 15 Circuits, Tin (Sn) Plating

**Documents:**

[3D Model](#) [RoHS Certificate of Compliance \(PDF\)](#)  
[Drawing \(PDF\)](#)

**General**

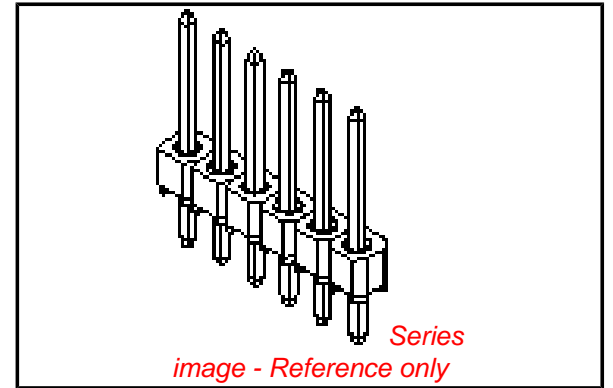
|                |                           |
|----------------|---------------------------|
| Product Family | PCB Headers               |
| Series         | <a href="#">90627</a>     |
| Application    | Wire-to-Board             |
| Overview       | <a href="#">cgrid_iii</a> |
| Product Name   | C-Grid III™               |

**Physical**

|                                |                 |
|--------------------------------|-----------------|
| Breakaway                      | Yes             |
| Circuits (Loaded)              | 15              |
| Circuits (maximum)             | 15              |
| Color - Resin                  | Black           |
| First Mate / Last Break        | No              |
| Glow-Wire Compliant            | No              |
| Guide to Mating Part           | No              |
| Keying to Mating Part          | None            |
| Lock to Mating Part            | None            |
| Material - Metal               | Brass           |
| Material - Plating Mating      | Tin             |
| Material - Plating Termination | Tin             |
| Material - Resin               | Polyester       |
| Number of Rows                 | 1               |
| Orientation                    | Vertical        |
| PC Tail Length (in)            | 0.114 In        |
| PC Tail Length (mm)            | 2.90 mm         |
| PCB Locator                    | No              |
| PCB Retention                  | Yes             |
| PCB Thickness Recommended (in) | 0.061 In        |
| PCB Thickness Recommended (mm) | 1.50 mm         |
| Packaging Type                 | Bag             |
| Pitch - Mating Interface (in)  | 0.100 In        |
| Pitch - Mating Interface (mm)  | 2.54 mm         |
| Plating min: Mating (µin)      | 120             |
| Plating min: Mating (µm)       | 3               |
| Plating min: Termination (µin) | 120             |
| Plating min: Termination (µm)  | 3               |
| Polarized to Mating Part       | No              |
| Polarized to PCB               | No              |
| Shrouded                       | No              |
| Stackable                      | No              |
| Temperature Range - Operating  | -55°C to +125°C |
| Termination Interface: Style   | Through Hole    |

**Electrical**

|                               |      |
|-------------------------------|------|
| Current - Maximum per Contact | 3A   |
| Voltage - Maximum             | 350V |



**EU RoHS**

**ELV and RoHS  
Compliant**  
**REACH SVHC  
Not Reviewed**  
**Halogen-Free  
Status**

**China RoHS**



**Need more information on product  
environmental compliance?**

Email [productcompliance@molex.com](mailto:productcompliance@molex.com)  
 For a multiple part number RoHS Certificate of Compliance, [click here](#)

Please visit the [Contact Us](#) section for any non-product compliance questions.

**Search Parts in this Series**  
[90627Series](#)

**Material Info**

**Reference - Drawing Numbers**

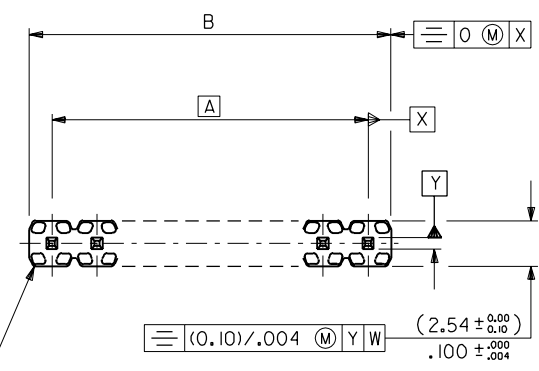
Sales Drawing

SDA-90627

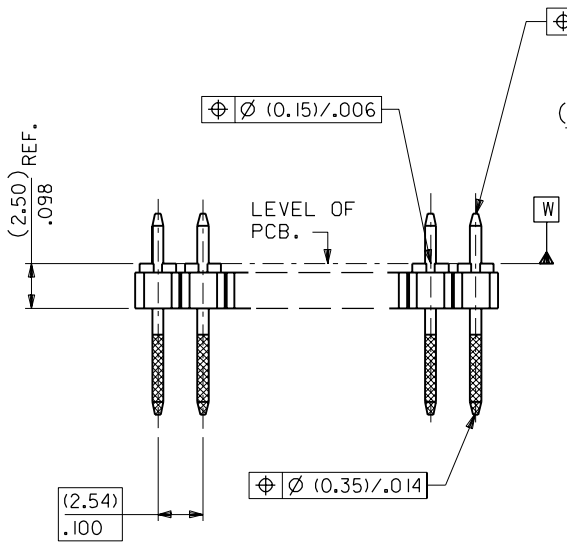
This document was generated on 05/26/2010

**PLEASE CHECK [WWW.MOLEX.COM](http://WWW.MOLEX.COM) FOR LATEST PART INFORMATION**

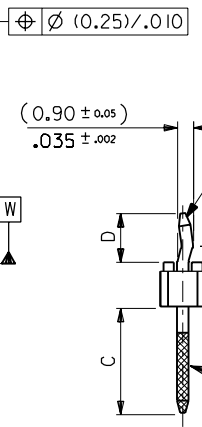
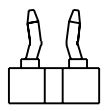
PART NO. SEE CHART  
 DWG. NO. SDA-90627



WAFER: 15% G.F. POLYESTER  
 TO UL 94V-0.  
 COLOUR : BLACK.



OPPOSING KINKS  
 VEIW SHOWS 1 X 2 CCT ONLY



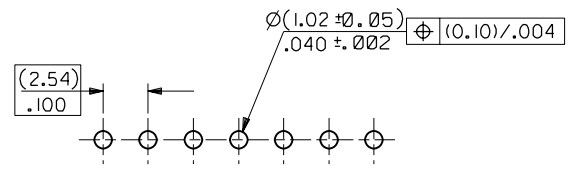
PINS: (0.635)±.025 SQ.  
 BRASS WIRE.  
 PLATED AS PER  
 SUBSEQUENT SHEETS

STRAIGHT PINS  
 OMITTED FROM VIEW

| CKT SIZE | DIM. "A" |       | DIM. "B" (+0.20) ±.008 |       | CKT SIZE | DIM. "A" |       | DIM. "B" (+0.20) ±.008 |       |
|----------|----------|-------|------------------------|-------|----------|----------|-------|------------------------|-------|
| 1X 1     |          |       | (2.54)                 | .100  | 1X21     | (50.80)  | 2.000 | (53.34)                | 2.100 |
| 1X 2     | (2.54)   | .100  | (5.08)                 | .200  | 1X22     | (53.34)  | 2.100 | (55.88)                | 2.200 |
| 1X 3     | (5.08)   | .200  | (7.62)                 | .300  | 1X23     | (55.88)  | 2.200 | (58.42)                | 2.300 |
| 1X 4     | (7.62)   | .300  | (10.16)                | .400  | 1X24     | (58.42)  | 2.300 | (60.96)                | 2.400 |
| 1X 5     | (10.16)  | .400  | (12.70)                | .500  | 1X25     | (60.96)  | 2.400 | (63.50)                | 2.500 |
| 1X 6     | (12.70)  | .500  | (15.24)                | .600  | 1X26     | (63.50)  | 2.500 | (66.04)                | 2.600 |
| 1X 7     | (15.24)  | .600  | (17.78)                | .700  | 1X27     | (66.04)  | 2.600 | (68.58)                | 2.700 |
| 1X 8     | (17.78)  | .700  | (20.32)                | .800  | 1X28     | (68.58)  | 2.700 | (71.12)                | 2.800 |
| 1X 9     | (20.32)  | .800  | (22.86)                | .900  | 1X29     | (71.12)  | 2.800 | (73.66)                | 2.900 |
| 1X10     | (22.86)  | .900  | (25.40)                | 1.000 | 1X30     | (73.66)  | 2.900 | (76.20)                | 3.000 |
| 1X11     | (25.40)  | 1.000 | (27.94)                | 1.100 | 1X31     | (76.20)  | 3.000 | (78.74)                | 3.100 |
| 1X12     | (27.94)  | 1.100 | (30.48)                | 1.200 | 1X32     | (78.74)  | 3.100 | (81.28)                | 3.200 |
| 1X13     | (30.48)  | 1.200 | (33.02)                | 1.300 | 1X33     | (81.28)  | 3.200 | (83.82)                | 3.300 |
| 1X14     | (33.02)  | 1.300 | (35.56)                | 1.400 | 1X34     | (83.82)  | 3.300 | (86.36)                | 3.400 |
| 1X15     | (35.56)  | 1.400 | (38.10)                | 1.500 | 1X35     | (86.36)  | 3.400 | (88.90)                | 3.500 |
| 1X16     | (38.10)  | 1.500 | (40.64)                | 1.600 | 1X36     | (88.90)  | 3.500 | (91.44)                | 3.600 |
| 1X17     | (40.64)  | 1.600 | (43.18)                | 1.700 | 1X37     | (91.44)  | 3.600 | (93.98)                | 3.700 |
| 1X18     | (43.18)  | 1.700 | (45.72)                | 1.800 | 1X38     | (93.98)  | 3.700 | (96.52)                | 3.800 |
| 1X19     | (45.72)  | 1.800 | (48.26)                | 1.900 | 1X39     | (96.52)  | 3.800 | (99.06)                | 3.900 |
| 1X20     | (48.26)  | 1.900 | (50.80)                | 2.000 | 1X40     | (99.06)  | 3.900 | (101.60)               | 4.000 |

NOTES

- FOR ASSY NUMBERS WITH FINISH OPTIONS AND DIM'S C & D SEE SUBSEQUENT SHEETS.
- PCB THICKNESS: (1.37-1.80)±.054-.071.



RECOMMENDED P.C. BOARD HOLE PATTERN

|     |      |
|-----|------|
| 2   | B    |
| 1   | B    |
| SHL | REV. |

FOR PREVIOUS  
 DRAWING ISSUES  
 SEE MRI.

NEW RELEASE  
 ECN E00166  
 10 SEPTEMBER 1990 RD

|   |   |
|---|---|
| DIMENSIONS SHOWN ( METRIC ) INCH                      |   |
| UNLESS OTHERWISE SPECIFIED TOLERANCES: ANGULAR ± 1/2° |   |
| INCH ( METRIC )                                       |   |
| 3 PLACE ± . ---                                       |   |
| 2 PLACE ± .004 ± .10                                  |   |
| 1 PLACE ± .25   |   |
| DRAFT WHERE APPLICABLE MUST REMAIN WITHIN DIMENSIONS  |   |
| DESIGN DIMENSION ( PRIMARY )                          | <input checked="" type="checkbox"/> (MM) <input type="checkbox"/> IN. |
| EQUIVALENT DIMENSION ( SECONDARY )                    | <input type="checkbox"/> (MM) <input checked="" type="checkbox"/> IN. |

DRWG BY RD  
 CHK'D BY  
 APP'D BY  
 SCALE 4:1

REVISE ONLY ON CAD SYSTEM

CAD/CAM FILENAME: SA90627X1 DGN

THIS DRAWING CONTAINS INFORMATION THAT IS PROPRIETARY TO MOLEX INC. & SHOULD NOT BE USED WITHOUT WRITTEN PERMISSION

TITLE: C-GRID III SINGLE ROW KINKED PIN HEADER

MOLEX MOLEX EUROPE

SHEET NO. DATE: 10F2 90/11/28

PART NO. SEE CHART DWG NO. SDA-90627 SIZE B

|  | 10   | 9  | 8   | 7                       | 6   | 5            | 4                       | 3                       | 2  | 1                   |                                |            |            |                           |   |       |            |   |            |            |                                |            |   |            |             |       |          |   |         |   |       |             |       |          |           |       |       |  |       |   |  |       |       |       |  |       |       |   |       |   |       |  |       |       |   |        |       |       |       |   |        |       |       |       |          |        |       |       |       |          |        |       |       |       |          |        |       |       |       |          |        |       |       |       |          |        |       |       |       |          |        |       |       |       |          |        |       |       |       |          |        |       |       |       |           |        |       |       |       |           |        |       |       |       |           |        |       |       |       |           |        |       |       |       |           |        |       |       |       |           |        |       |       |       |           |        |       |       |       |           |        |       |       |       |           |        |       |       |       |           |        |       |       |       |           |        |       |       |       |           |        |       |       |       |           |        |       |       |       |           |        |       |       |       |           |        |       |       |       |           |        |       |       |       |           |        |       |       |       |           |        |       |       |       |           |        |       |       |       |           |        |         |         |         |           |        |            |            |            |           |  |  |  |  |  |  |  |  |  |
|--|--|--|---|-------------------------|---|--------------|-------------------------|-------------------------|--|---------------------|--------------------------------|------------|------------|---------------------------|---|-------|------------|---|------------|------------|--------------------------------|------------|---|------------|-------------|-------|----------|---|---------|---|-------|-------------|-------|----------|-----------|-------|-------|--|-------|---|--|-------|-------|-------|--|-------|-------|---|-------|---|-------|--|-------|-------|---|--------|-------|-------|-------|---|--------|-------|-------|-------|----------|--------|-------|-------|-------|----------|--------|-------|-------|-------|----------|--------|-------|-------|-------|----------|--------|-------|-------|-------|----------|--------|-------|-------|-------|----------|--------|-------|-------|-------|----------|--------|-------|-------|-------|----------|--------|-------|-------|-------|-----------|--------|-------|-------|-------|-----------|--------|-------|-------|-------|-----------|--------|-------|-------|-------|-----------|--------|-------|-------|-------|-----------|--------|-------|-------|-------|-----------|--------|-------|-------|-------|-----------|--------|-------|-------|-------|-----------|--------|-------|-------|-------|-----------|--------|-------|-------|-------|-----------|--------|-------|-------|-------|-----------|--------|-------|-------|-------|-----------|--------|-------|-------|-------|-----------|--------|-------|-------|-------|-----------|--------|-------|-------|-------|-----------|--------|-------|-------|-------|-----------|--------|-------|-------|-------|-----------|--------|-------|-------|-------|-----------|--------|-------|-------|-------|-----------|--------|-------|-------|-------|-----------|--------|---------|---------|---------|-----------|--------|------------|------------|------------|-----------|--|--|--|--|--|--|--|--|--|
| F  | PART NO. SEE CHART<br>DWG. NO. SDA-90627<br><br>DIM C<br>(+0.25)<br>(+0.10)<br>(6.75)<br>.266<br><br>DIM D<br>(+0.30)<br>(+0.12)<br>(2.90)<br>.114 | <table border="1"> <thead> <tr> <th>CIRCUIT SIZE</th> <th>PLATING TYPE A PART NO.</th> <th>PLATING TYPE E PART NO.</th> <th>PLATING TYPE F PART NO.</th> <th>KINKED PIN POSITION</th> </tr> </thead> <tbody> <tr><td>1 X 1</td><td>90627-0121</td><td>90627-0761</td><td>90627-0921</td><td>嘴</td></tr> <tr><td>1 X 2</td><td>90628-0121</td><td>90628-0761</td><td>90628-0921</td><td>SEE NOTE 1</td></tr> <tr><td>1 X 3</td><td>90627-0123</td><td>90627-0763</td><td>90627-0923</td><td>嘴</td></tr> <tr><td>1 X 4</td><td>↑ -0124</td><td>↑ -0764</td><td>↑ -0924</td><td>嘴</td></tr> <tr><td>1 X 5</td><td>-0125</td><td>-0765</td><td>-0925</td><td>嘴</td></tr> <tr><td>1 X 6</td><td>-0126</td><td>-0766</td><td>-0926</td><td>嘴</td></tr> <tr><td>1 X 7</td><td>-0127</td><td>-0767</td><td>-0927</td><td>嘴</td></tr> <tr><td>1 X 8</td><td>-0128</td><td>-0768</td><td>-0928</td><td>嘴</td></tr> <tr><td>1 X 9</td><td>-0129</td><td>-0769</td><td>-0929</td><td>嘴</td></tr> <tr><td>1 X 10</td><td>-0130</td><td>-0770</td><td>-0930</td><td>嘴</td></tr> <tr><td>1 X 11</td><td>-0131</td><td>-0771</td><td>-0931</td><td>1.6 &amp; 11</td></tr> <tr><td>1 X 12</td><td>-0132</td><td>-0772</td><td>-0932</td><td>1.6 &amp; 12</td></tr> <tr><td>1 X 13</td><td>-0133</td><td>-0773</td><td>-0933</td><td>1.7 &amp; 13</td></tr> <tr><td>1 X 14</td><td>-0134</td><td>-0774</td><td>-0934</td><td>1.7 &amp; 14</td></tr> <tr><td>1 X 15</td><td>-0135</td><td>-0775</td><td>-0935</td><td>1.8 &amp; 15</td></tr> <tr><td>1 X 16</td><td>-0136</td><td>-0776</td><td>-0936</td><td>1.8 &amp; 16</td></tr> <tr><td>1 X 17</td><td>-0137</td><td>-0777</td><td>-0937</td><td>1.9 &amp; 17</td></tr> <tr><td>1 X 18</td><td>-0138</td><td>-0778</td><td>-0938</td><td>1.9 &amp; 18</td></tr> <tr><td>1 X 19</td><td>-0139</td><td>-0779</td><td>-0939</td><td>1.10 &amp; 19</td></tr> <tr><td>1 X 20</td><td>-0140</td><td>-0780</td><td>-0940</td><td>1.10 &amp; 20</td></tr> <tr><td>1 X 21</td><td>-0141</td><td>-0781</td><td>-0941</td><td>1.11 &amp; 21</td></tr> <tr><td>1 X 22</td><td>-0142</td><td>-0782</td><td>-0942</td><td>1.11 &amp; 22</td></tr> <tr><td>1 X 23</td><td>-0143</td><td>-0783</td><td>-0943</td><td>1.12 &amp; 23</td></tr> <tr><td>1 X 24</td><td>-0144</td><td>-0784</td><td>-0944</td><td>1.12 &amp; 24</td></tr> <tr><td>1 X 25</td><td>-0145</td><td>-0785</td><td>-0945</td><td>1.13 &amp; 25</td></tr> <tr><td>1 X 26</td><td>-0146</td><td>-0786</td><td>-0946</td><td>1.13 &amp; 26</td></tr> <tr><td>1 X 27</td><td>-0147</td><td>-0787</td><td>-0947</td><td>1.14 &amp; 27</td></tr> <tr><td>1 X 28</td><td>-0148</td><td>-0788</td><td>-0948</td><td>1.14 &amp; 28</td></tr> <tr><td>1 X 29</td><td>-0149</td><td>-0789</td><td>-0949</td><td>1.15 &amp; 29</td></tr> <tr><td>1 X 30</td><td>-0150</td><td>-0790</td><td>-0950</td><td>1.15 &amp; 30</td></tr> <tr><td>1 X 31</td><td>-0151</td><td>-0791</td><td>-0951</td><td>1.16 &amp; 31</td></tr> <tr><td>1 X 32</td><td>-0152</td><td>-0792</td><td>-0952</td><td>1.16 &amp; 32</td></tr> <tr><td>1 X 33</td><td>-0153</td><td>-0793</td><td>-0953</td><td>1.17 &amp; 33</td></tr> <tr><td>1 X 34</td><td>-0154</td><td>-0794</td><td>-0954</td><td>1.17 &amp; 34</td></tr> <tr><td>1 X 35</td><td>-0155</td><td>-0795</td><td>-0955</td><td>1.18 &amp; 35</td></tr> <tr><td>1 X 36</td><td>-0156</td><td>-0796</td><td>-0956</td><td>1.18 &amp; 36</td></tr> <tr><td>1 X 37</td><td>-0157</td><td>-0797</td><td>-0957</td><td>1.19 &amp; 37</td></tr> <tr><td>1 X 38</td><td>-0158</td><td>-0798</td><td>-0958</td><td>1.19 &amp; 38</td></tr> <tr><td>1 X 39</td><td>↓ -0159</td><td>↓ -0799</td><td>↓ -0959</td><td>1.20 &amp; 39</td></tr> <tr><td>1 X 40</td><td>90627-0160</td><td>90627-0800</td><td>90627-0960</td><td>1.20 &amp; 40</td></tr> </tbody> </table> |   |                         |   | CIRCUIT SIZE | PLATING TYPE A PART NO. | PLATING TYPE E PART NO. | PLATING TYPE F PART NO.  | KINKED PIN POSITION | 1 X 1                          | 90627-0121 | 90627-0761 | 90627-0921                | 嘴 | 1 X 2 | 90628-0121 | 90628-0761  | 90628-0921 | SEE NOTE 1 | 1 X 3                          | 90627-0123 | 90627-0763  | 90627-0923 | 嘴           | 1 X 4 | ↑ -0124  | ↑ -0764   | ↑ -0924 | 嘴 | 1 X 5 | -0125       | -0765 | -0925    | 嘴         | 1 X 6 | -0126 | -0766  | -0926 | 嘴 | 1 X 7  | -0127 | -0767 | -0927 | 嘴  | 1 X 8 | -0128 | -0768   | -0928 | 嘴 | 1 X 9 | -0129  | -0769 | -0929 | 嘴 | 1 X 10 | -0130 | -0770 | -0930 | 嘴 | 1 X 11 | -0131 | -0771 | -0931 | 1.6 & 11 | 1 X 12 | -0132 | -0772 | -0932 | 1.6 & 12 | 1 X 13 | -0133 | -0773 | -0933 | 1.7 & 13 | 1 X 14 | -0134 | -0774 | -0934 | 1.7 & 14 | 1 X 15 | -0135 | -0775 | -0935 | 1.8 & 15 | 1 X 16 | -0136 | -0776 | -0936 | 1.8 & 16 | 1 X 17 | -0137 | -0777 | -0937 | 1.9 & 17 | 1 X 18 | -0138 | -0778 | -0938 | 1.9 & 18 | 1 X 19 | -0139 | -0779 | -0939 | 1.10 & 19 | 1 X 20 | -0140 | -0780 | -0940 | 1.10 & 20 | 1 X 21 | -0141 | -0781 | -0941 | 1.11 & 21 | 1 X 22 | -0142 | -0782 | -0942 | 1.11 & 22 | 1 X 23 | -0143 | -0783 | -0943 | 1.12 & 23 | 1 X 24 | -0144 | -0784 | -0944 | 1.12 & 24 | 1 X 25 | -0145 | -0785 | -0945 | 1.13 & 25 | 1 X 26 | -0146 | -0786 | -0946 | 1.13 & 26 | 1 X 27 | -0147 | -0787 | -0947 | 1.14 & 27 | 1 X 28 | -0148 | -0788 | -0948 | 1.14 & 28 | 1 X 29 | -0149 | -0789 | -0949 | 1.15 & 29 | 1 X 30 | -0150 | -0790 | -0950 | 1.15 & 30 | 1 X 31 | -0151 | -0791 | -0951 | 1.16 & 31 | 1 X 32 | -0152 | -0792 | -0952 | 1.16 & 32 | 1 X 33 | -0153 | -0793 | -0953 | 1.17 & 33 | 1 X 34 | -0154 | -0794 | -0954 | 1.17 & 34 | 1 X 35 | -0155 | -0795 | -0955 | 1.18 & 35 | 1 X 36 | -0156 | -0796 | -0956 | 1.18 & 36 | 1 X 37 | -0157 | -0797 | -0957 | 1.19 & 37 | 1 X 38 | -0158 | -0798 | -0958 | 1.19 & 38 | 1 X 39 | ↓ -0159 | ↓ -0799 | ↓ -0959 | 1.20 & 39 | 1 X 40 | 90627-0160 | 90627-0800 | 90627-0960 | 1.20 & 40 |  |  |  |  |  |  |  |  |  |
| CIRCUIT SIZE   |  | PLATING TYPE A PART NO.  | PLATING TYPE E PART NO.                                 | PLATING TYPE F PART NO. | KINKED PIN POSITION   |              |                         |                         |  |                     |                                |            |            |                           |   |       |            |   |            |            |                                |            |   |            |             |       |          |   |         |   |       |             |       |          |           |       |       |  |       |   |  |       |       |       |  |       |       |   |       |   |       |  |       |       |   |        |       |       |       |   |        |       |       |       |          |        |       |       |       |          |        |       |       |       |          |        |       |       |       |          |        |       |       |       |          |        |       |       |       |          |        |       |       |       |          |        |       |       |       |          |        |       |       |       |           |        |       |       |       |           |        |       |       |       |           |        |       |       |       |           |        |       |       |       |           |        |       |       |       |           |        |       |       |       |           |        |       |       |       |           |        |       |       |       |           |        |       |       |       |           |        |       |       |       |           |        |       |       |       |           |        |       |       |       |           |        |       |       |       |           |        |       |       |       |           |        |       |       |       |           |        |       |       |       |           |        |       |       |       |           |        |       |       |       |           |        |       |       |       |           |        |         |         |         |           |        |            |            |            |           |  |  |  |  |  |  |  |  |  |
| 1 X 1  |  | 90627-0121   | 90627-0761  | 90627-0921              | 嘴   |              |                         |                         |  |                     |                                |            |            |                           |   |       |            |   |            |            |                                |            |   |            |             |       |          |   |         |   |       |             |       |          |           |       |       |  |       |   |  |       |       |       |  |       |       |   |       |   |       |  |       |       |   |        |       |       |       |   |        |       |       |       |          |        |       |       |       |          |        |       |       |       |          |        |       |       |       |          |        |       |       |       |          |        |       |       |       |          |        |       |       |       |          |        |       |       |       |          |        |       |       |       |           |        |       |       |       |           |        |       |       |       |           |        |       |       |       |           |        |       |       |       |           |        |       |       |       |           |        |       |       |       |           |        |       |       |       |           |        |       |       |       |           |        |       |       |       |           |        |       |       |       |           |        |       |       |       |           |        |       |       |       |           |        |       |       |       |           |        |       |       |       |           |        |       |       |       |           |        |       |       |       |           |        |       |       |       |           |        |       |       |       |           |        |       |       |       |           |        |         |         |         |           |        |            |            |            |           |  |  |  |  |  |  |  |  |  |
| 1 X 2  |  | 90628-0121   | 90628-0761  | 90628-0921              | SEE NOTE 1  |              |                         |                         |  |                     |                                |            |            |                           |   |       |            |   |            |            |                                |            |   |            |             |       |          |   |         |   |       |             |       |          |           |       |       |  |       |   |  |       |       |       |  |       |       |   |       |   |       |  |       |       |   |        |       |       |       |   |        |       |       |       |          |        |       |       |       |          |        |       |       |       |          |        |       |       |       |          |        |       |       |       |          |        |       |       |       |          |        |       |       |       |          |        |       |       |       |          |        |       |       |       |           |        |       |       |       |           |        |       |       |       |           |        |       |       |       |           |        |       |       |       |           |        |       |       |       |           |        |       |       |       |           |        |       |       |       |           |        |       |       |       |           |        |       |       |       |           |        |       |       |       |           |        |       |       |       |           |        |       |       |       |           |        |       |       |       |           |        |       |       |       |           |        |       |       |       |           |        |       |       |       |           |        |       |       |       |           |        |       |       |       |           |        |       |       |       |           |        |         |         |         |           |        |            |            |            |           |  |  |  |  |  |  |  |  |  |
| 1 X 3  |  | 90627-0123   | 90627-0763  | 90627-0923              | 嘴   |              |                         |                         |  |                     |                                |            |            |                           |   |       |            |   |            |            |                                |            |   |            |             |       |          |   |         |   |       |             |       |          |           |       |       |  |       |   |  |       |       |       |  |       |       |   |       |   |       |  |       |       |   |        |       |       |       |   |        |       |       |       |          |        |       |       |       |          |        |       |       |       |          |        |       |       |       |          |        |       |       |       |          |        |       |       |       |          |        |       |       |       |          |        |       |       |       |          |        |       |       |       |           |        |       |       |       |           |        |       |       |       |           |        |       |       |       |           |        |       |       |       |           |        |       |       |       |           |        |       |       |       |           |        |       |       |       |           |        |       |       |       |           |        |       |       |       |           |        |       |       |       |           |        |       |       |       |           |        |       |       |       |           |        |       |       |       |           |        |       |       |       |           |        |       |       |       |           |        |       |       |       |           |        |       |       |       |           |        |       |       |       |           |        |       |       |       |           |        |         |         |         |           |        |            |            |            |           |  |  |  |  |  |  |  |  |  |
| 1 X 4  |  | ↑ -0124  | ↑ -0764   | ↑ -0924                 | 嘴   |              |                         |                         |  |                     |                                |            |            |                           |   |       |            |   |            |            |                                |            |   |            |             |       |          |   |         |   |       |             |       |          |           |       |       |  |       |   |  |       |       |       |  |       |       |   |       |   |       |  |       |       |   |        |       |       |       |   |        |       |       |       |          |        |       |       |       |          |        |       |       |       |          |        |       |       |       |          |        |       |       |       |          |        |       |       |       |          |        |       |       |       |          |        |       |       |       |          |        |       |       |       |           |        |       |       |       |           |        |       |       |       |           |        |       |       |       |           |        |       |       |       |           |        |       |       |       |           |        |       |       |       |           |        |       |       |       |           |        |       |       |       |           |        |       |       |       |           |        |       |       |       |           |        |       |       |       |           |        |       |       |       |           |        |       |       |       |           |        |       |       |       |           |        |       |       |       |           |        |       |       |       |           |        |       |       |       |           |        |       |       |       |           |        |       |       |       |           |        |         |         |         |           |        |            |            |            |           |  |  |  |  |  |  |  |  |  |
| 1 X 5  |  | -0125  | -0765   | -0925                   | 嘴   |              |                         |                         |  |                     |                                |            |            |                           |   |       |            |   |            |            |                                |            |   |            |             |       |          |   |         |   |       |             |       |          |           |       |       |  |       |   |  |       |       |       |  |       |       |   |       |   |       |  |       |       |   |        |       |       |       |   |        |       |       |       |          |        |       |       |       |          |        |       |       |       |          |        |       |       |       |          |        |       |       |       |          |        |       |       |       |          |        |       |       |       |          |        |       |       |       |          |        |       |       |       |           |        |       |       |       |           |        |       |       |       |           |        |       |       |       |           |        |       |       |       |           |        |       |       |       |           |        |       |       |       |           |        |       |       |       |           |        |       |       |       |           |        |       |       |       |           |        |       |       |       |           |        |       |       |       |           |        |       |       |       |           |        |       |       |       |           |        |       |       |       |           |        |       |       |       |           |        |       |       |       |           |        |       |       |       |           |        |       |       |       |           |        |       |       |       |           |        |         |         |         |           |        |            |            |            |           |  |  |  |  |  |  |  |  |  |
| 1 X 6  |  | -0126  | -0766   | -0926                   | 嘴   |              |                         |                         |  |                     |                                |            |            |                           |   |       |            |   |            |            |                                |            |   |            |             |       |          |   |         |   |       |             |       |          |           |       |       |  |       |   |  |       |       |       |  |       |       |   |       |   |       |  |       |       |   |        |       |       |       |   |        |       |       |       |          |        |       |       |       |          |        |       |       |       |          |        |       |       |       |          |        |       |       |       |          |        |       |       |       |          |        |       |       |       |          |        |       |       |       |          |        |       |       |       |           |        |       |       |       |           |        |       |       |       |           |        |       |       |       |           |        |       |       |       |           |        |       |       |       |           |        |       |       |       |           |        |       |       |       |           |        |       |       |       |           |        |       |       |       |           |        |       |       |       |           |        |       |       |       |           |        |       |       |       |           |        |       |       |       |           |        |       |       |       |           |        |       |       |       |           |        |       |       |       |           |        |       |       |       |           |        |       |       |       |           |        |       |       |       |           |        |         |         |         |           |        |            |            |            |           |  |  |  |  |  |  |  |  |  |
| 1 X 7  |  | -0127  | -0767   | -0927                   | 嘴   |              |                         |                         |  |                     |                                |            |            |                           |   |       |            |   |            |            |                                |            |   |            |             |       |          |   |         |   |       |             |       |          |           |       |       |  |       |   |  |       |       |       |  |       |       |   |       |   |       |  |       |       |   |        |       |       |       |   |        |       |       |       |          |        |       |       |       |          |        |       |       |       |          |        |       |       |       |          |        |       |       |       |          |        |       |       |       |          |        |       |       |       |          |        |       |       |       |          |        |       |       |       |           |        |       |       |       |           |        |       |       |       |           |        |       |       |       |           |        |       |       |       |           |        |       |       |       |           |        |       |       |       |           |        |       |       |       |           |        |       |       |       |           |        |       |       |       |           |        |       |       |       |           |        |       |       |       |           |        |       |       |       |           |        |       |       |       |           |        |       |       |       |           |        |       |       |       |           |        |       |       |       |           |        |       |       |       |           |        |       |       |       |           |        |       |       |       |           |        |         |         |         |           |        |            |            |            |           |  |  |  |  |  |  |  |  |  |
| 1 X 8  |  | -0128  | -0768   | -0928                   | 嘴   |              |                         |                         |  |                     |                                |            |            |                           |   |       |            |   |            |            |                                |            |   |            |             |       |          |   |         |   |       |             |       |          |           |       |       |  |       |   |  |       |       |       |  |       |       |   |       |   |       |  |       |       |   |        |       |       |       |   |        |       |       |       |          |        |       |       |       |          |        |       |       |       |          |        |       |       |       |          |        |       |       |       |          |        |       |       |       |          |        |       |       |       |          |        |       |       |       |          |        |       |       |       |           |        |       |       |       |           |        |       |       |       |           |        |       |       |       |           |        |       |       |       |           |        |       |       |       |           |        |       |       |       |           |        |       |       |       |           |        |       |       |       |           |        |       |       |       |           |        |       |       |       |           |        |       |       |       |           |        |       |       |       |           |        |       |       |       |           |        |       |       |       |           |        |       |       |       |           |        |       |       |       |           |        |       |       |       |           |        |       |       |       |           |        |       |       |       |           |        |         |         |         |           |        |            |            |            |           |  |  |  |  |  |  |  |  |  |
| 1 X 9  |  | -0129  | -0769   | -0929                   | 嘴   |              |                         |                         |  |                     |                                |            |            |                           |   |       |            |   |            |            |                                |            |   |            |             |       |          |   |         |   |       |             |       |          |           |       |       |  |       |   |  |       |       |       |  |       |       |   |       |   |       |  |       |       |   |        |       |       |       |   |        |       |       |       |          |        |       |       |       |          |        |       |       |       |          |        |       |       |       |          |        |       |       |       |          |        |       |       |       |          |        |       |       |       |          |        |       |       |       |          |        |       |       |       |           |        |       |       |       |           |        |       |       |       |           |        |       |       |       |           |        |       |       |       |           |        |       |       |       |           |        |       |       |       |           |        |       |       |       |           |        |       |       |       |           |        |       |       |       |           |        |       |       |       |           |        |       |       |       |           |        |       |       |       |           |        |       |       |       |           |        |       |       |       |           |        |       |       |       |           |        |       |       |       |           |        |       |       |       |           |        |       |       |       |           |        |       |       |       |           |        |         |         |         |           |        |            |            |            |           |  |  |  |  |  |  |  |  |  |
| 1 X 10   |  | -0130  | -0770   | -0930                   | 嘴   |              |                         |                         |  |                     |                                |            |            |                           |   |       |            |   |            |            |                                |            |   |            |             |       |          |   |         |   |       |             |       |          |           |       |       |  |       |   |  |       |       |       |  |       |       |   |       |   |       |  |       |       |   |        |       |       |       |   |        |       |       |       |          |        |       |       |       |          |        |       |       |       |          |        |       |       |       |          |        |       |       |       |          |        |       |       |       |          |        |       |       |       |          |        |       |       |       |          |        |       |       |       |           |        |       |       |       |           |        |       |       |       |           |        |       |       |       |           |        |       |       |       |           |        |       |       |       |           |        |       |       |       |           |        |       |       |       |           |        |       |       |       |           |        |       |       |       |           |        |       |       |       |           |        |       |       |       |           |        |       |       |       |           |        |       |       |       |           |        |       |       |       |           |        |       |       |       |           |        |       |       |       |           |        |       |       |       |           |        |       |       |       |           |        |       |       |       |           |        |         |         |         |           |        |            |            |            |           |  |  |  |  |  |  |  |  |  |
| 1 X 11   |  | -0131  | -0771   | -0931                   | 1.6 & 11  |              |                         |                         |  |                     |                                |            |            |                           |   |       |            |   |            |            |                                |            |   |            |             |       |          |   |         |   |       |             |       |          |           |       |       |  |       |   |  |       |       |       |  |       |       |   |       |   |       |  |       |       |   |        |       |       |       |   |        |       |       |       |          |        |       |       |       |          |        |       |       |       |          |        |       |       |       |          |        |       |       |       |          |        |       |       |       |          |        |       |       |       |          |        |       |       |       |          |        |       |       |       |           |        |       |       |       |           |        |       |       |       |           |        |       |       |       |           |        |       |       |       |           |        |       |       |       |           |        |       |       |       |           |        |       |       |       |           |        |       |       |       |           |        |       |       |       |           |        |       |       |       |           |        |       |       |       |           |        |       |       |       |           |        |       |       |       |           |        |       |       |       |           |        |       |       |       |           |        |       |       |       |           |        |       |       |       |           |        |       |       |       |           |        |       |       |       |           |        |         |         |         |           |        |            |            |            |           |  |  |  |  |  |  |  |  |  |
| 1 X 12   |  | -0132  | -0772   | -0932                   | 1.6 & 12  |              |                         |                         |  |                     |                                |            |            |                           |   |       |            |   |            |            |                                |            |   |            |             |       |          |   |         |   |       |             |       |          |           |       |       |  |       |   |  |       |       |       |  |       |       |   |       |   |       |  |       |       |   |        |       |       |       |   |        |       |       |       |          |        |       |       |       |          |        |       |       |       |          |        |       |       |       |          |        |       |       |       |          |        |       |       |       |          |        |       |       |       |          |        |       |       |       |          |        |       |       |       |           |        |       |       |       |           |        |       |       |       |           |        |       |       |       |           |        |       |       |       |           |        |       |       |       |           |        |       |       |       |           |        |       |       |       |           |        |       |       |       |           |        |       |       |       |           |        |       |       |       |           |        |       |       |       |           |        |       |       |       |           |        |       |       |       |           |        |       |       |       |           |        |       |       |       |           |        |       |       |       |           |        |       |       |       |           |        |       |       |       |           |        |       |       |       |           |        |         |         |         |           |        |            |            |            |           |  |  |  |  |  |  |  |  |  |
| 1 X 13   |  | -0133  | -0773   | -0933                   | 1.7 & 13  |              |                         |                         |  |                     |                                |            |            |                           |   |       |            |   |            |            |                                |            |   |            |             |       |          |   |         |   |       |             |       |          |           |       |       |  |       |   |  |       |       |       |  |       |       |   |       |   |       |  |       |       |   |        |       |       |       |   |        |       |       |       |          |        |       |       |       |          |        |       |       |       |          |        |       |       |       |          |        |       |       |       |          |        |       |       |       |          |        |       |       |       |          |        |       |       |       |          |        |       |       |       |           |        |       |       |       |           |        |       |       |       |           |        |       |       |       |           |        |       |       |       |           |        |       |       |       |           |        |       |       |       |           |        |       |       |       |           |        |       |       |       |           |        |       |       |       |           |        |       |       |       |           |        |       |       |       |           |        |       |       |       |           |        |       |       |       |           |        |       |       |       |           |        |       |       |       |           |        |       |       |       |           |        |       |       |       |           |        |       |       |       |           |        |       |       |       |           |        |         |         |         |           |        |            |            |            |           |  |  |  |  |  |  |  |  |  |
| 1 X 14   |  | -0134  | -0774   | -0934                   | 1.7 & 14  |              |                         |                         |  |                     |                                |            |            |                           |   |       |            |   |            |            |                                |            |   |            |             |       |          |   |         |   |       |             |       |          |           |       |       |  |       |   |  |       |       |       |  |       |       |   |       |   |       |  |       |       |   |        |       |       |       |   |        |       |       |       |          |        |       |       |       |          |        |       |       |       |          |        |       |       |       |          |        |       |       |       |          |        |       |       |       |          |        |       |       |       |          |        |       |       |       |          |        |       |       |       |           |        |       |       |       |           |        |       |       |       |           |        |       |       |       |           |        |       |       |       |           |        |       |       |       |           |        |       |       |       |           |        |       |       |       |           |        |       |       |       |           |        |       |       |       |           |        |       |       |       |           |        |       |       |       |           |        |       |       |       |           |        |       |       |       |           |        |       |       |       |           |        |       |       |       |           |        |       |       |       |           |        |       |       |       |           |        |       |       |       |           |        |       |       |       |           |        |         |         |         |           |        |            |            |            |           |  |  |  |  |  |  |  |  |  |
| 1 X 15   |  | -0135  | -0775   | -0935                   | 1.8 & 15  |              |                         |                         |  |                     |                                |            |            |                           |   |       |            |   |            |            |                                |            |   |            |             |       |          |   |         |   |       |             |       |          |           |       |       |  |       |   |  |       |       |       |  |       |       |   |       |   |       |  |       |       |   |        |       |       |       |   |        |       |       |       |          |        |       |       |       |          |        |       |       |       |          |        |       |       |       |          |        |       |       |       |          |        |       |       |       |          |        |       |       |       |          |        |       |       |       |          |        |       |       |       |           |        |       |       |       |           |        |       |       |       |           |        |       |       |       |           |        |       |       |       |           |        |       |       |       |           |        |       |       |       |           |        |       |       |       |           |        |       |       |       |           |        |       |       |       |           |        |       |       |       |           |        |       |       |       |           |        |       |       |       |           |        |       |       |       |           |        |       |       |       |           |        |       |       |       |           |        |       |       |       |           |        |       |       |       |           |        |       |       |       |           |        |       |       |       |           |        |         |         |         |           |        |            |            |            |           |  |  |  |  |  |  |  |  |  |
| 1 X 16   |  | -0136  | -0776   | -0936                   | 1.8 & 16  |              |                         |                         |  |                     |                                |            |            |                           |   |       |            |   |            |            |                                |            |   |            |             |       |          |   |         |   |       |             |       |          |           |       |       |  |       |   |  |       |       |       |  |       |       |   |       |   |       |  |       |       |   |        |       |       |       |   |        |       |       |       |          |        |       |       |       |          |        |       |       |       |          |        |       |       |       |          |        |       |       |       |          |        |       |       |       |          |        |       |       |       |          |        |       |       |       |          |        |       |       |       |           |        |       |       |       |           |        |       |       |       |           |        |       |       |       |           |        |       |       |       |           |        |       |       |       |           |        |       |       |       |           |        |       |       |       |           |        |       |       |       |           |        |       |       |       |           |        |       |       |       |           |        |       |       |       |           |        |       |       |       |           |        |       |       |       |           |        |       |       |       |           |        |       |       |       |           |        |       |       |       |           |        |       |       |       |           |        |       |       |       |           |        |       |       |       |           |        |         |         |         |           |        |            |            |            |           |  |  |  |  |  |  |  |  |  |
| 1 X 17   |  | -0137  | -0777   | -0937                   | 1.9 & 17  |              |                         |                         |  |                     |                                |            |            |                           |   |       |            |   |            |            |                                |            |   |            |             |       |          |   |         |   |       |             |       |          |           |       |       |  |       |   |  |       |       |       |  |       |       |   |       |   |       |  |       |       |   |        |       |       |       |   |        |       |       |       |          |        |       |       |       |          |        |       |       |       |          |        |       |       |       |          |        |       |       |       |          |        |       |       |       |          |        |       |       |       |          |        |       |       |       |          |        |       |       |       |           |        |       |       |       |           |        |       |       |       |           |        |       |       |       |           |        |       |       |       |           |        |       |       |       |           |        |       |       |       |           |        |       |       |       |           |        |       |       |       |           |        |       |       |       |           |        |       |       |       |           |        |       |       |       |           |        |       |       |       |           |        |       |       |       |           |        |       |       |       |           |        |       |       |       |           |        |       |       |       |           |        |       |       |       |           |        |       |       |       |           |        |       |       |       |           |        |         |         |         |           |        |            |            |            |           |  |  |  |  |  |  |  |  |  |
| 1 X 18   |  | -0138  | -0778   | -0938                   | 1.9 & 18  |              |                         |                         |  |                     |                                |            |            |                           |   |       |            |   |            |            |                                |            |   |            |             |       |          |   |         |   |       |             |       |          |           |       |       |  |       |   |  |       |       |       |  |       |       |   |       |   |       |  |       |       |   |        |       |       |       |   |        |       |       |       |          |        |       |       |       |          |        |       |       |       |          |        |       |       |       |          |        |       |       |       |          |        |       |       |       |          |        |       |       |       |          |        |       |       |       |          |        |       |       |       |           |        |       |       |       |           |        |       |       |       |           |        |       |       |       |           |        |       |       |       |           |        |       |       |       |           |        |       |       |       |           |        |       |       |       |           |        |       |       |       |           |        |       |       |       |           |        |       |       |       |           |        |       |       |       |           |        |       |       |       |           |        |       |       |       |           |        |       |       |       |           |        |       |       |       |           |        |       |       |       |           |        |       |       |       |           |        |       |       |       |           |        |       |       |       |           |        |         |         |         |           |        |            |            |            |           |  |  |  |  |  |  |  |  |  |
| 1 X 19   |  | -0139  | -0779   | -0939                   | 1.10 & 19   |              |                         |                         |  |                     |                                |            |            |                           |   |       |            |   |            |            |                                |            |   |            |             |       |          |   |         |   |       |             |       |          |           |       |       |  |       |   |  |       |       |       |  |       |       |   |       |   |       |  |       |       |   |        |       |       |       |   |        |       |       |       |          |        |       |       |       |          |        |       |       |       |          |        |       |       |       |          |        |       |       |       |          |        |       |       |       |          |        |       |       |       |          |        |       |       |       |          |        |       |       |       |           |        |       |       |       |           |        |       |       |       |           |        |       |       |       |           |        |       |       |       |           |        |       |       |       |           |        |       |       |       |           |        |       |       |       |           |        |       |       |       |           |        |       |       |       |           |        |       |       |       |           |        |       |       |       |           |        |       |       |       |           |        |       |       |       |           |        |       |       |       |           |        |       |       |       |           |        |       |       |       |           |        |       |       |       |           |        |       |       |       |           |        |       |       |       |           |        |         |         |         |           |        |            |            |            |           |  |  |  |  |  |  |  |  |  |
| 1 X 20   |  | -0140  | -0780   | -0940                   | 1.10 & 20   |              |                         |                         |  |                     |                                |            |            |                           |   |       |            |   |            |            |                                |            |   |            |             |       |          |   |         |   |       |             |       |          |           |       |       |  |       |   |  |       |       |       |  |       |       |   |       |   |       |  |       |       |   |        |       |       |       |   |        |       |       |       |          |        |       |       |       |          |        |       |       |       |          |        |       |       |       |          |        |       |       |       |          |        |       |       |       |          |        |       |       |       |          |        |       |       |       |          |        |       |       |       |           |        |       |       |       |           |        |       |       |       |           |        |       |       |       |           |        |       |       |       |           |        |       |       |       |           |        |       |       |       |           |        |       |       |       |           |        |       |       |       |           |        |       |       |       |           |        |       |       |       |           |        |       |       |       |           |        |       |       |       |           |        |       |       |       |           |        |       |       |       |           |        |       |       |       |           |        |       |       |       |           |        |       |       |       |           |        |       |       |       |           |        |       |       |       |           |        |         |         |         |           |        |            |            |            |           |  |  |  |  |  |  |  |  |  |
| 1 X 21   |  | -0141  | -0781   | -0941                   | 1.11 & 21   |              |                         |                         |  |                     |                                |            |            |                           |   |       |            |   |            |            |                                |            |   |            |             |       |          |   |         |   |       |             |       |          |           |       |       |  |       |   |  |       |       |       |  |       |       |   |       |   |       |  |       |       |   |        |       |       |       |   |        |       |       |       |          |        |       |       |       |          |        |       |       |       |          |        |       |       |       |          |        |       |       |       |          |        |       |       |       |          |        |       |       |       |          |        |       |       |       |          |        |       |       |       |           |        |       |       |       |           |        |       |       |       |           |        |       |       |       |           |        |       |       |       |           |        |       |       |       |           |        |       |       |       |           |        |       |       |       |           |        |       |       |       |           |        |       |       |       |           |        |       |       |       |           |        |       |       |       |           |        |       |       |       |           |        |       |       |       |           |        |       |       |       |           |        |       |       |       |           |        |       |       |       |           |        |       |       |       |           |        |       |       |       |           |        |       |       |       |           |        |         |         |         |           |        |            |            |            |           |  |  |  |  |  |  |  |  |  |
| 1 X 22   |  | -0142  | -0782   | -0942                   | 1.11 & 22   |              |                         |                         |  |                     |                                |            |            |                           |   |       |            |   |            |            |                                |            |   |            |             |       |          |   |         |   |       |             |       |          |           |       |       |  |       |   |  |       |       |       |  |       |       |   |       |   |       |  |       |       |   |        |       |       |       |   |        |       |       |       |          |        |       |       |       |          |        |       |       |       |          |        |       |       |       |          |        |       |       |       |          |        |       |       |       |          |        |       |       |       |          |        |       |       |       |          |        |       |       |       |           |        |       |       |       |           |        |       |       |       |           |        |       |       |       |           |        |       |       |       |           |        |       |       |       |           |        |       |       |       |           |        |       |       |       |           |        |       |       |       |           |        |       |       |       |           |        |       |       |       |           |        |       |       |       |           |        |       |       |       |           |        |       |       |       |           |        |       |       |       |           |        |       |       |       |           |        |       |       |       |           |        |       |       |       |           |        |       |       |       |           |        |       |       |       |           |        |         |         |         |           |        |            |            |            |           |  |  |  |  |  |  |  |  |  |
| 1 X 23   |  | -0143  | -0783   | -0943                   | 1.12 & 23   |              |                         |                         |  |                     |                                |            |            |                           |   |       |            |   |            |            |                                |            |   |            |             |       |          |   |         |   |       |             |       |          |           |       |       |  |       |   |  |       |       |       |  |       |       |   |       |   |       |  |       |       |   |        |       |       |       |   |        |       |       |       |          |        |       |       |       |          |        |       |       |       |          |        |       |       |       |          |        |       |       |       |          |        |       |       |       |          |        |       |       |       |          |        |       |       |       |          |        |       |       |       |           |        |       |       |       |           |        |       |       |       |           |        |       |       |       |           |        |       |       |       |           |        |       |       |       |           |        |       |       |       |           |        |       |       |       |           |        |       |       |       |           |        |       |       |       |           |        |       |       |       |           |        |       |       |       |           |        |       |       |       |           |        |       |       |       |           |        |       |       |       |           |        |       |       |       |           |        |       |       |       |           |        |       |       |       |           |        |       |       |       |           |        |       |       |       |           |        |         |         |         |           |        |            |            |            |           |  |  |  |  |  |  |  |  |  |
| 1 X 24   |  | -0144  | -0784   | -0944                   | 1.12 & 24   |              |                         |                         |  |                     |                                |            |            |                           |   |       |            |   |            |            |                                |            |   |            |             |       |          |   |         |   |       |             |       |          |           |       |       |  |       |   |  |       |       |       |  |       |       |   |       |   |       |  |       |       |   |        |       |       |       |   |        |       |       |       |          |        |       |       |       |          |        |       |       |       |          |        |       |       |       |          |        |       |       |       |          |        |       |       |       |          |        |       |       |       |          |        |       |       |       |          |        |       |       |       |           |        |       |       |       |           |        |       |       |       |           |        |       |       |       |           |        |       |       |       |           |        |       |       |       |           |        |       |       |       |           |        |       |       |       |           |        |       |       |       |           |        |       |       |       |           |        |       |       |       |           |        |       |       |       |           |        |       |       |       |           |        |       |       |       |           |        |       |       |       |           |        |       |       |       |           |        |       |       |       |           |        |       |       |       |           |        |       |       |       |           |        |       |       |       |           |        |         |         |         |           |        |            |            |            |           |  |  |  |  |  |  |  |  |  |
| 1 X 25   |  | -0145  | -0785   | -0945                   | 1.13 & 25   |              |                         |                         |  |                     |                                |            |            |                           |   |       |            |   |            |            |                                |            |   |            |             |       |          |   |         |   |       |             |       |          |           |       |       |  |       |   |  |       |       |       |  |       |       |   |       |   |       |  |       |       |   |        |       |       |       |   |        |       |       |       |          |        |       |       |       |          |        |       |       |       |          |        |       |       |       |          |        |       |       |       |          |        |       |       |       |          |        |       |       |       |          |        |       |       |       |          |        |       |       |       |           |        |       |       |       |           |        |       |       |       |           |        |       |       |       |           |        |       |       |       |           |        |       |       |       |           |        |       |       |       |           |        |       |       |       |           |        |       |       |       |           |        |       |       |       |           |        |       |       |       |           |        |       |       |       |           |        |       |       |       |           |        |       |       |       |           |        |       |       |       |           |        |       |       |       |           |        |       |       |       |           |        |       |       |       |           |        |       |       |       |           |        |       |       |       |           |        |         |         |         |           |        |            |            |            |           |  |  |  |  |  |  |  |  |  |
| 1 X 26   |  | -0146  | -0786   | -0946                   | 1.13 & 26   |              |                         |                         |  |                     |                                |            |            |                           |   |       |            |   |            |            |                                |            |   |            |             |       |          |   |         |   |       |             |       |          |           |       |       |  |       |   |  |       |       |       |  |       |       |   |       |   |       |  |       |       |   |        |       |       |       |   |        |       |       |       |          |        |       |       |       |          |        |       |       |       |          |        |       |       |       |          |        |       |       |       |          |        |       |       |       |          |        |       |       |       |          |        |       |       |       |          |        |       |       |       |           |        |       |       |       |           |        |       |       |       |           |        |       |       |       |           |        |       |       |       |           |        |       |       |       |           |        |       |       |       |           |        |       |       |       |           |        |       |       |       |           |        |       |       |       |           |        |       |       |       |           |        |       |       |       |           |        |       |       |       |           |        |       |       |       |           |        |       |       |       |           |        |       |       |       |           |        |       |       |       |           |        |       |       |       |           |        |       |       |       |           |        |       |       |       |           |        |         |         |         |           |        |            |            |            |           |  |  |  |  |  |  |  |  |  |
| 1 X 27   |  | -0147  | -0787   | -0947                   | 1.14 & 27   |              |                         |                         |  |                     |                                |            |            |                           |   |       |            |   |            |            |                                |            |   |            |             |       |          |   |         |   |       |             |       |          |           |       |       |  |       |   |  |       |       |       |  |       |       |   |       |   |       |  |       |       |   |        |       |       |       |   |        |       |       |       |          |        |       |       |       |          |        |       |       |       |          |        |       |       |       |          |        |       |       |       |          |        |       |       |       |          |        |       |       |       |          |        |       |       |       |          |        |       |       |       |           |        |       |       |       |           |        |       |       |       |           |        |       |       |       |           |        |       |       |       |           |        |       |       |       |           |        |       |       |       |           |        |       |       |       |           |        |       |       |       |           |        |       |       |       |           |        |       |       |       |           |        |       |       |       |           |        |       |       |       |           |        |       |       |       |           |        |       |       |       |           |        |       |       |       |           |        |       |       |       |           |        |       |       |       |           |        |       |       |       |           |        |       |       |       |           |        |         |         |         |           |        |            |            |            |           |  |  |  |  |  |  |  |  |  |
| 1 X 28   |  | -0148  | -0788   | -0948                   | 1.14 & 28   |              |                         |                         |  |                     |                                |            |            |                           |   |       |            |   |            |            |                                |            |   |            |             |       |          |   |         |   |       |             |       |          |           |       |       |  |       |   |  |       |       |       |  |       |       |   |       |   |       |  |       |       |   |        |       |       |       |   |        |       |       |       |          |        |       |       |       |          |        |       |       |       |          |        |       |       |       |          |        |       |       |       |          |        |       |       |       |          |        |       |       |       |          |        |       |       |       |          |        |       |       |       |           |        |       |       |       |           |        |       |       |       |           |        |       |       |       |           |        |       |       |       |           |        |       |       |       |           |        |       |       |       |           |        |       |       |       |           |        |       |       |       |           |        |       |       |       |           |        |       |       |       |           |        |       |       |       |           |        |       |       |       |           |        |       |       |       |           |        |       |       |       |           |        |       |       |       |           |        |       |       |       |           |        |       |       |       |           |        |       |       |       |           |        |       |       |       |           |        |         |         |         |           |        |            |            |            |           |  |  |  |  |  |  |  |  |  |
| 1 X 29   |  | -0149  | -0789   | -0949                   | 1.15 & 29   |              |                         |                         |  |                     |                                |            |            |                           |   |       |            |   |            |            |                                |            |   |            |             |       |          |   |         |   |       |             |       |          |           |       |       |  |       |   |  |       |       |       |  |       |       |   |       |   |       |  |       |       |   |        |       |       |       |   |        |       |       |       |          |        |       |       |       |          |        |       |       |       |          |        |       |       |       |          |        |       |       |       |          |        |       |       |       |          |        |       |       |       |          |        |       |       |       |          |        |       |       |       |           |        |       |       |       |           |        |       |       |       |           |        |       |       |       |           |        |       |       |       |           |        |       |       |       |           |        |       |       |       |           |        |       |       |       |           |        |       |       |       |           |        |       |       |       |           |        |       |       |       |           |        |       |       |       |           |        |       |       |       |           |        |       |       |       |           |        |       |       |       |           |        |       |       |       |           |        |       |       |       |           |        |       |       |       |           |        |       |       |       |           |        |       |       |       |           |        |         |         |         |           |        |            |            |            |           |  |  |  |  |  |  |  |  |  |
| 1 X 30   |  | -0150  | -0790   | -0950                   | 1.15 & 30   |              |                         |                         |  |                     |                                |            |            |                           |   |       |            |   |            |            |                                |            |   |            |             |       |          |   |         |   |       |             |       |          |           |       |       |  |       |   |  |       |       |       |  |       |       |   |       |   |       |  |       |       |   |        |       |       |       |   |        |       |       |       |          |        |       |       |       |          |        |       |       |       |          |        |       |       |       |          |        |       |       |       |          |        |       |       |       |          |        |       |       |       |          |        |       |       |       |          |        |       |       |       |           |        |       |       |       |           |        |       |       |       |           |        |       |       |       |           |        |       |       |       |           |        |       |       |       |           |        |       |       |       |           |        |       |       |       |           |        |       |       |       |           |        |       |       |       |           |        |       |       |       |           |        |       |       |       |           |        |       |       |       |           |        |       |       |       |           |        |       |       |       |           |        |       |       |       |           |        |       |       |       |           |        |       |       |       |           |        |       |       |       |           |        |       |       |       |           |        |         |         |         |           |        |            |            |            |           |  |  |  |  |  |  |  |  |  |
| 1 X 31   |  | -0151  | -0791   | -0951                   | 1.16 & 31   |              |                         |                         |  |                     |                                |            |            |                           |   |       |            |   |            |            |                                |            |   |            |             |       |          |   |         |   |       |             |       |          |           |       |       |  |       |   |  |       |       |       |  |       |       |   |       |   |       |  |       |       |   |        |       |       |       |   |        |       |       |       |          |        |       |       |       |          |        |       |       |       |          |        |       |       |       |          |        |       |       |       |          |        |       |       |       |          |        |       |       |       |          |        |       |       |       |          |        |       |       |       |           |        |       |       |       |           |        |       |       |       |           |        |       |       |       |           |        |       |       |       |           |        |       |       |       |           |        |       |       |       |           |        |       |       |       |           |        |       |       |       |           |        |       |       |       |           |        |       |       |       |           |        |       |       |       |           |        |       |       |       |           |        |       |       |       |           |        |       |       |       |           |        |       |       |       |           |        |       |       |       |           |        |       |       |       |           |        |       |       |       |           |        |       |       |       |           |        |         |         |         |           |        |            |            |            |           |  |  |  |  |  |  |  |  |  |
| 1 X 32   |  | -0152  | -0792   | -0952                   | 1.16 & 32   |              |                         |                         |  |                     |                                |            |            |                           |   |       |            |   |            |            |                                |            |   |            |             |       |          |   |         |   |       |             |       |          |           |       |       |  |       |   |  |       |       |       |  |       |       |   |       |   |       |  |       |       |   |        |       |       |       |   |        |       |       |       |          |        |       |       |       |          |        |       |       |       |          |        |       |       |       |          |        |       |       |       |          |        |       |       |       |          |        |       |       |       |          |        |       |       |       |          |        |       |       |       |           |        |       |       |       |           |        |       |       |       |           |        |       |       |       |           |        |       |       |       |           |        |       |       |       |           |        |       |       |       |           |        |       |       |       |           |        |       |       |       |           |        |       |       |       |           |        |       |       |       |           |        |       |       |       |           |        |       |       |       |           |        |       |       |       |           |        |       |       |       |           |        |       |       |       |           |        |       |       |       |           |        |       |       |       |           |        |       |       |       |           |        |       |       |       |           |        |         |         |         |           |        |            |            |            |           |  |  |  |  |  |  |  |  |  |
| 1 X 33   |  | -0153  | -0793   | -0953                   | 1.17 & 33   |              |                         |                         |  |                     |                                |            |            |                           |   |       |            |   |            |            |                                |            |   |            |             |       |          |   |         |   |       |             |       |          |           |       |       |  |       |   |  |       |       |       |  |       |       |   |       |   |       |  |       |       |   |        |       |       |       |   |        |       |       |       |          |        |       |       |       |          |        |       |       |       |          |        |       |       |       |          |        |       |       |       |          |        |       |       |       |          |        |       |       |       |          |        |       |       |       |          |        |       |       |       |           |        |       |       |       |           |        |       |       |       |           |        |       |       |       |           |        |       |       |       |           |        |       |       |       |           |        |       |       |       |           |        |       |       |       |           |        |       |       |       |           |        |       |       |       |           |        |       |       |       |           |        |       |       |       |           |        |       |       |       |           |        |       |       |       |           |        |       |       |       |           |        |       |       |       |           |        |       |       |       |           |        |       |       |       |           |        |       |       |       |           |        |       |       |       |           |        |         |         |         |           |        |            |            |            |           |  |  |  |  |  |  |  |  |  |
| 1 X 34   |  | -0154  | -0794   | -0954                   | 1.17 & 34   |              |                         |                         |  |                     |                                |            |            |                           |   |       |            |   |            |            |                                |            |   |            |             |       |          |   |         |   |       |             |       |          |           |       |       |  |       |   |  |       |       |       |  |       |       |   |       |   |       |  |       |       |   |        |       |       |       |   |        |       |       |       |          |        |       |       |       |          |        |       |       |       |          |        |       |       |       |          |        |       |       |       |          |        |       |       |       |          |        |       |       |       |          |        |       |       |       |          |        |       |       |       |           |        |       |       |       |           |        |       |       |       |           |        |       |       |       |           |        |       |       |       |           |        |       |       |       |           |        |       |       |       |           |        |       |       |       |           |        |       |       |       |           |        |       |       |       |           |        |       |       |       |           |        |       |       |       |           |        |       |       |       |           |        |       |       |       |           |        |       |       |       |           |        |       |       |       |           |        |       |       |       |           |        |       |       |       |           |        |       |       |       |           |        |       |       |       |           |        |         |         |         |           |        |            |            |            |           |  |  |  |  |  |  |  |  |  |
| 1 X 35   |  | -0155  | -0795   | -0955                   | 1.18 & 35   |              |                         |                         |  |                     |                                |            |            |                           |   |       |            |   |            |            |                                |            |   |            |             |       |          |   |         |   |       |             |       |          |           |       |       |  |       |   |  |       |       |       |  |       |       |   |       |   |       |  |       |       |   |        |       |       |       |   |        |       |       |       |          |        |       |       |       |          |        |       |       |       |          |        |       |       |       |          |        |       |       |       |          |        |       |       |       |          |        |       |       |       |          |        |       |       |       |          |        |       |       |       |           |        |       |       |       |           |        |       |       |       |           |        |       |       |       |           |        |       |       |       |           |        |       |       |       |           |        |       |       |       |           |        |       |       |       |           |        |       |       |       |           |        |       |       |       |           |        |       |       |       |           |        |       |       |       |           |        |       |       |       |           |        |       |       |       |           |        |       |       |       |           |        |       |       |       |           |        |       |       |       |           |        |       |       |       |           |        |       |       |       |           |        |       |       |       |           |        |         |         |         |           |        |            |            |            |           |  |  |  |  |  |  |  |  |  |
| 1 X 36   |  | -0156  | -0796   | -0956                   | 1.18 & 36   |              |                         |                         |  |                     |                                |            |            |                           |   |       |            |   |            |            |                                |            |   |            |             |       |          |   |         |   |       |             |       |          |           |       |       |  |       |   |  |       |       |       |  |       |       |   |       |   |       |  |       |       |   |        |       |       |       |   |        |       |       |       |          |        |       |       |       |          |        |       |       |       |          |        |       |       |       |          |        |       |       |       |          |        |       |       |       |          |        |       |       |       |          |        |       |       |       |          |        |       |       |       |           |        |       |       |       |           |        |       |       |       |           |        |       |       |       |           |        |       |       |       |           |        |       |       |       |           |        |       |       |       |           |        |       |       |       |           |        |       |       |       |           |        |       |       |       |           |        |       |       |       |           |        |       |       |       |           |        |       |       |       |           |        |       |       |       |           |        |       |       |       |           |        |       |       |       |           |        |       |       |       |           |        |       |       |       |           |        |       |       |       |           |        |       |       |       |           |        |         |         |         |           |        |            |            |            |           |  |  |  |  |  |  |  |  |  |
| 1 X 37   |  | -0157  | -0797   | -0957                   | 1.19 & 37   |              |                         |                         |  |                     |                                |            |            |                           |   |       |            |   |            |            |                                |            |   |            |             |       |          |   |         |   |       |             |       |          |           |       |       |  |       |   |  |       |       |       |  |       |       |   |       |   |       |  |       |       |   |        |       |       |       |   |        |       |       |       |          |        |       |       |       |          |        |       |       |       |          |        |       |       |       |          |        |       |       |       |          |        |       |       |       |          |        |       |       |       |          |        |       |       |       |          |        |       |       |       |           |        |       |       |       |           |        |       |       |       |           |        |       |       |       |           |        |       |       |       |           |        |       |       |       |           |        |       |       |       |           |        |       |       |       |           |        |       |       |       |           |        |       |       |       |           |        |       |       |       |           |        |       |       |       |           |        |       |       |       |           |        |       |       |       |           |        |       |       |       |           |        |       |       |       |           |        |       |       |       |           |        |       |       |       |           |        |       |       |       |           |        |       |       |       |           |        |         |         |         |           |        |            |            |            |           |  |  |  |  |  |  |  |  |  |
| 1 X 38   |  | -0158  | -0798   | -0958                   | 1.19 & 38   |              |                         |                         |  |                     |                                |            |            |                           |   |       |            |   |            |            |                                |            |   |            |             |       |          |   |         |   |       |             |       |          |           |       |       |  |       |   |  |       |       |       |  |       |       |   |       |   |       |  |       |       |   |        |       |       |       |   |        |       |       |       |          |        |       |       |       |          |        |       |       |       |          |        |       |       |       |          |        |       |       |       |          |        |       |       |       |          |        |       |       |       |          |        |       |       |       |          |        |       |       |       |           |        |       |       |       |           |        |       |       |       |           |        |       |       |       |           |        |       |       |       |           |        |       |       |       |           |        |       |       |       |           |        |       |       |       |           |        |       |       |       |           |        |       |       |       |           |        |       |       |       |           |        |       |       |       |           |        |       |       |       |           |        |       |       |       |           |        |       |       |       |           |        |       |       |       |           |        |       |       |       |           |        |       |       |       |           |        |       |       |       |           |        |       |       |       |           |        |         |         |         |           |        |            |            |            |           |  |  |  |  |  |  |  |  |  |
| 1 X 39   | ↓ -0159  | ↓ -0799  | ↓ -0959   | 1.20 & 39               |   |              |                         |                         |  |                     |                                |            |            |                           |   |       |            |   |            |            |                                |            |   |            |             |       |          |   |         |   |       |             |       |          |           |       |       |  |       |   |  |       |       |       |  |       |       |   |       |   |       |  |       |       |   |        |       |       |       |   |        |       |       |       |          |        |       |       |       |          |        |       |       |       |          |        |       |       |       |          |        |       |       |       |          |        |       |       |       |          |        |       |       |       |          |        |       |       |       |          |        |       |       |       |           |        |       |       |       |           |        |       |       |       |           |        |       |       |       |           |        |       |       |       |           |        |       |       |       |           |        |       |       |       |           |        |       |       |       |           |        |       |       |       |           |        |       |       |       |           |        |       |       |       |           |        |       |       |       |           |        |       |       |       |           |        |       |       |       |           |        |       |       |       |           |        |       |       |       |           |        |       |       |       |           |        |       |       |       |           |        |       |       |       |           |        |       |       |       |           |        |         |         |         |           |        |            |            |            |           |  |  |  |  |  |  |  |  |  |
| 1 X 40   | 90627-0160   | 90627-0800   | 90627-0960  | 1.20 & 40               |   |              |                         |                         |  |                     |                                |            |            |                           |   |       |            |   |            |            |                                |            |   |            |             |       |          |   |         |   |       |             |       |          |           |       |       |  |       |   |  |       |       |       |  |       |       |   |       |   |       |  |       |       |   |        |       |       |       |   |        |       |       |       |          |        |       |       |       |          |        |       |       |       |          |        |       |       |       |          |        |       |       |       |          |        |       |       |       |          |        |       |       |       |          |        |       |       |       |          |        |       |       |       |           |        |       |       |       |           |        |       |       |       |           |        |       |       |       |           |        |       |       |       |           |        |       |       |       |           |        |       |       |       |           |        |       |       |       |           |        |       |       |       |           |        |       |       |       |           |        |       |       |       |           |        |       |       |       |           |        |       |       |       |           |        |       |       |       |           |        |       |       |       |           |        |       |       |       |           |        |       |       |       |           |        |       |       |       |           |        |       |       |       |           |        |       |       |       |           |        |         |         |         |           |        |            |            |            |           |  |  |  |  |  |  |  |  |  |
| E  |  |  |   |                         |   |              |                         |                         |  |                     |                                |            |            |                           |   |       |            |   |            |            |                                |            |   |            |             |       |          |   |         |   |       |             |       |          |           |       |       |  |       |   |  |       |       |       |  |       |       |   |       |   |       |  |       |       |   |        |       |       |       |   |        |       |       |       |          |        |       |       |       |          |        |       |       |       |          |        |       |       |       |          |        |       |       |       |          |        |       |       |       |          |        |       |       |       |          |        |       |       |       |          |        |       |       |       |           |        |       |       |       |           |        |       |       |       |           |        |       |       |       |           |        |       |       |       |           |        |       |       |       |           |        |       |       |       |           |        |       |       |       |           |        |       |       |       |           |        |       |       |       |           |        |       |       |       |           |        |       |       |       |           |        |       |       |       |           |        |       |       |       |           |        |       |       |       |           |        |       |       |       |           |        |       |       |       |           |        |       |       |       |           |        |       |       |       |           |        |       |       |       |           |        |         |         |         |           |        |            |            |            |           |  |  |  |  |  |  |  |  |  |
| D  |  |  |   |                         |   |              |                         |                         |  |                     |                                |            |            |                           |   |       |            |   |            |            |                                |            |   |            |             |       |          |   |         |   |       |             |       |          |           |       |       |  |       |   |  |       |       |       |  |       |       |   |       |   |       |  |       |       |   |        |       |       |       |   |        |       |       |       |          |        |       |       |       |          |        |       |       |       |          |        |       |       |       |          |        |       |       |       |          |        |       |       |       |          |        |       |       |       |          |        |       |       |       |          |        |       |       |       |           |        |       |       |       |           |        |       |       |       |           |        |       |       |       |           |        |       |       |       |           |        |       |       |       |           |        |       |       |       |           |        |       |       |       |           |        |       |       |       |           |        |       |       |       |           |        |       |       |       |           |        |       |       |       |           |        |       |       |       |           |        |       |       |       |           |        |       |       |       |           |        |       |       |       |           |        |       |       |       |           |        |       |       |       |           |        |       |       |       |           |        |       |       |       |           |        |         |         |         |           |        |            |            |            |           |  |  |  |  |  |  |  |  |  |
| C  |  |  |   |                         |   |              |                         |                         |  |                     |                                |            |            |                           |   |       |            |   |            |            |                                |            |   |            |             |       |          |   |         |   |       |             |       |          |           |       |       |  |       |   |  |       |       |       |  |       |       |   |       |   |       |  |       |       |   |        |       |       |       |   |        |       |       |       |          |        |       |       |       |          |        |       |       |       |          |        |       |       |       |          |        |       |       |       |          |        |       |       |       |          |        |       |       |       |          |        |       |       |       |          |        |       |       |       |           |        |       |       |       |           |        |       |       |       |           |        |       |       |       |           |        |       |       |       |           |        |       |       |       |           |        |       |       |       |           |        |       |       |       |           |        |       |       |       |           |        |       |       |       |           |        |       |       |       |           |        |       |       |       |           |        |       |       |       |           |        |       |       |       |           |        |       |       |       |           |        |       |       |       |           |        |       |       |       |           |        |       |       |       |           |        |       |       |       |           |        |       |       |       |           |        |         |         |         |           |        |            |            |            |           |  |  |  |  |  |  |  |  |  |
| B  |  |  |   |                         |   |              |                         |                         |  |                     |                                |            |            |                           |   |       |            |   |            |            |                                |            |   |            |             |       |          |   |         |   |       |             |       |          |           |       |       |  |       |   |  |       |       |       |  |       |       |   |       |   |       |  |       |       |   |        |       |       |       |   |        |       |       |       |          |        |       |       |       |          |        |       |       |       |          |        |       |       |       |          |        |       |       |       |          |        |       |       |       |          |        |       |       |       |          |        |       |       |       |          |        |       |       |       |           |        |       |       |       |           |        |       |       |       |           |        |       |       |       |           |        |       |       |       |           |        |       |       |       |           |        |       |       |       |           |        |       |       |       |           |        |       |       |       |           |        |       |       |       |           |        |       |       |       |           |        |       |       |       |           |        |       |       |       |           |        |       |       |       |           |        |       |       |       |           |        |       |       |       |           |        |       |       |       |           |        |       |       |       |           |        |       |       |       |           |        |       |       |       |           |        |         |         |         |           |        |            |            |            |           |  |  |  |  |  |  |  |  |  |
| A  | NOTES:<br>1. SEE SHEET 1 FOR KINK DETAIL.<br>2. FOR PLATING VARIATIONS SEE ENG.STD. SDES-99000-0003.   |  |   |                         | FOR PREVIOUS DRAWING ISSUES SEE MRI.  |              | SEE SHEET 1.            |                         | <table border="1"> <tr> <td colspan="2">DIMENSIONS SHOWN (METRIC) INCH</td> <td>DRWG BY</td> <td colspan="2">REVISE ONLY ON CAD SYSTEM</td> <td>SH.</td> <td>REV.</td> </tr> <tr> <td colspan="2">UNLESS OTHERWISE SPECIFIED TOLERANCES: ANGULAR ± 1/2°</td> <td>RD</td> <td colspan="2">CAD/CAM FILENAME SA90627X2 DCN</td> <td colspan="2">THIS DRAWING CONTAINS INFORMATION THAT IS PROPRIETARY TO MOLEX INC. &amp; SHOULD NOT BE USED WITHOUT WRITTEN PERMISSION</td> </tr> <tr> <td>3 PLACE ± .</td> <td></td> <td>CHK'D BY</td> <td colspan="4" rowspan="3">           TITLE<br/> <b>C-GRID III SINGLE ROW KINKED PIN HEADER</b> </td> </tr> <tr> <td>2 PLACE ± .</td> <td>±</td> <td>APP'D BY</td> </tr> <tr> <td>1 PLACE ±</td> <td>±</td> <td>SCALE</td> </tr> <tr> <td colspan="2">DRAFT WHERE APPLICABLE MUST REMAIN WITHIN DIMENSIONS</td> <td></td> <td colspan="2">           MOLEX EUROPE<br/>           SHEET NO. 20F<br/>           DATE 90/08/11         </td> <td colspan="2"></td> </tr> <tr> <td>DESIGN DIMENSION (PRIMARY) <input checked="" type="checkbox"/> (MM) <input type="checkbox"/> IN.</td> <td></td> <td></td> <td colspan="2">           PART NO. SEE CHART<br/>           DWG NO. SDA-90627<br/>           SIZE B         </td> <td colspan="2"></td> </tr> <tr> <td>EQUIVALENT DIMENSION (SECONDARY) <input type="checkbox"/> (MM) <input checked="" type="checkbox"/> IN.</td> <td></td> <td></td> <td colspan="2"></td> <td colspan="2"></td> </tr> </table> |                     | DIMENSIONS SHOWN (METRIC) INCH |            | DRWG BY    | REVISE ONLY ON CAD SYSTEM |   | SH.   | REV.       | UNLESS OTHERWISE SPECIFIED TOLERANCES: ANGULAR ± 1/2° |            | RD         | CAD/CAM FILENAME SA90627X2 DCN |            | THIS DRAWING CONTAINS INFORMATION THAT IS PROPRIETARY TO MOLEX INC. & SHOULD NOT BE USED WITHOUT WRITTEN PERMISSION |            | 3 PLACE ± . |       | CHK'D BY | TITLE<br><b>C-GRID III SINGLE ROW KINKED PIN HEADER</b> |         |   |       | 2 PLACE ± . | ±     | APP'D BY | 1 PLACE ± | ±     | SCALE | DRAFT WHERE APPLICABLE MUST REMAIN WITHIN DIMENSIONS |       |   | MOLEX EUROPE<br>SHEET NO. 20F<br>DATE 90/08/11 |       |       |       | DESIGN DIMENSION (PRIMARY) <input checked="" type="checkbox"/> (MM) <input type="checkbox"/> IN. |       |       | PART NO. SEE CHART<br>DWG NO. SDA-90627<br>SIZE B |       |   |       | EQUIVALENT DIMENSION (SECONDARY) <input type="checkbox"/> (MM) <input checked="" type="checkbox"/> IN. |       |       |   |        |       |       |       |   |        |       |       |       |          |        |       |       |       |          |        |       |       |       |          |        |       |       |       |          |        |       |       |       |          |        |       |       |       |          |        |       |       |       |          |        |       |       |       |          |        |       |       |       |           |        |       |       |       |           |        |       |       |       |           |        |       |       |       |           |        |       |       |       |           |        |       |       |       |           |        |       |       |       |           |        |       |       |       |           |        |       |       |       |           |        |       |       |       |           |        |       |       |       |           |        |       |       |       |           |        |       |       |       |           |        |       |       |       |           |        |       |       |       |           |        |       |       |       |           |        |       |       |       |           |        |       |       |       |           |        |       |       |       |           |        |       |       |       |           |        |         |         |         |           |        |            |            |            |           |  |  |  |  |  |  |  |  |  |
| DIMENSIONS SHOWN (METRIC) INCH   |  | DRWG BY  | REVISE ONLY ON CAD SYSTEM                               |                         | SH.   | REV.         |                         |                         |  |                     |                                |            |            |                           |   |       |            |   |            |            |                                |            |   |            |             |       |          |   |         |   |       |             |       |          |           |       |       |  |       |   |  |       |       |       |  |       |       |   |       |   |       |  |       |       |   |        |       |       |       |   |        |       |       |       |          |        |       |       |       |          |        |       |       |       |          |        |       |       |       |          |        |       |       |       |          |        |       |       |       |          |        |       |       |       |          |        |       |       |       |          |        |       |       |       |           |        |       |       |       |           |        |       |       |       |           |        |       |       |       |           |        |       |       |       |           |        |       |       |       |           |        |       |       |       |           |        |       |       |       |           |        |       |       |       |           |        |       |       |       |           |        |       |       |       |           |        |       |       |       |           |        |       |       |       |           |        |       |       |       |           |        |       |       |       |           |        |       |       |       |           |        |       |       |       |           |        |       |       |       |           |        |       |       |       |           |        |       |       |       |           |        |         |         |         |           |        |            |            |            |           |  |  |  |  |  |  |  |  |  |
| UNLESS OTHERWISE SPECIFIED TOLERANCES: ANGULAR ± 1/2°  |  | RD   | CAD/CAM FILENAME SA90627X2 DCN                          |                         | THIS DRAWING CONTAINS INFORMATION THAT IS PROPRIETARY TO MOLEX INC. & SHOULD NOT BE USED WITHOUT WRITTEN PERMISSION |              |                         |                         |  |                     |                                |            |            |                           |   |       |            |   |            |            |                                |            |   |            |             |       |          |   |         |   |       |             |       |          |           |       |       |  |       |   |  |       |       |       |  |       |       |   |       |   |       |  |       |       |   |        |       |       |       |   |        |       |       |       |          |        |       |       |       |          |        |       |       |       |          |        |       |       |       |          |        |       |       |       |          |        |       |       |       |          |        |       |       |       |          |        |       |       |       |          |        |       |       |       |           |        |       |       |       |           |        |       |       |       |           |        |       |       |       |           |        |       |       |       |           |        |       |       |       |           |        |       |       |       |           |        |       |       |       |           |        |       |       |       |           |        |       |       |       |           |        |       |       |       |           |        |       |       |       |           |        |       |       |       |           |        |       |       |       |           |        |       |       |       |           |        |       |       |       |           |        |       |       |       |           |        |       |       |       |           |        |       |       |       |           |        |       |       |       |           |        |         |         |         |           |        |            |            |            |           |  |  |  |  |  |  |  |  |  |
| 3 PLACE ± .  |  | CHK'D BY   | TITLE<br><b>C-GRID III SINGLE ROW KINKED PIN HEADER</b> |                         |   |              |                         |                         |  |                     |                                |            |            |                           |   |       |            |   |            |            |                                |            |   |            |             |       |          |   |         |   |       |             |       |          |           |       |       |  |       |   |  |       |       |       |  |       |       |   |       |   |       |  |       |       |   |        |       |       |       |   |        |       |       |       |          |        |       |       |       |          |        |       |       |       |          |        |       |       |       |          |        |       |       |       |          |        |       |       |       |          |        |       |       |       |          |        |       |       |       |          |        |       |       |       |           |        |       |       |       |           |        |       |       |       |           |        |       |       |       |           |        |       |       |       |           |        |       |       |       |           |        |       |       |       |           |        |       |       |       |           |        |       |       |       |           |        |       |       |       |           |        |       |       |       |           |        |       |       |       |           |        |       |       |       |           |        |       |       |       |           |        |       |       |       |           |        |       |       |       |           |        |       |       |       |           |        |       |       |       |           |        |       |       |       |           |        |       |       |       |           |        |         |         |         |           |        |            |            |            |           |  |  |  |  |  |  |  |  |  |
| 2 PLACE ± .  | ±  | APP'D BY   |   |                         |   |              |                         |                         |  |                     |                                |            |            |                           |   |       |            |   |            |            |                                |            |   |            |             |       |          |   |         |   |       |             |       |          |           |       |       |  |       |   |  |       |       |       |  |       |       |   |       |   |       |  |       |       |   |        |       |       |       |   |        |       |       |       |          |        |       |       |       |          |        |       |       |       |          |        |       |       |       |          |        |       |       |       |          |        |       |       |       |          |        |       |       |       |          |        |       |       |       |          |        |       |       |       |           |        |       |       |       |           |        |       |       |       |           |        |       |       |       |           |        |       |       |       |           |        |       |       |       |           |        |       |       |       |           |        |       |       |       |           |        |       |       |       |           |        |       |       |       |           |        |       |       |       |           |        |       |       |       |           |        |       |       |       |           |        |       |       |       |           |        |       |       |       |           |        |       |       |       |           |        |       |       |       |           |        |       |       |       |           |        |       |       |       |           |        |       |       |       |           |        |         |         |         |           |        |            |            |            |           |  |  |  |  |  |  |  |  |  |
| 1 PLACE ±  | ±  | SCALE  |   |                         |   |              |                         |                         |  |                     |                                |            |            |                           |   |       |            |   |            |            |                                |            |   |            |             |       |          |   |         |   |       |             |       |          |           |       |       |  |       |   |  |       |       |       |  |       |       |   |       |   |       |  |       |       |   |        |       |       |       |   |        |       |       |       |          |        |       |       |       |          |        |       |       |       |          |        |       |       |       |          |        |       |       |       |          |        |       |       |       |          |        |       |       |       |          |        |       |       |       |          |        |       |       |       |           |        |       |       |       |           |        |       |       |       |           |        |       |       |       |           |        |       |       |       |           |        |       |       |       |           |        |       |       |       |           |        |       |       |       |           |        |       |       |       |           |        |       |       |       |           |        |       |       |       |           |        |       |       |       |           |        |       |       |       |           |        |       |       |       |           |        |       |       |       |           |        |       |       |       |           |        |       |       |       |           |        |       |       |       |           |        |       |       |       |           |        |       |       |       |           |        |         |         |         |           |        |            |            |            |           |  |  |  |  |  |  |  |  |  |
| DRAFT WHERE APPLICABLE MUST REMAIN WITHIN DIMENSIONS   |  |  | MOLEX EUROPE<br>SHEET NO. 20F<br>DATE 90/08/11          |                         |   |              |                         |                         |  |                     |                                |            |            |                           |   |       |            |   |            |            |                                |            |   |            |             |       |          |   |         |   |       |             |       |          |           |       |       |  |       |   |  |       |       |       |  |       |       |   |       |   |       |  |       |       |   |        |       |       |       |   |        |       |       |       |          |        |       |       |       |          |        |       |       |       |          |        |       |       |       |          |        |       |       |       |          |        |       |       |       |          |        |       |       |       |          |        |       |       |       |          |        |       |       |       |           |        |       |       |       |           |        |       |       |       |           |        |       |       |       |           |        |       |       |       |           |        |       |       |       |           |        |       |       |       |           |        |       |       |       |           |        |       |       |       |           |        |       |       |       |           |        |       |       |       |           |        |       |       |       |           |        |       |       |       |           |        |       |       |       |           |        |       |       |       |           |        |       |       |       |           |        |       |       |       |           |        |       |       |       |           |        |       |       |       |           |        |       |       |       |           |        |         |         |         |           |        |            |            |            |           |  |  |  |  |  |  |  |  |  |
| DESIGN DIMENSION (PRIMARY) <input checked="" type="checkbox"/> (MM) <input type="checkbox"/> IN.       |  |  | PART NO. SEE CHART<br>DWG NO. SDA-90627<br>SIZE B       |                         |   |              |                         |                         |  |                     |                                |            |            |                           |   |       |            |   |            |            |                                |            |   |            |             |       |          |   |         |   |       |             |       |          |           |       |       |  |       |   |  |       |       |       |  |       |       |   |       |   |       |  |       |       |   |        |       |       |       |   |        |       |       |       |          |        |       |       |       |          |        |       |       |       |          |        |       |       |       |          |        |       |       |       |          |        |       |       |       |          |        |       |       |       |          |        |       |       |       |          |        |       |       |       |           |        |       |       |       |           |        |       |       |       |           |        |       |       |       |           |        |       |       |       |           |        |       |       |       |           |        |       |       |       |           |        |       |       |       |           |        |       |       |       |           |        |       |       |       |           |        |       |       |       |           |        |       |       |       |           |        |       |       |       |           |        |       |       |       |           |        |       |       |       |           |        |       |       |       |           |        |       |       |       |           |        |       |       |       |           |        |       |       |       |           |        |       |       |       |           |        |         |         |         |           |        |            |            |            |           |  |  |  |  |  |  |  |  |  |
| EQUIVALENT DIMENSION (SECONDARY) <input type="checkbox"/> (MM) <input checked="" type="checkbox"/> IN. |  |  |   |                         |   |              |                         |                         |  |                     |                                |            |            |                           |   |       |            |   |            |            |                                |            |   |            |             |       |          |   |         |   |       |             |       |          |           |       |       |  |       |   |  |       |       |       |  |       |       |   |       |   |       |  |       |       |   |        |       |       |       |   |        |       |       |       |          |        |       |       |       |          |        |       |       |       |          |        |       |       |       |          |        |       |       |       |          |        |       |       |       |          |        |       |       |       |          |        |       |       |       |          |        |       |       |       |           |        |       |       |       |           |        |       |       |       |           |        |       |       |       |           |        |       |       |       |           |        |       |       |       |           |        |       |       |       |           |        |       |       |       |           |        |       |       |       |           |        |       |       |       |           |        |       |       |       |           |        |       |       |       |           |        |       |       |       |           |        |       |       |       |           |        |       |       |       |           |        |       |       |       |           |        |       |       |       |           |        |       |       |       |           |        |       |       |       |           |        |       |       |       |           |        |         |         |         |           |        |            |            |            |           |  |  |  |  |  |  |  |  |  |
|  | 10   | 9  | 8   | 7                       | 6   | 5            | 4                       | 3                       | 2  | 1                   |                                |            |            |                           |   |       |            |   |            |            |                                |            |   |            |             |       |          |   |         |   |       |             |       |          |           |       |       |  |       |   |  |       |       |       |  |       |       |   |       |   |       |  |       |       |   |        |       |       |       |   |        |       |       |       |          |        |       |       |       |          |        |       |       |       |          |        |       |       |       |          |        |       |       |       |          |        |       |       |       |          |        |       |       |       |          |        |       |       |       |          |        |       |       |       |           |        |       |       |       |           |        |       |       |       |           |        |       |       |       |           |        |       |       |       |           |        |       |       |       |           |        |       |       |       |           |        |       |       |       |           |        |       |       |       |           |        |       |       |       |           |        |       |       |       |           |        |       |       |       |           |        |       |       |       |           |        |       |       |       |           |        |       |       |       |           |        |       |       |       |           |        |       |       |       |           |        |       |       |       |           |        |       |       |       |           |        |       |       |       |           |        |         |         |         |           |        |            |            |            |           |  |  |  |  |  |  |  |  |  |