

**PLEASE CHECK WWW.MOLEX.COM FOR LATEST PART INFORMATION**

**Part Number:** [5005930600](#)  
**Status:** **Active**  
**Description:** 2.50mm (.098") Pitch Wire-to-Wire Plug Housing, Single Row, 6 Circuits

**Documents:**

[3D Model](#) [Product Specification PS-500592-001 \(PDF\)](#)  
[Drawing \(PDF\)](#) [RoHS Certificate of Compliance \(PDF\)](#)

**General**

Product Family Crimp Housings  
 Series [500593](#)  
 Product Name N/A

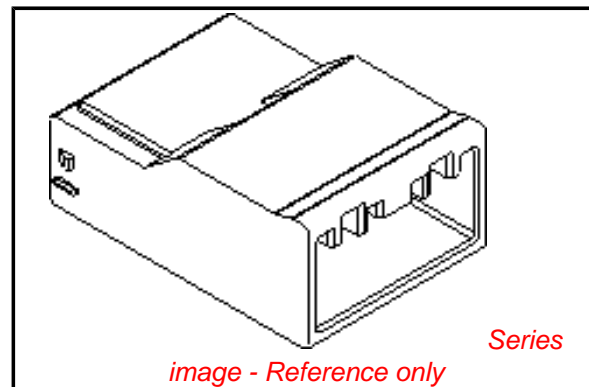
**Physical**

Circuits (maximum) 6  
 Color - Resin Natural  
 Gender Male  
 Glow-Wire Compliant No  
 Material - Resin Polyester  
 Number of Rows 1  
 Packaging Type Bag  
 Panel Mount No  
 Pitch - Mating Interface (in) 0.098 In  
 Pitch - Mating Interface (mm) 2.50 mm  
 Stackable No  
 Temperature Range - Operating -40°C to +85°C

**Material Info**

**Reference - Drawing Numbers**

Product Specification PS-500592-001, RPS-500592-001, RPS-500592-002, RPS-500592-003  
 Sales Drawing SD-500593-001



**EU RoHS**

**ELV and RoHS Compliant**  
**REACH SVHC Contains SVHC: No**  
**Halogen-Free Status**  
**Not Reviewed**

**China RoHS**



**Need more information on product environmental compliance?**

Email [productcompliance@molex.com](mailto:productcompliance@molex.com)  
 For a multiple part number RoHS Certificate of Compliance, [click here](#)

Please visit the [Contact Us](#) section for any non-product compliance questions.

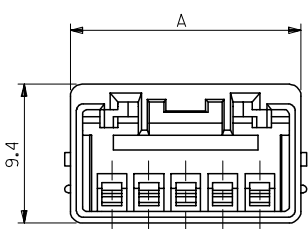
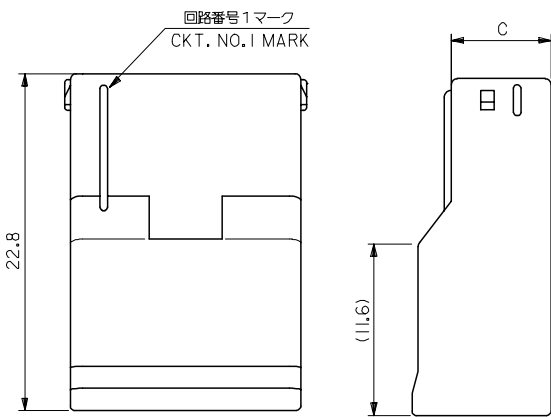
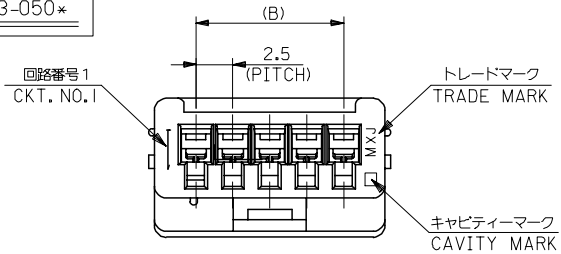
**Search Parts in this Series**  
[500593Series](#)

**Mates With**  
[500592](#)

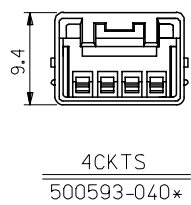
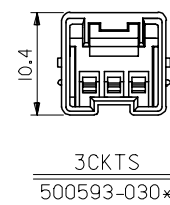
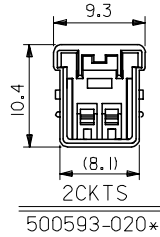
**Use With**  
[50398](#) , [500817](#)

10 9 8 7 6 5 4 3 2 1

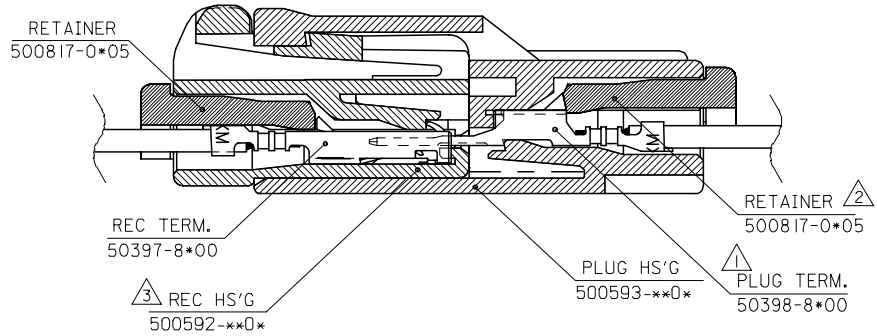
SHAPE OF  
500593-050\*



4種以下の極数レイアウト図  
LAYOUT OF 2/3/4CKTS.



ターミナル装着状態図  
TERMINAL ASSEMBLY DRAWING



注記  
NOTES

- △ 適合ターミナル：50398シリーズ  
APPLICABLE TERMINAL : 50398 SERIES
- △ 適合リテーナー：500817シリーズ  
APPLICABLE RETAINER : 500817 SERIES
- △ 嵌合相手：500592シリーズ  
MATE WITH : 500592 SERIES
- 4. 材質：PBT (UL94V-0)  
MATERIAL :PBT(UL94V-0)

5. MATERIAL NO. は以下の内容を示す。  
MATERIAL NO. :

500593-\*\*0\*

極数 CKT	色 COLOR
0	自然色 NATURAL
1	黒 BLACK
2	赤 RED
3	黄色 YELLOW
4	青 BLUE
6	緑 GREEN

REVISED EC NO: J2006-1361 DRW: MUMEDA CHKD: TOYODA APPR: NUKITA	DESCRIPTION 2005/10/27 2005/10/27 2005/11/01	GENERAL TOLERANCES (UNLESS SPECIFIED)		DIMENSION STYLE MM ONLY		SCALE 3:1	DESIGN UNITS METRIC	THIRD ANGLE PROJECTION	
		10 UNDER	±0.2	DRAWN BY J. MUMEDA	DATE 2005/04/07	TITLE 2.5MM WIRE TO WIRE CONN. PLUG HOUSING			
		10 OVER 30 UNDER	±0.25	CHECKED BY K. TOYODA	DATE 2005/04/07	MOLEX INCORPORATED			
		30 OVER	±0.3	APPROVED BY N. UKITA	DATE 2005/04/07	DOCUMENT NO. SD-500593-001			
ANGULAR ±3 °		DRAFT WHERE APPLICABLE MUST REMAIN WITHIN DIMENSIONS		MATERIAL NO. SEE CHART		SHEET NO. 1 OF 2			
SIZE A3		THIS DRAWING CONTAINS INFORMATION THAT IS PROPRIETARY TO MOLEX INCORPORATED AND SHOULD NOT BE USED WITHOUT WRITTEN PERMISSION							

10 9 8 7 6 5 4 3 2 1

500592-080*	500817-0805	6.75	17.5	23.1	8	500593-0806	500593-0804	500593-0803	500593-0802	500593-0801	500593-0800	500593-xx0*
↙ -070*	↙ -0705	↙ 15	20.6	7	↙ -0706	↙ -0704	↙ -0703	↙ -0702	↙ -0701	↙ -0700		
-060*	-0605	12.5	18.1	6	-0606	-0604	-0603	-0602	-0601	-0600		
-050*	-0505	10	15.6	5	-0506	-0504	-0503	-0502	-0501	-0500		
-040*	-0405	6.75	7.5	13.1	4	-0406	-0404	-0403		-0400		
-030*	-0305	7.75	5	10.6	3	-0306	-0304	-0303		-0300		
500592-020*	500817-0205	7.75	2.5	8.1	2	500593-0206	500593-0204	500593-0203	500593-0202	500593-0201	500593-0200	
MATE WITH	CONFORTABLE-RETAINER	C	B	A	CKT.	GREEN	BLUE	YELLOW	RED	BLACK	NATURAL	MODEL NO.

REVISED EC NO: J2006-1361 DRWN: NABEI 2005/10/27 CHKD: K. TOYODA 2005/10/27 APPR: NUKITA 2005/11/01	DESCRIPTION REV	GENERAL TOLERANCES (UNLESS SPECIFIED)		DIMENSION STYLE MM ONLY		SCALE 3:1	DESIGN UNITS METRIC	THIRD ANGLE PROJECTION		
		10 UNDER	± 0.2	DRAWN BY U. MUMEDA	DATE 2005/04/07	TITLE 2.5MM WIRE TO WIRE CONN. PLUG HOUSING				
		10 OVER 30 UNDER	± 0.25	CHECKED BY K. TOYODA	DATE 2005/04/07					
		30 OVER	± 0.3	APPROVED BY N. UKITA	DATE 2005/04/07	MOLEX INCORPORATED MATERIAL NO. SEE CHART DOCUMENT NO. SD-500593-001 SHEET NO. 2 OF 2				
DRAFT WHERE APPLICABLE MUST REMAIN WITHIN DIMENSIONS		SIZE A3		THIS DRAWING CONTAINS INFORMATION THAT IS PROPRIETARY TO MOLEX INCORPORATED AND SHOULD NOT BE USED WITHOUT WRITTEN PERMISSION						