

Silicon NPN Power Transistors

2SD1505

DESCRIPTION

www.datasheet4u.com

- With TO-220 package
- Complement to type 2SB1064
- Low collector saturation voltage

APPLICATIONS

- Designed for use in low frequency power amplifier applications

PINNING

PIN	DESCRIPTION
1	Base
2	Collector;connected to mounting base
3	Emitter

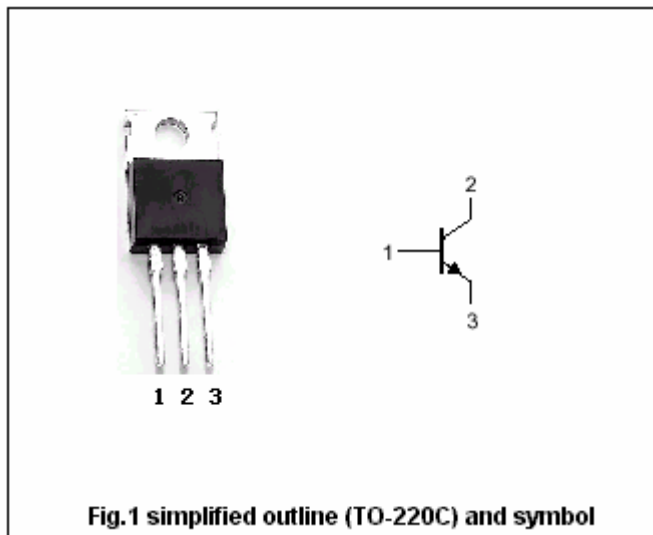


Fig.1 simplified outline (TO-220C) and symbol

Absolute maximum ratings(Ta=25°C)

SYMBOL	PARAMETER	CONDITIONS	VALUE	UNIT
V _{CBO}	Collector-base voltage	Open emitter	60	V
V _{CEO}	Collector-emitter voltage	Open base	50	V
V _{EBO}	Emitter-base voltage	Open collector	5	V
I _C	Collector current		3	A
I _{CM}	Collector current-peak		4.5	A
I _B	Base current		0.5	A
P _C	Collector power dissipation	T _C =25°C	30	W
T _j	Junction temperature		150	°C
T _{stg}	Storage temperature		-55~150	°C

Silicon NPN Power Transistors

2SD1505

CHARACTERISTICS

T_j=25°C unless otherwise specified

www.datasheet4u.com

SYMBOL	PARAMETER	CONDITIONS	MIN	TYP.	MAX	UNIT
V _{(BR)CEO}	Collector-emitter breakdown voltage	I _C =1mA, I _B =0	50			V
V _{(BR)CBO}	Collector-base breakdown voltage	I _C =50μA, I _E =0	60			V
V _{(BR)EBO}	Emitter-base breakdown voltage	I _E =50μA, I _C =0	5			V
V _{CEsat}	Collector-emitter saturation voltage	I _C =2A; I _B =0.2A			1.0	V
V _{BEsat}	Base-emitter saturation voltage	I _C =2A; I _B =0.2A			1.5	V
I _{CBO}	Collector cut-off current	V _{CB} =40V; I _E =0			1.0	μA
I _{EBO}	Emitter cut-off current	V _{EB} =4V; I _C =0			1.0	μA
h _{FE}	DC current gain	I _C =0.5A; V _{CE} =3V	60		320	
C _{OB}	Output capacitance	I _E =0; V _{CB} =10V, f=1MHz		40		pF
f _T	Transition frequency	I _C =0.5A; V _{CE} =5V		90		MHz

Silicon NPN Power Transistors

2SD1505

PACKAGE OUTLINE

www.datasheet4u.com

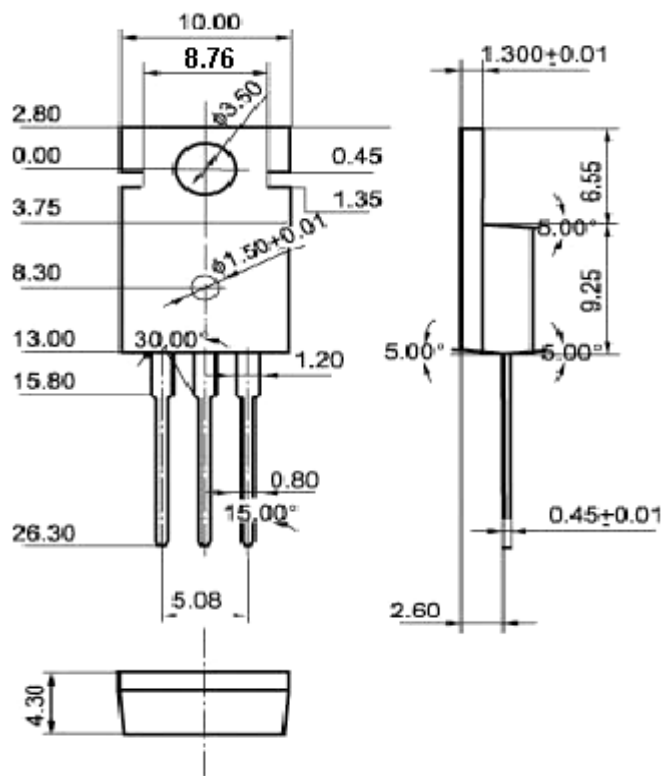


Fig.2 Outline dimensions(unindicated tolerance:±0.10 mm)