

PLEASE CHECK WWW.MOLEX.COM FOR LATEST PART INFORMATION

Part Number: **0190390030**
Status: **Active**
Description: Avikrimp™ Bullet Receptacle for 14-16 AWG Wire, PVC, Fits Male Plug Diameter 4.57mm (.180"), Mylar Tape Carrier

Documents:

[Drawing \(PDF\)](#) [RoHS Certificate of Compliance \(PDF\)](#)

Agency Certification

CSA LR18689
 UL E152602

General

Product Family Quick Disconnects
 Series [19039](#)
 Comments Fits Male Plug Dia. 4.57mm (.180")
 Crimp Quality Equipment Yes
 Product Name Avikrimp™
 Type Snap Receptacle

Physical

Barrel Type Closed
 Color - Resin Natural
 Flammability 94V-0
 Gender Female
 Glow-Wire Compliant No
 Insulation PVC
 Lock to Mating Part None
 Material - Metal Brass
 Material - Plating Mating Tin
 Material - Plating Termination Tin
 Material - Resin PVC
 Orientation Straight
 Packaging Type Adhesive Tape on Reel
 Tab Thickness N/A
 Tab Width N/A
 Temperature Range - Operating -40°C to +105°C
 Termination Interface: Style Crimp or Compression
 Wire Insulation Diameter 3.81mm (.150") max.
 Wire Size AWG 14, 16
 Wire Size mm² 1.00 - 2.50

Electrical

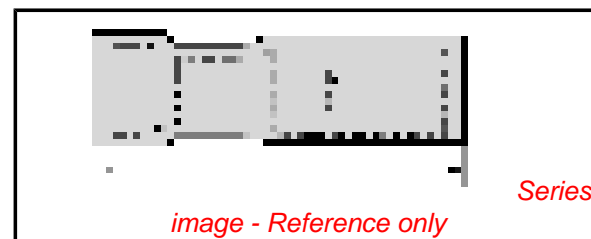
Voltage - Maximum 600V

Material Info

Old Part Number BRB-8180T

Reference - Drawing Numbers

Sales Drawing SD-19039-001



EU RoHS

ELV and RoHS Compliant
REACH SVHC
 Not Reviewed
Halogen-Free Status
Not Reviewed

China RoHS



Need more information on product environmental compliance?

Email productcompliance@molex.com
 For a multiple part number RoHS Certificate of Compliance, [click here](#)

Please visit the [Contact Us](#) section for any non-product compliance questions.

Search Parts in this Series

[19039Series](#)

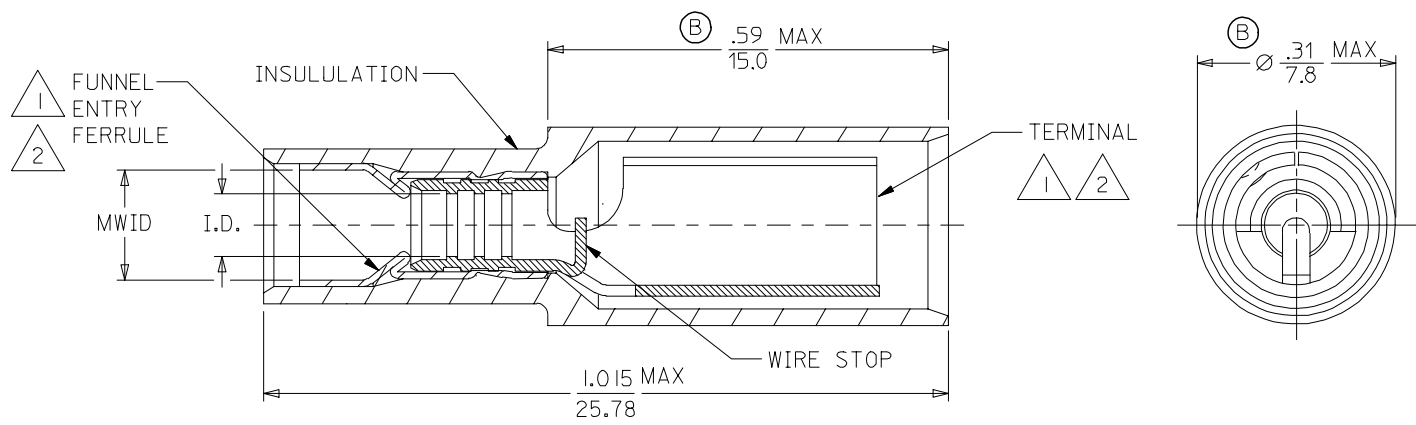
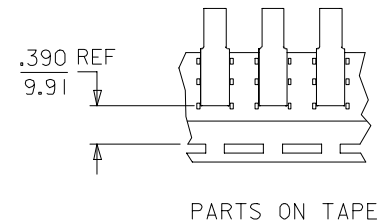
Application Tooling | FAQ

Tooling specifications and manuals are found by selecting the products below. Crimp Height Specifications are then contained in the Application Tooling Specification document.

Global

Description	Product #
Mini-Mac™ Applicator	0638853700

MATERIAL NUMBER	ENGINEERING NUMBER	TAPE MATERIAL NUMBER	TAPE ENGINEERING NUMBER	WIRE RANGE AWG MM ²	INSULATION HOUSING MATERIAL	INSULATION COLOR	FITS MALE PLUG DIA.	I.D. MIN.	MWID MAX
190390001	BRA-8156	190390026	BRA-8156T	22-18 0.25-1.3	PVC	RED	.156/(3.96)	.069/(1.75)	.128/(3.25)
190390002	BRA-8156N	190390015	BRA-8156NT	22-18 0.25-1.3	NYLON	LIGHT RED	.156/(3.96)	.069/(1.75)	.128/(3.25)
190390003	BRA-8156NDK	---	---	22-18 0.25-1.3	NYLON	DARK RED	.156/(3.96)	.069/(1.75)	.128/(3.25)
190390004	BRA-8180	190390029	BRA-8180T	22-18 0.25-1.3	PVC	RED	.180/(4.57)	.069/(1.75)	.128/(3.25)
190390005	BRA-8180N	190390017	BRA-8180NT	22-18 0.25-1.3	NYLON	RED	.180/(4.57)	.069/(1.75)	.128/(3.25)
190390006	BRB-8156	190390023	BRB-8156T	16-14 1.0-2.6	PVC	BLUE	.156/(3.96)	.091/(2.31)	.150/(3.81)
190390007	BRB-8156N	190390016	BRB-8156NT	16-14 1.0-2.6	NYLON	LIGHT BLUE	.156/(3.96)	.091/(2.31)	.150/(3.81)
190390008	BRB-8156NDK	---	---	16-14 1.0-2.6	NYLON	DARK BLUE	.156/(3.96)	.091/(2.31)	.150/(3.81)
190390009	BRB-8180	190390030	BRB-8180T	16-14 1.0-2.6	PVC	BLUE	.180/(4.57)	.091/(2.31)	.150/(3.81)
190390010	BRB-8180N	190390018	BRB-8180NT	16-14 1.0-2.6	NYLON	BLUE	.180/(4.57)	.091/(2.31)	.150/(3.81)



- NOTES:
- 1. MATERIAL: BRASS
 - 2. FINISH: ELECTRO-TIN PLATING
 - 3. INSULATION MATERIAL: SEE CHART
 - 4. MWID - MAXIMUM WIRE INSULATION DIAMETER

SALES DRAWING

REVISED DIMENSION EC NO: ETC2005-0122 DRAWN BY: BENDERLE 2005/02/15 CHKDR: DEROSS 2005/02/15 APPR: DEROSS 2005/02/15	QUALITY SYMBOLS ▽=0 ▽=0	GENERAL TOLERANCES (UNLESS SPECIFIED)		DIMENSION STYLE IN/MM		SCALE NONE	DESIGN UNITS INCH	THIRD ANGLE PROJECTION	
		4 PLACES	± .005	± .005	DRAWN BY BRE	DATE 2002/07/15	TITLE AVIKRIMP FEMALE BULLET RECEPTACLE		
		3 PLACES	± .010	± .010	CHECKED BY HEB	DATE 2002/07/15			
		2 PLACES	± 0.13	± .01	APPROVED BY RWD	DATE 2002/07/15	MATERIAL NO. SD-19039-001		
DRAFT WHERE APPLICABLE MUST REMAIN WITHIN DIMENSIONS		ANGULAR ± .005		MATERIAL NO.		DOCUMENT NO. SD-19039-001		SHEET NO. 1 OF 1	