

PLEASE CHECK WWW.MOLEX.COM FOR LATEST PART INFORMATION

Part Number: [1050390001](#)
Status: **Active**
Description: 2.54mm (.100") Pitch Hinged SIM Card Connector, Shielded, 0.30µm (12µ") Gold (Au) Plating over 1.27µm (50µ") Nickel on Contact Area, 6 Circuits, Lead Free

Documents:

[3D Model](#) [Product Specification PS-105039-001 \(PDF\)](#)
[Drawing \(PDF\)](#) [RoHS Certificate of Compliance \(PDF\)](#)

General

| | |
|----------------|------------------------|
| Product Family | Memory Card Sockets |
| Series | 105039 |
| Button Type | N/A |
| Component Type | Card Holder (Host) |
| Product Name | SIM |
| Type | N/A |

Physical

| | |
|--------------------------------|--------------------------------|
| Card Detection Switch | N/A |
| Circuits (Loaded) | 6 |
| Circuits (maximum) | 6 |
| Durability (mating cycles max) | 3,000 |
| Ejector Button Side | No Ejector Button Present |
| Entry Angle | Vertical |
| Keying to Mating Part | Yes |
| Material - Metal | Copper Alloy |
| Material - Plating Mating | Gold |
| Material - Plating Termination | Tin |
| Material - Resin | High Temperature Thermoplastic |
| PCB Locator | No |
| PCB Mounting Side | Normal |
| PCB Retention | Yes |
| Packaging Type | Embossed Tape on Reel |
| Pitch - Mating Interface (in) | 0.100 In |
| Pitch - Mating Interface (mm) | 2.54 mm |
| Pitch - Term. Interface (in) | 0.100 In |
| Pitch - Term. Interface (mm) | 2.54 mm |
| Plating min: Mating (µin) | 12 |
| Plating min: Mating (µm) | 0.30 |
| Plating min: Termination (µin) | 2 |
| Plating min: Termination (µm) | 0.05 |
| Ports | 0 |
| Temperature Range - Operating | -30°C to +85°C |
| Termination Interface: Style | Surface Mount |

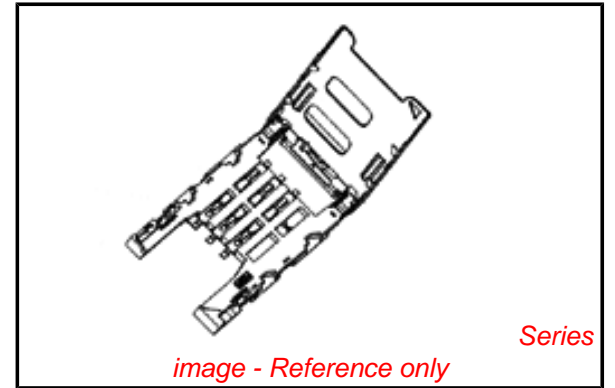
Electrical

| | |
|-------------------------------|--------|
| Current - Maximum per Contact | 0.5A |
| Shielded | Yes |
| Voltage - Maximum | 15V DC |

Material Info

Reference - Drawing Numbers

| | |
|-----------------------|---------------|
| Product Specification | PS-105039-001 |
| Sales Drawing | SD-105039-001 |
| Test Summary | TS-105039-001 |



EU RoHS

ELV and RoHS Compliant
REACH SVHC
 Not Reviewed
Halogen-Free Status

China RoHS



Need more information on product environmental compliance?

Email productcompliance@molex.com
 For a multiple part number RoHS Certificate of Compliance, [click here](#)

Please visit the [Contact Us](#) section for any non-product compliance questions.

Search Parts in this Series

[105039Series](#)

Mates With

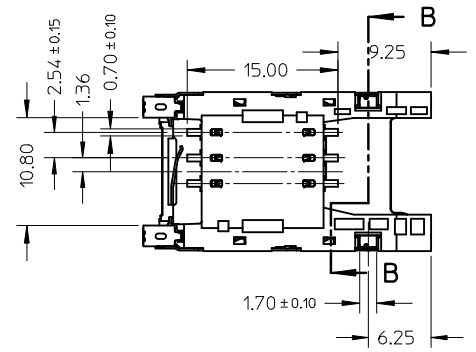
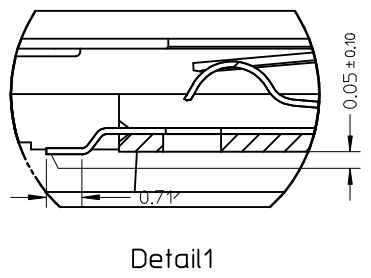
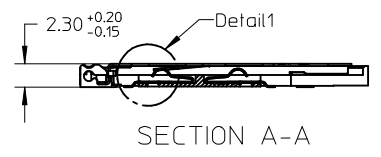
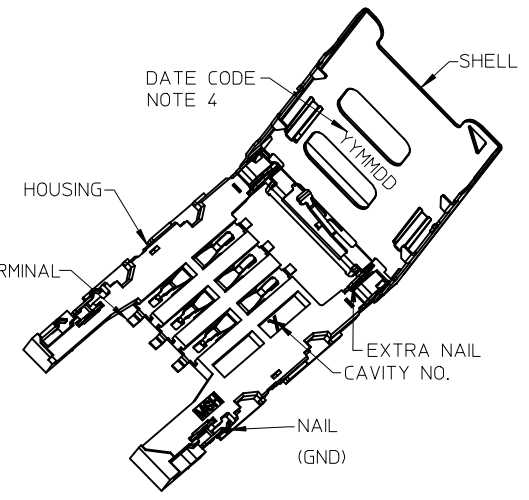
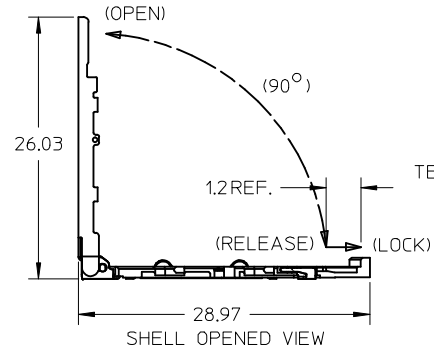
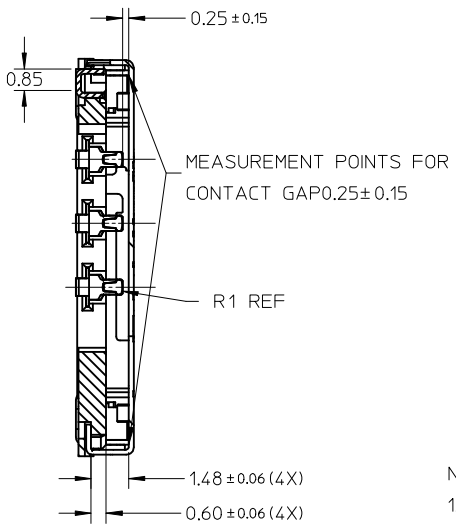
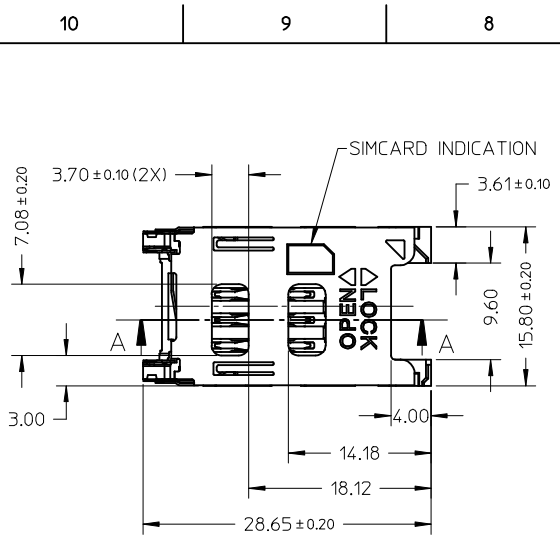
Standard SIM Card

Use With

Standard SIM Cards

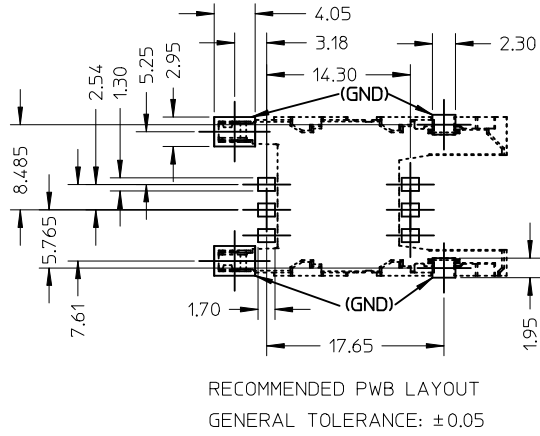
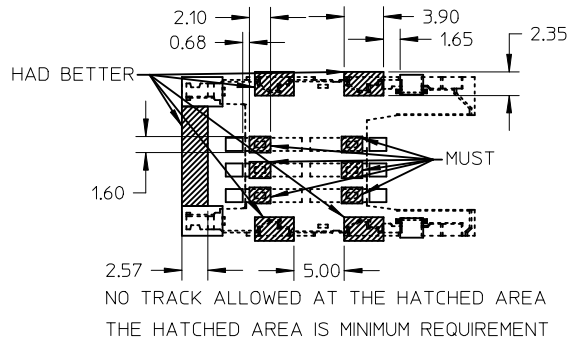
This document was generated on 05/18/2010

PLEASE CHECK WWW.MOLEX.COM FOR LATEST PART INFORMATION



- NOTES:
- MATERIALS:
 - HOUSING: LIQUID CRYSTAL POLYMER
 - TERMINAL: COPPER ALLOY
 - NAIL: COPPER ALLOY
 - EXTRA NAIL: STAINLESS STEEL
 - SHELL: STAINLESS STEEL
 - FINISHES:
 - TERMINALS:
 - CONTACT AREA: 1.27-6.0um NICKEL UNDERPLATE ALL OVER WITH 0.3um MIN GOLD PLATING
 - SOLDERTAILS: 1.27-6.0um NICKEL UNDERPLATE ALL OVER WITH 2um MIN TIN PLATING
 - SHELL: NON-PLATED
 - NAILS: 2.0-6.0um NICKEL UNDERPLATE ALL OVER WITH GOLD FLASH OVERALL
 - EXTRA NAILS: 2.0-6.0um NICKEL UNDERPLATE ALL OVER WITH 2um MIN TIN PLATING ALL OVER
 - MOUNT SURFACE COPLANARITY FOR ALL TAILS: 0.10MAX.
 - DATE CODE: YY-YEAR MM-MONTH DD-DATE
 - INITIAL LOCKING FORCE SHOULD BE 10N MAX., UNLOCKING FORCE SHOULD BE 3~10N

| PROPOSAL EC NO: SH2008-0653 DRW: LLIU10 CHK: YI ZHU APPR: HWANG 2008/09/17 2008/09/17 2008/10/08 | QUALITY SYMBOLS ▽=0 ◻=0 | GENERAL TOLERANCES (UNLESS SPECIFIED) | | DIMENSION STYLE MM ONLY | SCALE 2:1 | DESIGN UNITS METRIC | THIRD ANGLE PROJECTION | | | | | | | | | | | | | | | | | | | | | | | | | | |
|---|-------------------------------|--|-----------------------------------|--------------------------------------|----------------------------|-------------------------------|------------------------|-------|----------|-------|-------|----------|--------|-------|---------|-------|-------|---|----------|------|-------|--------|------------|-----------------------------------|------------|------|--|--|--|---------------------------|--|--|--|
| | | <table border="1"> <tr> <th></th> <th>mm</th> <th>INCH</th> </tr> <tr> <td>4 PLACES</td> <td>± ---</td> <td>± ---</td> </tr> <tr> <td>3 PLACES</td> <td>± ---</td> <td>± ---</td> </tr> <tr> <td>2 PLACES</td> <td>± 0.25</td> <td>± ---</td> </tr> <tr> <td>1 PLACE</td> <td>± 0.3</td> <td>± ---</td> </tr> </table> | | mm | INCH | 4 PLACES | ± --- | ± --- | 3 PLACES | ± --- | ± --- | 2 PLACES | ± 0.25 | ± --- | 1 PLACE | ± 0.3 | ± --- | <table border="1"> <tr> <th>DRAWN BY</th> <th>DATE</th> <th>TITLE</th> </tr> <tr> <td>LLIU10</td> <td>2008/03/14</td> <td rowspan="2">HINGED SIM SOCKET (SHIELDED TYPE)</td> </tr> <tr> <th>CHECKED BY</th> <th>DATE</th> </tr> <tr> <td></td> <td></td> <td></td> </tr> </table> | DRAWN BY | DATE | TITLE | LLIU10 | 2008/03/14 | HINGED SIM SOCKET (SHIELDED TYPE) | CHECKED BY | DATE | | | | MOLEX INCORPORATED | | | |
| | | mm | INCH | | | | | | | | | | | | | | | | | | | | | | | | | | | | | | |
| | 4 PLACES | ± --- | ± --- | | | | | | | | | | | | | | | | | | | | | | | | | | | | | | |
| 3 PLACES | ± --- | ± --- | | | | | | | | | | | | | | | | | | | | | | | | | | | | | | | |
| 2 PLACES | ± 0.25 | ± --- | | | | | | | | | | | | | | | | | | | | | | | | | | | | | | | |
| 1 PLACE | ± 0.3 | ± --- | | | | | | | | | | | | | | | | | | | | | | | | | | | | | | | |
| DRAWN BY | DATE | TITLE | | | | | | | | | | | | | | | | | | | | | | | | | | | | | | | |
| LLIU10 | 2008/03/14 | HINGED SIM SOCKET (SHIELDED TYPE) | | | | | | | | | | | | | | | | | | | | | | | | | | | | | | | |
| CHECKED BY | DATE | | | | | | | | | | | | | | | | | | | | | | | | | | | | | | | | |
| | | | | | | | | | | | | | | | | | | | | | | | | | | | | | | | | | |
| | | DRAFT WHERE APPLICABLE MUST REMAIN WITHIN DIMENSIONS | MATERIAL NO. 1050390001 | DOCUMENT NO. SD-105039-001 | SHEET NO. 1 OF 2 | | | | | | | | | | | | | | | | | | | | | | | | | | | | |



| | | | | | | | | | |
|--|-------------------------------|--|---|-----------------------------------|--------------------------------------|---|------------------------|--|--|
| PROPOSAL EC NO: SH2008-0653 DRW: LLIU10 2008/09/17 CHKD: YLZHU 2008/09/17 APPR: HWANG 2008/10/08 A | QUALITY SYMBOLS ▽=0 ◻=0 | GENERAL TOLERANCES (UNLESS SPECIFIED) | | DIMENSION STYLE MM ONLY | SCALE 1:1 | DESIGN UNITS METRIC | THIRD ANGLE PROJECTION | | |
| | | 4 PLACES ± --- ± --- 3 PLACES ± --- ± --- 2 PLACES ± 0.25 ± --- 1 PLACE ± 0.3 ± --- | mm INCH | DRAWN BY LLIU10 | DATE 2008/03/14 | TITLE HINGED SIM SOCKET (SHIELDED TYPE) | | | |
| | | ANGULAR ± 3 ° | | CHECKED BY | DATE | APPROVED BY | | | |
| | | DRAFT WHERE APPLICABLE MUST REMAIN WITHIN DIMENSIONS | | MATERIAL NO. 1050390001 | DOCUMENT NO. SD-105039-001 | MOLEX INCORPORATED | | | |
| | | SIZE A3 | THIS DRAWING CONTAINS INFORMATION THAT IS PROPRIETARY TO MOLEX INCORPORATED AND SHOULD NOT BE USED WITHOUT WRITTEN PERMISSION | | | | | | |
| | | | | | | SHEET NO. 2 OF 2 | | | |