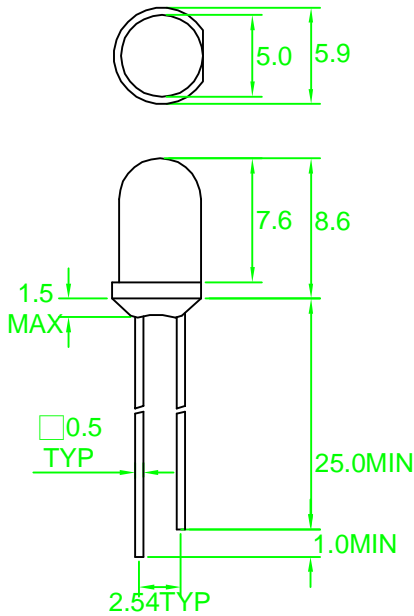




Package Dimension



Features

- Built-in IC chip flashes lamps on and off to attract attention
- Pulse rate 2.4Hz
- T-1 size
- 1 inch leads
- Large full flood radiating area
- IC compatible

Description

The LFHRF3363-PF series is a solid state lamp with a red diffused plastic lens. The built-in IC flashes the lamp on/off and can be driven directly by standard TTL and CMOS circuit eliminating the need for external switching circuitry.

Note:1.All dimension are in millimeter tolerance is $\pm 0.25\text{mm}$ unless otherwise noted
2.Specifications are subject to change without notice

• Part Selection And Application Information (Ratings At 25°C Ambient)

PART NO	MATERIAL	COLOR		Dominant wave length λ_{Dnm}	Spectral halfwidth $\Delta \lambda$ nm	Pulse rate(Hz) volt=5v		Luminous intensity volt=5v(mcd)		Operating voltage	
		Emitted	Lens			Min.	Max.	Min.	Typ.	Min.	Max.
LFHRF3363-PF	AlGaInP	Red	Water Clear	630	20	2.0	3.0	120	220	3.0	12

• Absolute Maximum Rating (Ta=25°C)

PARAMETER	RED		GREEN		YELLOW		ORANGE		UNIT	REMARK
	HRF									
Peak Current (1/4) Duty cycle	60								mA	
Operating Voltage	15								V	
Reverse Voltage	0.4								V	
Operating Temperature	0°C TO +85°C									
Storage Temperature	-20°C TO +85°C									



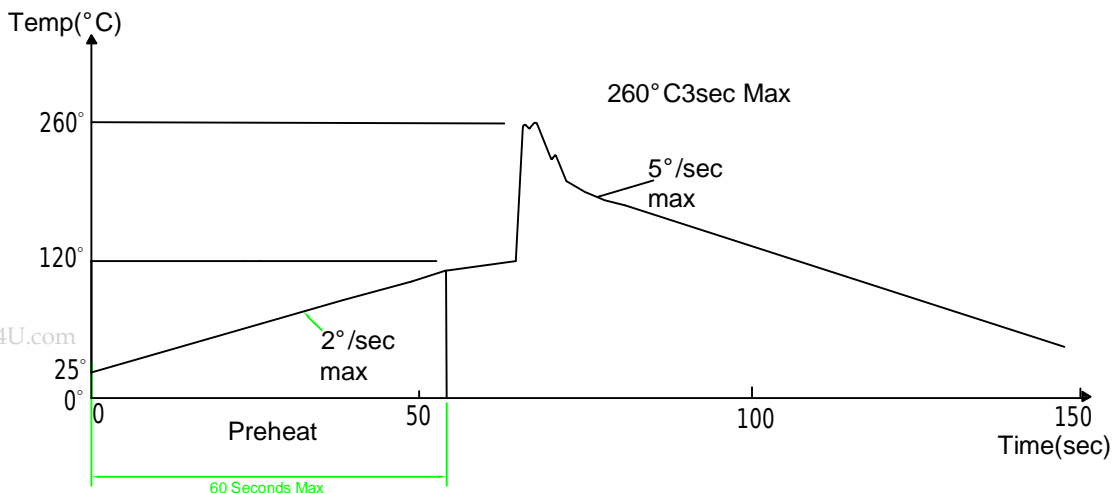
Soldering Condition(Pb-Free)

1.Iron:

- Soldering Iron:30W Max
- Temperature 350 ° C Max
- Soldering Time:3 Seconds Max(One Time)
- Distance:2mm Min(From solder joint to body)

2.Wave Soldering Profile

- Dip Soldering
- Preheat: 120° C Max
- Preheat time: 60seconds Max
- Ramp-up
- 2° C/sec(max)
- Ramp-Down:-5° C/sec(max)
- Solder Bath:260° C Max
- Dipping Time:3 seconds Max
- Distance:2mm Min(From solder joint to body)



www.DataSheet4U.com