



HL16 LED LIGHT ENGINE



FEATURES / BENEFITS

- ▲ Three LEDs complete with heatsink housing comparable to MR16 size
- ▲ Easy retrofit to existing MR16 fixtures
- ▲ Sub lens included for choice of light distribution
- ▲ Choice of 5 different colors
- ▲ Long life of 50,000hrs at 70°C PCB temperature
- ▲ Optimized thermal management
- ▲ No UV or IR
- ▲ Optional Onboard Drive

OPERATING CONDITIONS

- ▲ Operating Ambient Temperature -10°C to +40°C
- ▲ Maximum Current 350mA

MECHANICAL DIMENSIONS

Diameter = 50.0mm (1.97")
 Height = 35.0mm (1.38"), 37.5mm (1.48") with wide sub lens attached
 Lead Length = 500mm (19.68")

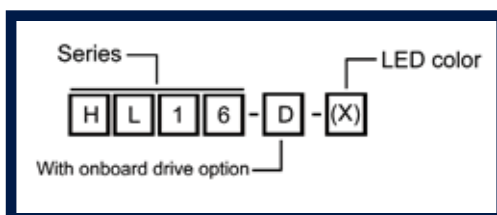
APPLICATION

- ▲ Accent lighting
- ▲ Landscape lighting
- ▲ Display cases
- ▲ Anywhere MR16 lamps are used

MATERIALS/FINISH

- ▲ Die Cast heatsink construction
- ▲ Wide sub-lens included

PART NUMBERS



LED Color (X)

- W = Cool White
- WW = Warm White
- R = Red
- G = Green
- B = Blue
- A = Amber

Dialight reserves the right to make changes at any time in order to supply the best product possible.

Dialight Corporation

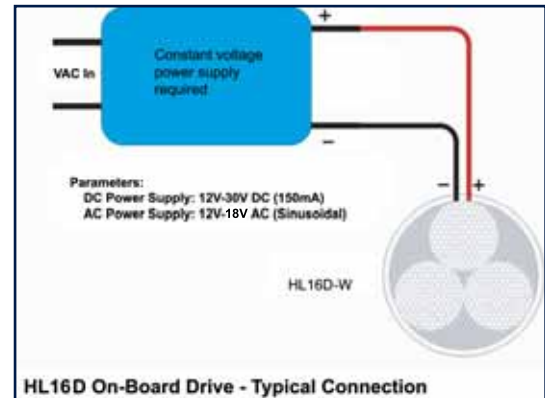
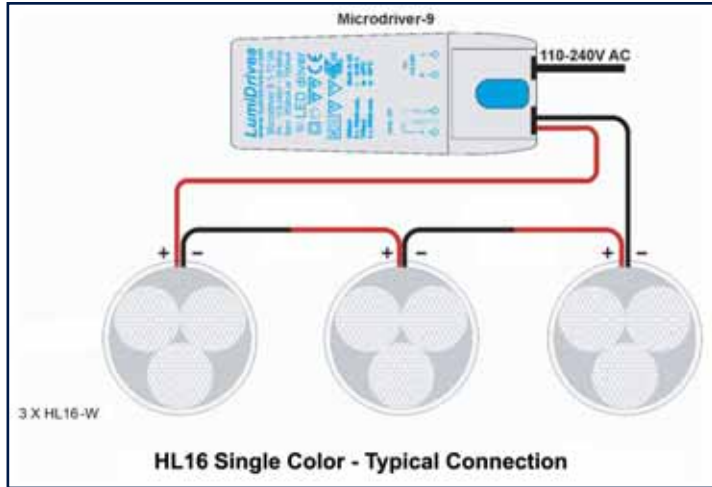
1501 Route 34 South • Farmingdale, NJ 07727 USA

Tel: (1) 732-919-3119 • Fax: (1) 732-751-5778 • www.dialight.com

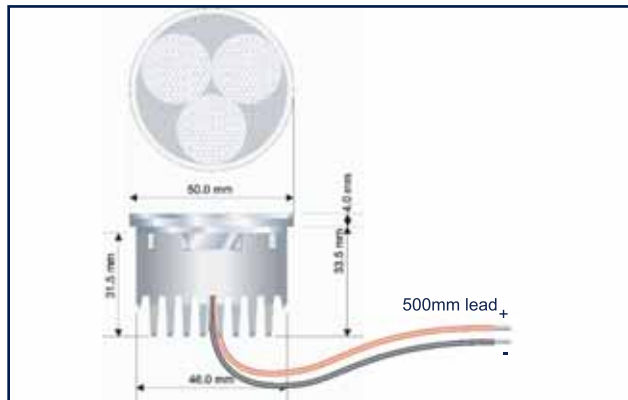


MDEXLUMHL16_C

WIRING INFORMATION



MECHANICAL DRAWING



ELECTRICAL SPECIFICATIONS

Power Consumption = 3.6 watts

Maximum Current = 350mA constant current

TYPICAL LED PHOTOMETRIC DATA

Color	Typical Light Output in Lumens/mW @ 350mA
W White	42 lm
B Blue	203 mW
G Green	42 lm
R Red	32 lm
A Amber	34 lm

HL16 modules are supplied with:
OPAA- 3-WSL Triple wide sub-lens

Results are LED manufacturer's test data @ 25°C JTC. Light output at 55°C PCB temperature will be approximately 15-20% lower. Elevated temperatures will result in further degradation of light output. For maximum performance use appropriate heat sinking.

Dialight reserves the right to make changes at any time in order to supply the best product possible.

Dialight Corporation
1501 Route 34 South • Farmingdale, NJ 07727 USA
Tel: (1) 732-919-3119 • Fax: (1) 732-751-5778 • www.dialight.com

