

## FEATURES

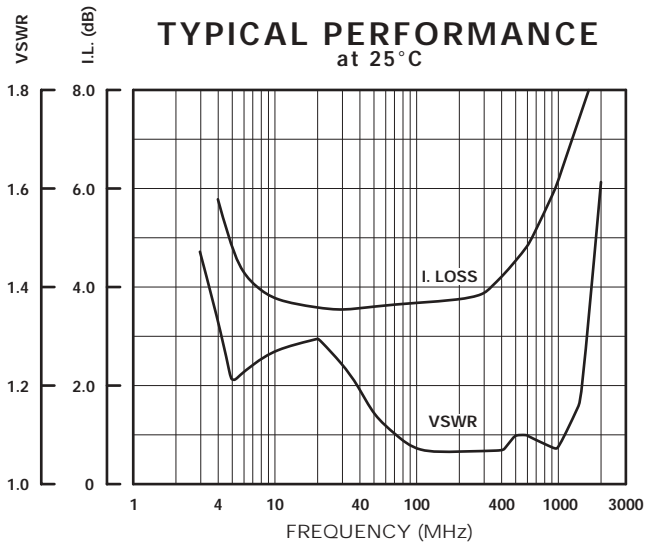
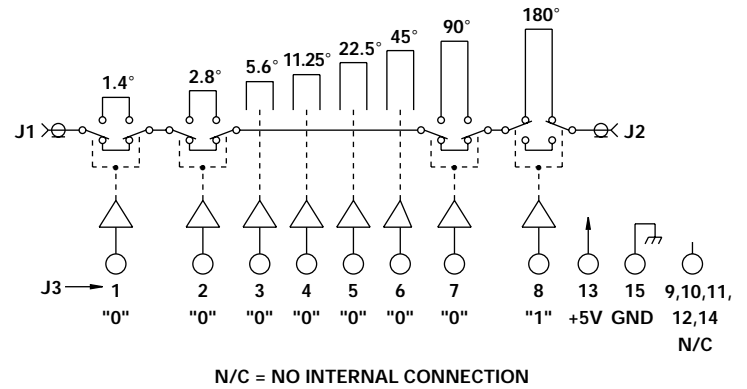
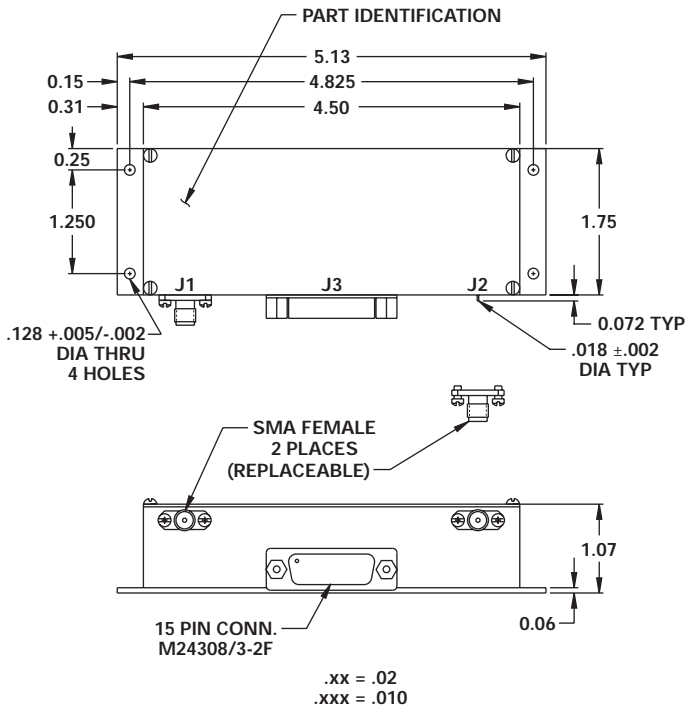
- 100 - 300 MHz
- 90 mA, +5 VDC
- Field Replaceable SMA Connectors



MODEL NO.  
DPS89032

## Phase Shifter 8 Section

8 BIT



## GUARANTEED PERFORMANCE

Parameter	Min	Typ	Max	Units	Conditions
Operating Frequency	100		300	MHz	Phase Tuned at Fc = 160 MHz
DC Current		90	200	mA	At +5 VDC Supply
Control Type		TTL			8 Line Logic "1" = Phase Shift
Control Current	High	43		µA	VIH = +2.7 V
	Low	89		µA	VIL = +0.5 V
Insertion Loss		3.75	4.0	dB	
Amplitude Vs. Phase Variation		0.03	±0.5	dB	At 160 MHz
Phase	Steps			DEG	1.4, 2.8, 5.6, 11.25, 22.5, 45, 90, 180
	Range	0	358.6	DEG	
	Accuracy		±0.7	DEG	At Fc = 160 MHz
VSWR		1.15/1	1.3/1		
Impedance		50		OHMS	
Switching Speed		0.8		µSec	50% TTL to 90% / 10% RF
Transition (Rise/Fall) Time		310		nSec	90% / 10% or 10% / 90% RF
Switching (Video) Transients		970		mV	Peak Value
Intercept Points	2nd	+82		dBm	475 MHz / 175 MHz
	3rd	+36		dBm	237.5 MHz / 175 MHz
RF Power	Operate	+16	+10	dBm	1.0 dB Compression
	No Damage			dBm	
Operating Temperature	-55	+25	+85	°C	TA