

PLEASE CHECK WWW.MOLEX.COM FOR LATEST PART INFORMATION

Part Number: [0355250200](#)
Status: **Active**
Description: 1.78mm (.070") Tab Multiple Female Housing, 2 Circuits, Vertical

Documents:

[Drawing \(PDF\)](#) [RoHS Certificate of Compliance \(PDF\)](#)
[Product Specification PS-35524-001 \(PDF\)](#)

General

Product Family	Crimp Housings
Series	35525
Product Name	N/A

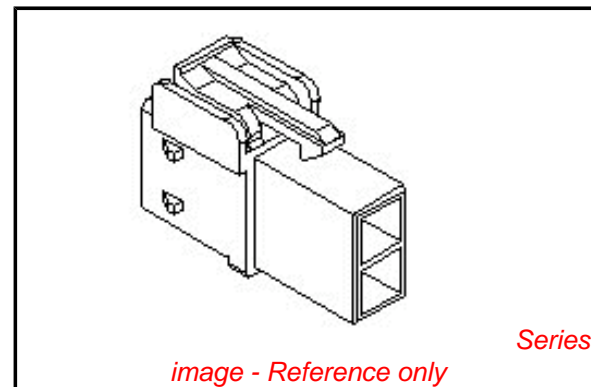
Physical

Circuits (maximum)	2
Color - Resin	Natural
Gender	Female
Glow-Wire Compliant	No
Material - Resin	Polyester
Number of Rows	2
Packaging Type	Bag
Panel Mount	No
Pitch - Mating Interface (in)	0.244 In
Pitch - Mating Interface (mm)	6.20 mm
Stackable	No
Temperature Range - Operating	-40°C to +120°C

Material Info

Reference - Drawing Numbers

Product Specification	PS-35524-001
Sales Drawing	SD-35525-001



EU RoHS

**ELV and RoHS
Compliant**
REACH SVHC
 Not Reviewed
**Halogen-Free
Status**
 Not Reviewed

China RoHS



**Need more information on product
environmental compliance?**

Email productcompliance@molex.com
 For a multiple part number RoHS Certificate of
 Compliance, [click here](#)

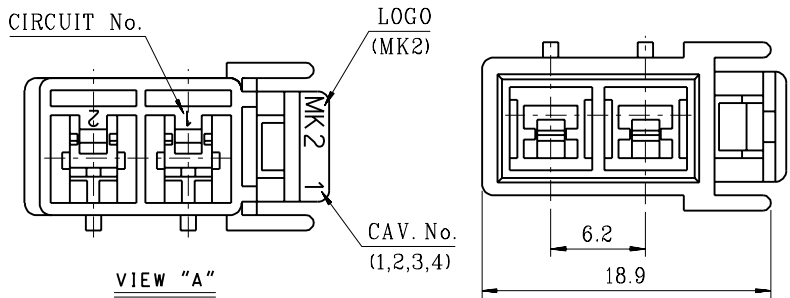
Please visit the [Contact Us](#) section for any
 non-product compliance questions.

Search Parts in this Series
[35525Series](#)

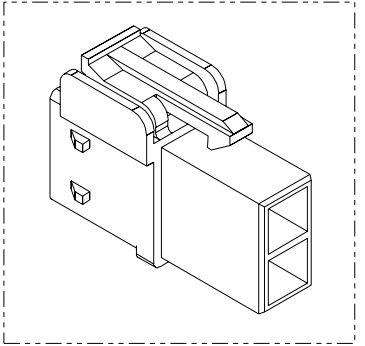
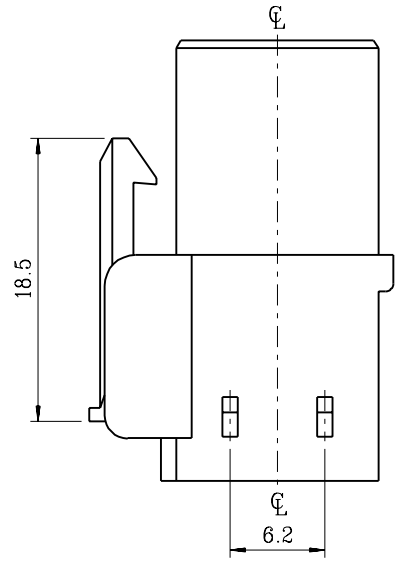
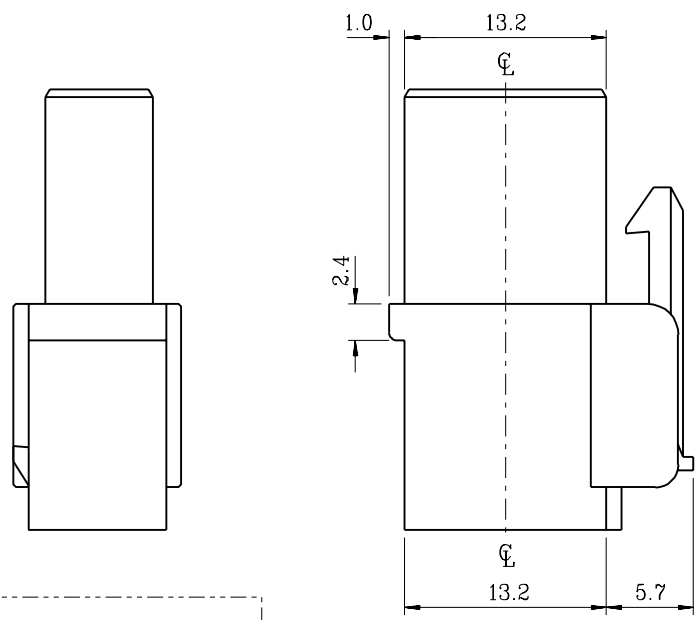
Mates With
[35524](#)

Use With
[35150](#) , [35745](#)

DWG. NO. SD 35525-001
 PROJECT NO. SIMILAR ITEM
 DO NOT SCALE DRAWING DIMENSION IN METRIC



- NOTES
1. MATERIAL : POLYESTER(P.B.T), UL94V-0
 2. COLOR : 35525-0200 (NATURAL)
35525-0204 (BLUE)
 3. MATED HOUSING : 35524-092*
 4. APPLICABLE TERMINAL : 35745-0*10
 5. MATED T.P.A : 35150-029*



↑
"A"

REVISED	ECN NO. KOR2002-0130 DRWN: C.B.CHIN 02/05/18 CHK: M.Y.YANG APPR: C.W.LEE	DESCRIPTION	QUALITY SYMBOLS	GENERAL TOLERANCES: (UNLESS SPECIFIED)		SCALE	DESIGN UNITS	THIRD ANGLE PROJECTION	DIMENSIONS:		SHT	REV
			MAJOR : 0	mm	INCH	3:1	<input checked="" type="checkbox"/> mm <input type="checkbox"/> INCH		<input type="checkbox"/> mm <input type="checkbox"/> INCH <input checked="" type="checkbox"/> mm ONLY	REVISE ON CAD ONLY		
A2	REV	DRAFT WHERE APPLICABLE MUST REMAIN WITHIN DIMENSIONS	CRITICAL C : 0	4 PLACES ±0. ±.		DRAWN BY & DATE J.S.KANG 97.06.20		TITLE: .070 MULTI CONN' FEMALE HOUSING-2P				
				3 PLACES ±0. ±.		CHECKED BY & DATE B.K.CHOI 97.06.20						
				2 PLACES ±0.3 ±.		APPROVED BY & DATE C.W.LEE 97.06.20		MOLEX INCORPORATED				
				1 PLACE ±0.3 ±.		CAD FILENAME S35525.DGN		MATERIAL NO. SEE NOTES		DRAWING NO. SD-35525-001		SHEET NO. 1 OF 1
				ANGULAR: ± °		THIS DRAWING CONTAINS INFORMATION THAT IS PROPRIETARY TO MOLEX INCORPORATED AND SHOULD NOT BE USED WITHOUT WRITTEN PERMISSION.						
						KOREA						