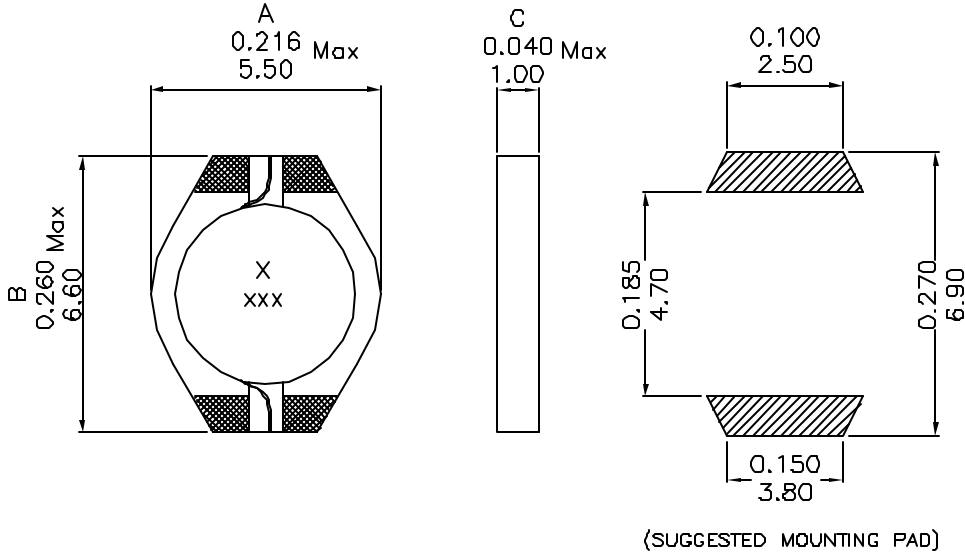


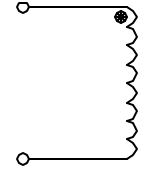
XF1704-xxxM SERIES INDUCTORS

- TRUE SURFACE MOUNT DESIGN
- TAPE & REEL PACKAGING STANDARD, 1000 PCS PER 7" REEL
- CUSTOM DESIGNS AVAILABLE AT NO EXTRA CHARGE
- ECONOMICAL LOW COST SOLUTION FOR ALL OF YOUR POWER NEEDS
- OPERATING RANGE FROM -40°C TO 85°C

Mechanical Dimensions:



Schematic:



UNLESS OTHERWISE SPECIFIED
 TOLERANCES:
 .xxx ±0.010 / 0.25
 Dimensions in INCH/MM

PART NUMBER	INDUCTANCE ¹ { μ H \pm 20%}	DCR Max. (Ohms)	SRF Typ. {MHz}	ISAT ² (A)	IRMS ³ (A)
XF1704-122M	1.2	0.08	190	2.1	3.6
XF1704-152M	1.5	0.10	140	1.9	2.8
XF1704-222M	2.2	0.14	115	1.6	2.4
XF1704-332M	3.3	0.16	90	1.3	2.0
XF1704-472M	4.7	0.20	88	1.1	1.7
XF1704-682M	6.8	0.32	66	0.90	1.2
XF1704-103M	10	0.41	55	0.80	1.1
XF1704-153M	15	0.55	42	0.65	0.90
XF1704-223M	22	0.85	38	0.50	0.83
XF1704-333M	33	1.30	29	0.40	0.62
XF1704-473M	47	1.80	22	0.35	0.52
XF1704-683M	68	2.50	18	0.30	0.35
XF1704-104M	100	3.50	14	0.25	0.27
XF1704-154M	150	5.00	12	0.18	0.24
XF1704-224M	220	7.00	10	0.16	0.23
XF1704-334M	330	15.0	8	0.13	0.13

1. Tested @ 100KHz, 0.1 Vrms.
2. Inductance drop=10% typ. at rated Isat.
3. $\Delta T=40^\circ\text{C}$ rise typ. at Irms.
4. Operating temperature range -40°C to +85°C.
5. Electrical Specifications at 25°C.