

SILICO SCHOTTKY DETECTOR DIODE

DESCRIPTION:

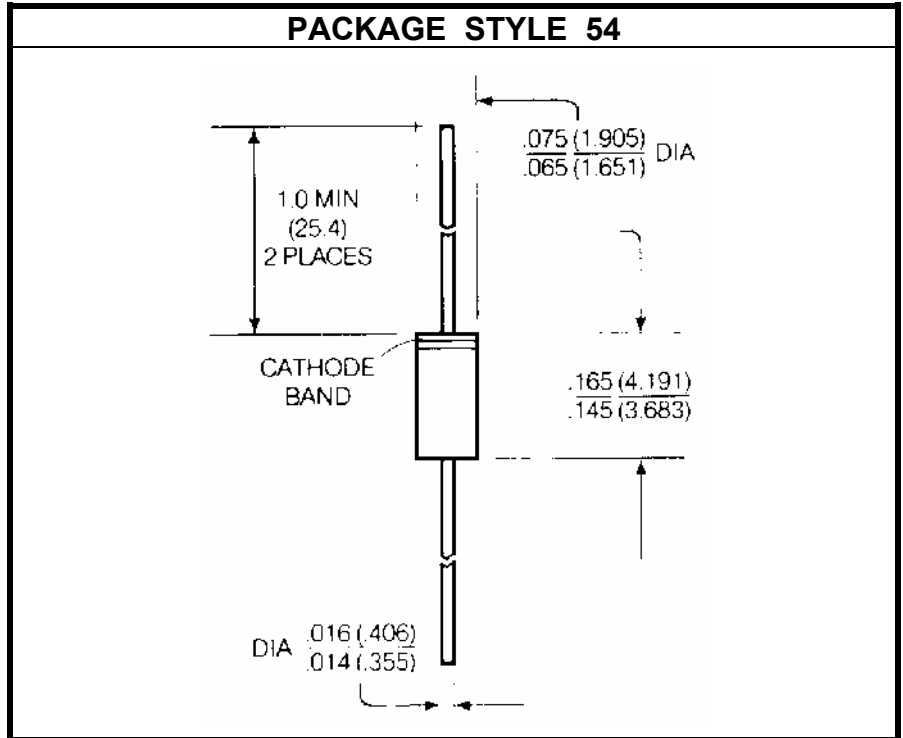
The **ASI MA40053-54** is a Silicon Schottky Detector Diode designed for use in Stripline, coaxial detectors and waveguides.

FEATURES:

- High Sensitivity.
- Low Noise Figure.

MAXIMUM RATINGS

I	2.0 mA
V	400 mV
P_{DISS}	250 mW @ T _C = 25 °C
T_J	-65 °C to +150 °C
T_{STG}	-65 °C to +150 °C


CHARACTERISTICS T_C = 25 °C

SYMBOL	TEST CONDITIONS	MINIMUM	TYPICAL	MAXIMUM	UNITS
T _{SS}	The video amplifier bandwidth is 1 MHz and the nominal amplifier noise figure is 3 dB. DC impedance is 10K Ω. The DC bias is 20 μA. RF Power = 30 dBm. The DC forward bias is + 20 μA.			-55	dBm
Video Imp.	RF Power = 30 dBm. The DC forward bias is + 20 μA. Measured at the indicated test frequency and at -30 dBm RF power	1.0		2.0	kΩ
Test Freq.			3.0		GHz