

Gas Discharge Tube: GQF Series

SMD 3-Electrode $\Phi 5 \times 7.2$ mm Type



■ Features

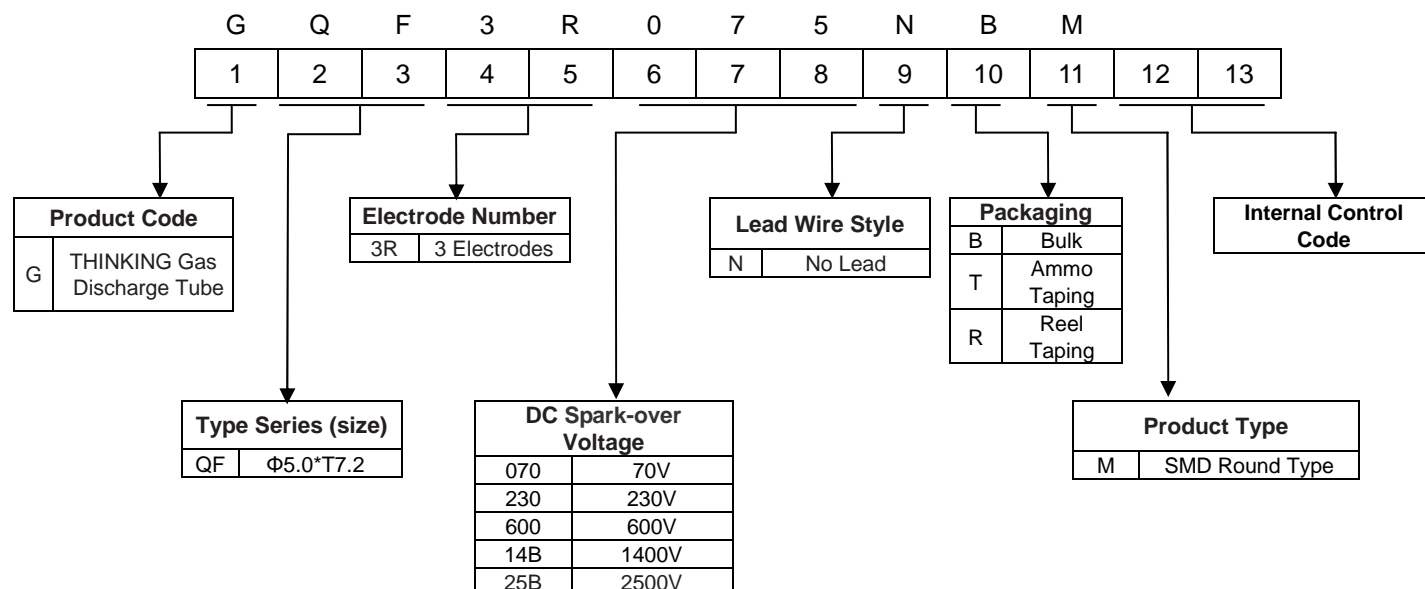
1. RoHS compliant
2. Rugged ceramic-metal construction
3. DC spark-over voltage : 75~1100V
4. Low capacitance
5. Agency recognition :UL/cUL



■ Recommended Applications

1. Data transmission lines
2. Communication lines
3. CATV system
4. Power distribution system
5. Power supplier
6. Test equipment
7. Instrumentation circuits

■ Part Number Code



Gas Discharge Tube: GQF Series

SMD 3-Electrode $\Phi 5*7.2$ mm Type



■ Characteristics

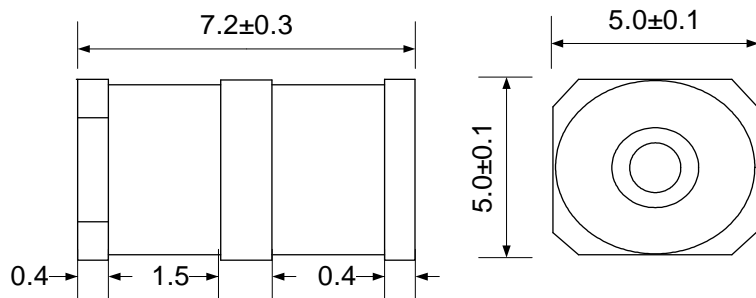
Type	DC Breakdown Voltage	Max. Impulse Breakdown Voltage		Impulse Discharge Current (8/20 μ s)		Impulse Life (10/1000 μ s)	Normal Alternating Discharge Current		DC Holdover voltage	Minimum Insulation Resistance	Maximum Capacitance (1MHz)	Safety approvals			
	(100V/S)	100V/ μ s	1KV/ μ s	1 time	10 times	200A	50Hz, 1Sec	Single 9 Cycles	<150ms			(G Ω)	(pF)	UL 1449/ cUL	UL 497B
	(V)	(V)	(V)	(KA)		Times	(A)		(V)						
GQF3R075NRM	75 \pm 20%	600	700	10	5	300	5	30	52	1	2		√		
GQF3R090NRM	90 \pm 20%	500	600	10	5		5	30	52			√			
GQF3R120NRM	120 \pm 20%	500	600	10	5		5	30	80			√			
GQF3R150NRM	150 \pm 20%	500	600	10	5		5	30	80			√			
GQF3R200NRM	200 \pm 20%	600	700	15	10		10	60	135			√			
GQF3R230NRM	230 \pm 20%	600	700	15	10		10	60	135			√			
GQF3R250NRM	250 \pm 20%	600	700	15	10		10	60	135			√			
GQF3R350NRM	350 \pm 20%	650	750	15	10		10	60	135			√			
GQF3R400NRM	400 \pm 20%	700	800	15	10		10	60	135			√			
GQF3R420NRM	420 \pm 20%	700	800	15	10		10	60	135			√			
GQF3R470NRM	470 \pm 20%	800	900	15	10		10	60	135			√			
GQF3R600NRM	600 \pm 20%	900	1000	10	5		5	60	135			√			
GQF3R800NRM	800 \pm 20%	1150	1400	10	5		5	30	135			√			
GQF3R11BNRM	1100 \pm 20%	1450	1750	10	5		5	30	135			√			

Note1: UL / 497B→ File No. E245070, UL / 1449 3rd→ File No.E314979

Note 2: Insulation resistance test conditions:

DC Breakdown Voltage	DC Measuring Voltage
70-90V	50V
120-400V	100V
420-800V	250V
1000-2000V	500V

■ Dimension

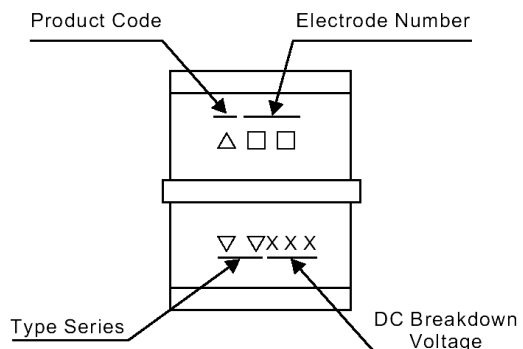


Gas Discharge Tube: GQF Series

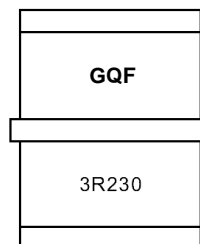
SMD 3-Electrode $\Phi 5*7.2$ mm Type



■ Marking

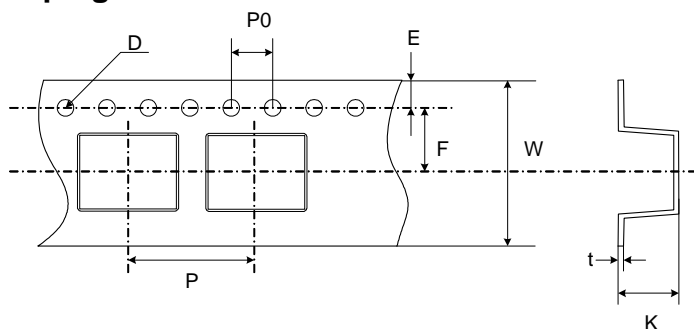


Example



■ Packaging

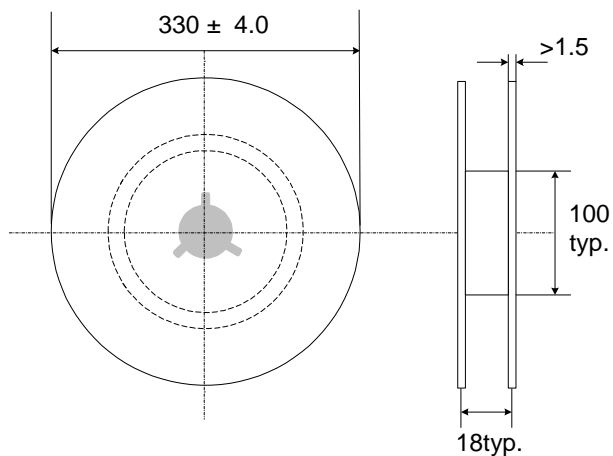
● Taping



Quantity : 900pcs per reel (13")

Unit: mm

ITEM	P	P0	W	F	E	D	K	t
Spec.	12.0	4.0	16.0	7.5	1.75	$\Phi 1.55$	5.5	0.5
Tol.	± 0.1	± 0.1	± 0.3	± 0.1	± 0.1	± 0.05	± 0.1	± 0.05



Gas Discharge Tube: GQF Series

SMD 3-Electrode $\Phi 5 \times 7.2$ mm Type



■ Storage Conditions of GDT

(I) Storage conditions:

1. Storage Temperature: $-10^{\circ}\text{C} \sim +40^{\circ}\text{C}$.
2. Relative humidity: $\leq 75\% \text{RH}$.
3. Gas discharge tube must be kept away from sunlight and stored in a non-corrosive atmosphere.

(II) Shelf life: 1 year.