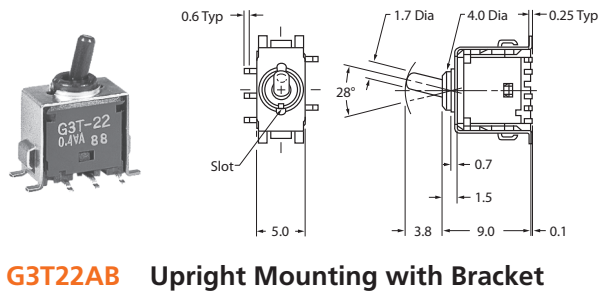
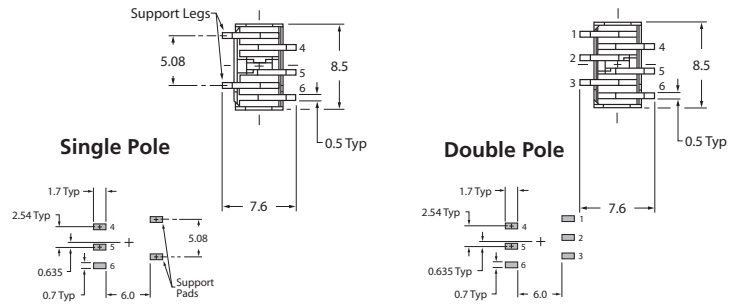
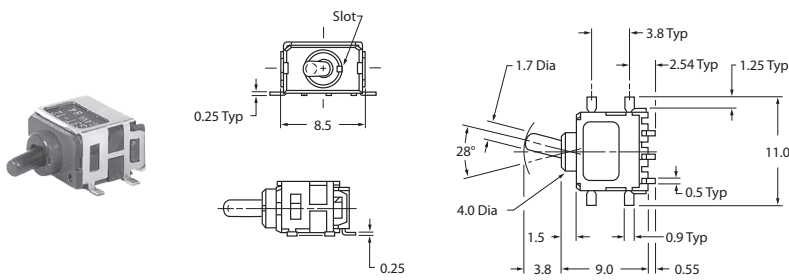
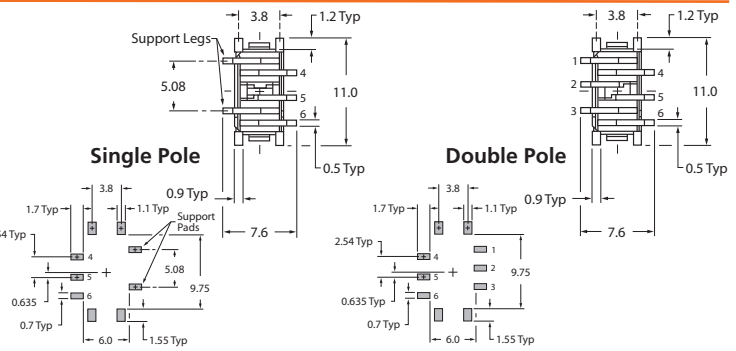


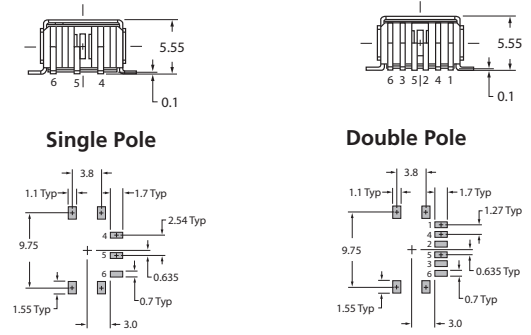
**G3T12AP Upright Mounting**



**G3T22AB Upright Mounting with Bracket**

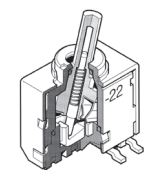


**G3T12AH Right Angle Mounting**



POLES & CIRCUITS		Toggle Position			Connected Terminals			Throw & Schematics
Pole	Model	Up 	Center 	Down 	Up 	Center 	Down 	Note: Terminal numbers are not actually on the switch
SP	G3T12	ON	NONE	ON	5-6	OPEN	5-4	SPDT 
	G3T13	ON	OFF	ON				
	G3T15	ON	NONE	MOM				
	G3T18	MOM	OFF	MOM				
	G3T19	ON	OFF	MOM				
DP	G3T22	ON	NONE	ON	5-6 2-3	OPEN	5-4 2-1	DPDT 
	G3T23	ON	OFF	ON				
	G3T25	ON	NONE	MOM				
	G3T28	MOM	OFF	MOM				
	G3T29	ON	OFF	MOM				

**CUTAWAY**



### How to order:

G3T     -

- 1** POLES:  
1 SPDT  
2 DPDT
- 2** CIRCUITS:  
2 ON-NONE-ON  
3 ON-OFF-ON  
5 ON-NONE-MOM  
8 MOM-OFF-MOM  
9 ON-OFF-MOM
- 3** ACTUATOR:  
A 3.8mm Column Toggle

- 4** TERMINALS:  
P Gull Wing for Upright Mount  
B Gull Wing for Upright with Bracket  
H Gull Wing for Right Angle
- 5** PACKAGING:  
R Tape-Reel for Right Angle Only  
S Stick-Tube for Upright Mount  
No Code Partitioned Tray for Upright & Right Angle; Any Quantity

### General Specifications:

**ELECTRICAL CAPACITY (Resistive Load)**  
 » Logic Level: 0.4VA max. @28V AC/DC max.  
 (Applicable Range 0.1mA~0.1A@20mV~28V)

**OTHER RATINGS:**  
 » Contact Resistance: 80mΩ max.  
 » Insulation Resistance: 500MΩ min. @500VDC  
 » Mechanical Life: 50,000 operations min.  
 » Electrical Life: 50,000 operations min.  
 » Nominal Operating Force: 1.6N for momentary and 1.7N for maintained  
 » Angle of Throw: 28°

**MATERIALS**  
 » Contacts: Phosphor bronze with gold plating  
 » Terminals: Phosphor bronze with gold plating

**ENVIRONMENTAL DATA**  
 » Operating Temperature: -30°C through +85°C

**PCB PROCESSING**  
 » Soldering: Reflow soldering recommended.  
 Manual Soldering 4 sec. max. @ 410°C max.

