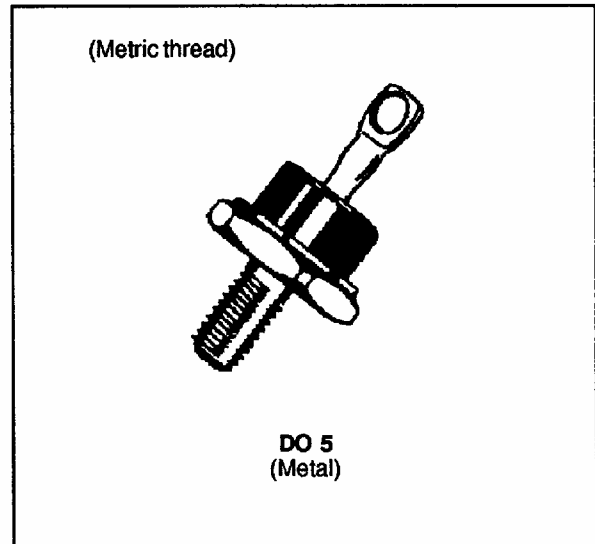


FAST RECOVERY RECTIFIER DIODES

- VERY FAST RECOVERY TIME
- HIGH SURGE CURRENT CAPABILITY
- VERY LOW FORWARD RECOVERY TIME
- VERY LOW RECOVERED CHARGE



APPLICATIONS

- DC AND AC MOTOR CONTROL
- SWITCH MODE POWER SUPPLY
- HIGH FREQUENCY CHOPPERS

ABSOLUTE MAXIMUM RATINGS (limiting values)

Symbol	Parameter		Value	Unit
I_{FRM}	Repetive Peak Forward Current	$t_p \leq 20\mu s$	500	A
$I_{F(AV)}$	Average Forward Current	$T_C = 90^\circ C$	60	A
I_{FSM}	Surge non Repetitive Forward Current	$t_b = 10ms$ Sinusoidal	800	A
P_{tot}	Power Dissipation	$T_C = 90^\circ C$	110	W
T_{stg} T_J	Storage and Junction Temperature Range		- 65 to + 165 - 65 to + 165	$^\circ C$

Symbol	Parameter	ESM 243-					Unit
		50	100	200	300	400	
V_{RRM}	Repetitive Peak Reverse Voltage	50	100	200	300	400	V

THERMAL RESISTANCE

Symbol	Parameter	Value	Unit
$R_{th(j-c)}$	Junction-case	0.7	$^\circ C/W$

ELECTRICAL CHARACTERISTICS**STATIC CHARACTERISTICS**

Symbol	Test Conditions		Min.	Typ.	Max.	Unit
I_R	$T_j = 100^\circ\text{C}$	$V_R = V_{RRM}$			10	mA
V_F	$T_j = 25^\circ\text{C}$	$I_F = 60\text{A}$			1.5	V

RECOVERY CHARACTERISTICS

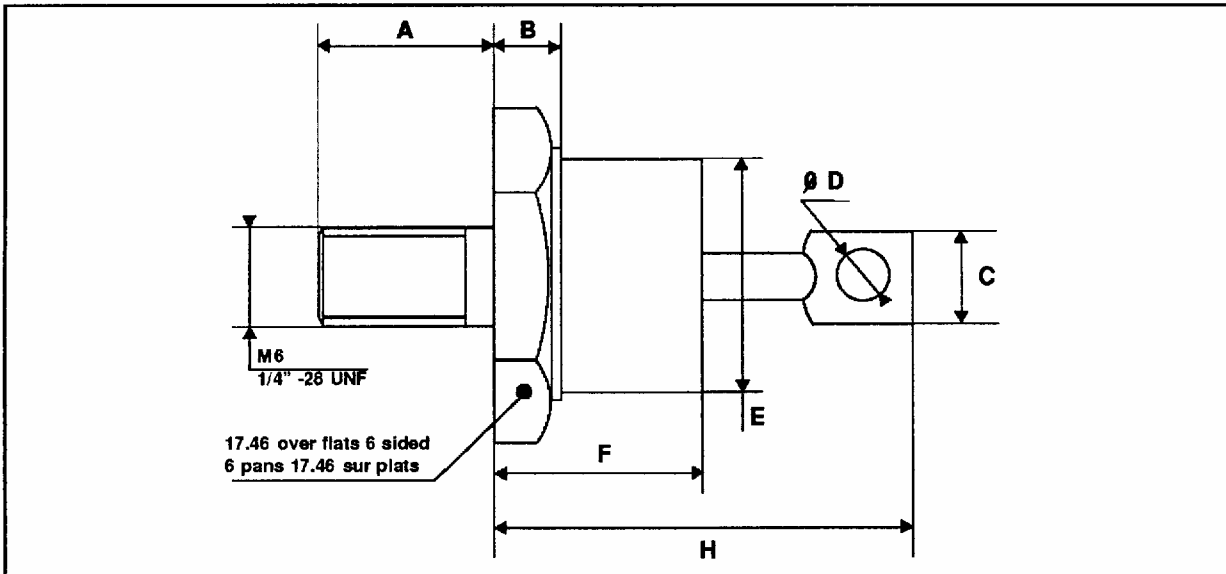
Symbol	Test Conditions			Min.	Typ.	Max.	Unit
t_{rr}	$T_j = 25^\circ\text{C}$ $V_R = 30\text{V}$	$I_F = 1\text{A}$	$di_F/dt = -15\text{A}/\mu\text{s}$			100	ns
Q_{rr}	$T_j = 25^\circ\text{C}$ $V_R = 30\text{V}$	$I_F = 1\text{A}$	$di_F/dt = -15\text{A}/\mu\text{s}$			0.075	μC
I_{RM}	$T_j = 25^\circ\text{C}$ $V_R = 30\text{V}$	$I_F = 1\text{A}$	$di_F/dt = -15\text{A}/\mu\text{s}$			1.5	A

To evaluate the conduction losses use the following equations :

$$V_F = 1.15 + 0.004 I_F \quad P = 1.15 \times I_{F(AV)} + 0.004 I_{F(RMS)}^2$$

PACKAGE MECHANICAL DATA

DO 5 Metal



REF.	DIMENSIONS					
	Millimeters			Inches		
	Min.	Typ.	Max.	Min.	Typ.	Max.
A	10.72		12.70	0.422		0.500
B	2.93		5.08	0.115		0.200
C			9.52			0.375
D	3.56		4.44	0.140		0.175
E			16.94			0.667
F			12.70			0.500
H			25.40			1

Cooling method : by conduction (method C)
 Marking : Cathode connected to case : type number
 Anode connected to case : type number + suffix R (consult us for these reserve version datasheets)
 Weight : 18.84g
 Recommended torque value : 250cm. N
 Maximum torque value : 310cm. N

Information furnished is believed to be accurate and reliable. However, SGS-THOMSON Microelectronics assumes no responsibility for the consequences of use of such information nor for any infringement of patents or other rights of third parties which may result from its use. No license is granted by implication or otherwise under any patent or patent rights of SGS-THOMSON Microelectronics. Specifications mentioned in this publication are subject to change without notice. This publication supersedes and replaces all information previously supplied. SGS-THOMSON Microelectronics products are not authorized for use as critical components in life support devices or systems without express written approval of SGS-THOMSON Microelectronics.

© 1994 SGS-THOMSON Microelectronics - Printed in Italy - All rights reserved.

SGS-THOMSON Microelectronics GROUP OF COMPANIES

Australia - Brazil - France - Germany - Hong Kong - Italy - Japan - Korea - Malaysia - Malta - Morocco - The Netherlands
 Singapore - Spain - Sweden - Switzerland - Taiwan - Thailand - United Kingdom - U.S.A.