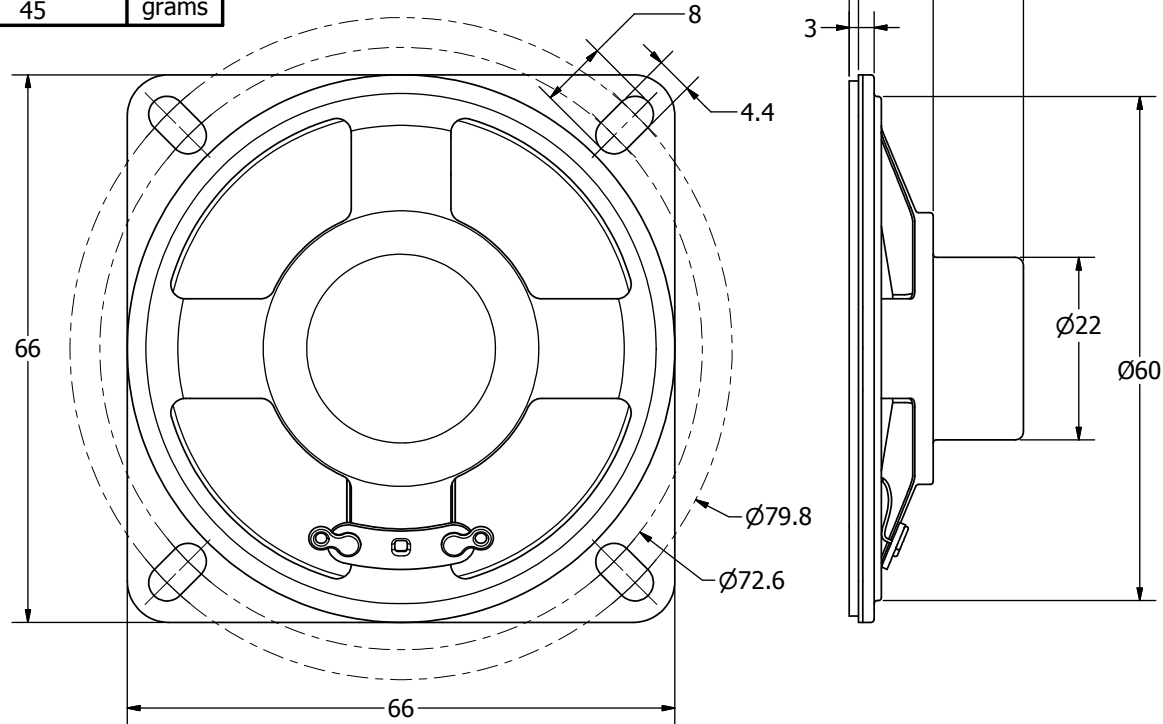


| SPECIFICATIONS | | |
|---|-------------|-------|
| PARAMETERS | VALUES | UNITS |
| RATED INPUT POWER | .5 | W |
| MAX INPUT POWER | 1 | W |
| IMPEDANCE | 8 ± 15% | OHM |
| OUTPUT SPL @ 1W/1M (AT 1.0, 1.2, 1.5, 2.0 kHz) | 94 ± 3 | dBA |
| DISTORTION (MAX.) | 5% | - |
| RESONANT FREQUENCY | 300 ± 60% | Hz |
| FREQUENCY RANGE | 300 ~ 3,100 | Hz |
| HOUSING MATERIAL | METAL | - |
| CONE MATERIAL | PAPER | - |
| MAGNET MATERIAL | ALNICO | - |
| OPERATING TEMPERATURE | -20 ~ +55 | °C |
| WEIGHT | 45 | grams |


THIS DOCUMENT CONTAINS DATA PROPRIETARY TO PROJECTS UNLIMITED, INC. ANY USE OR REPRODUCTION, IN ANY FORM, WITHOUT PRIOR WRITTEN PERMISSION OF PROJECTS UNLIMITED, INC. IS PROHIBITED.
©2003, Projects Unlimited Inc.

| REVISION HISTORY | | | |
|------------------|--|-----------|----------|
| LTR | DESCRIPTION | DATE | APPROVED |
| - | RELEASED FROM ENGINEERING | 3/31/2005 | |
| A | REMOVED LEAD FREE ADDED RoHS NOTE | 8/10/2005 | |
| B | REVISED TO INVENTOR 3-D DRAWING TEMPLATE | 6/23/2008 | B.R. |



NOTES:

1. ALL DIMENSIONS ARE IN MILLIMETERS.
2. SPECIFICATIONS SUBJECT TO CHANGE OR WITHDRAWAL WITHOUT NOTICE.
3. THIS PART IS RoHS 2002/95/EC COMPLIANT.

| | | | | | | | | | |
|--|---|-------------|---------------|------------|-----------|-------------|-----------|--------------|----------------|
| UNLESS OTHERWISE SPECIFIED: DIMENSIONS ARE IN MILLIMETERS, TOLERANCES ARE ±0.5 AND ANGLES ARE ±3°. | SIZE | Designed by | Date | Checked by | Date | Approved by | Date | Drawn Date | |
| | A3 | G.V. | 3/30/2005 | R.W. | 3/31/2005 | E.P. | 3/31/2005 | 6/23/2008 | |
| AS06608PS-2-R.idw |  | | AS06608PS-2-R | | | Speaker | | Edition - | Sheet 1 / 1 |