

CMOS 8-BIT SINGLE-CHIP MICROCOMPUTER (TLCS-48C)

TMP80C48AP/TMP80C48AP-6
TMP80C35AP/TMP80C35AP-6
TMP80C48AU/TMP80C48AU-6

1. GENERAL DESCRIPTION AND FEATURES

The TMP80C48A is a single chip microcomputer fabricated in Silicon Gate CMOS technology which provides internal 8-bit parallel architecture.

The following basic architectural functions of a computer have been included in a single chip; an 8-bit CPU, 64×8 RAM data memory, $1K \times 8$ ROM program memory, 27 I/O lines and an 8-bit timer/event counter.

The TMP80C48A is particularly efficient as a controller. It has extensive bit handling capability as well as facilities for both binary and BCD arithmetic.

The TMP80C35A/-6 is the equivalent of a TMP80C48A/-6 without ROM program memory on chip. By using this device with external EPROM or RAM, software debugging becomes easy.

The TMP80C48AP/-6 and TMP80C35AP/-6 are in a standard Dual Inline Package.

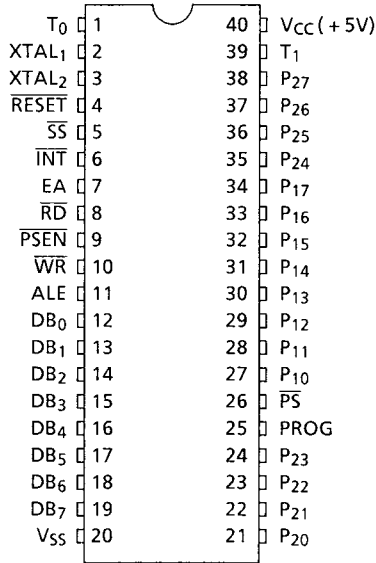
The TMP80C48AU/-6 is in a 44-pin Micro Flat Package.

FEATURES

- TMP80C48AP/TMP80C35AP/TMP80C48AU
1.36 μ s Instruction Cycle Time -40°C to 85°C , $5\text{V} \pm 10\%$
- TMP80C48AP-6/TMP80C35AP-6/TMP80C48AU-6
2.5 μ s Instruction Cycle Time -40°C to 85°C , $5\text{V} \pm 20\%$
- Software Upward Compatible with TMP8048AP/INTEL's 8048
- $1K \times 8$ masked ROM / 64×8 RAM
- Low Power
10mA MAX. in Normal Operation ($V_{CC} = 5\text{V}$, $f_{XTAL} = 6\text{MHz}$)
10 μ A MAX. in Power Down Mode ($V_{CC} = 5\text{V}$, $f_{XTAL} : \text{DC}$)
- Power Down Mode (Stand-by Mode)
- Halt Mode (Idle Mode)

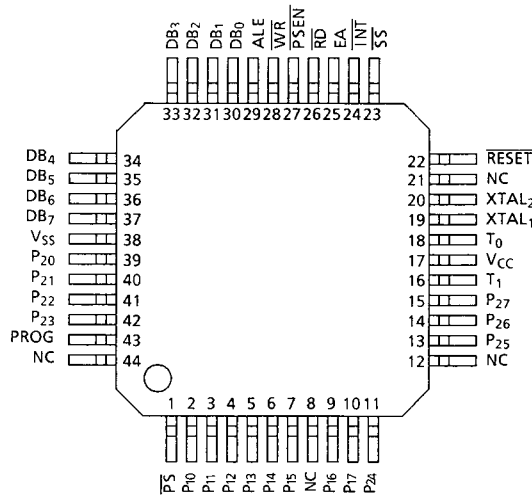
2. PIN CONNECTIONS AND PIN FUNCTIONS

2.1 Pin Connections (Top View)



020989

Figure 2.1 DIP Pin Connections



020989

Figure 2.1 Micro Flat Package Pin Connections

2.2 Pin Names And Pin Description

- V_{SS} (Power Supply)
Circuit GND potential
- V_{CC} (Power Supply)
+5V during operation
- \overline{PS} (Input)
The control signal for the power saving at the power down mode (Active Low)
- PROG (Output)
Output strobe for the TMP82C43P I/O expander.
- P_{10} - P_{17} (Input/Output) Port1
8-bit quasi-bidirectional port (Internal Pullup \approx 50K Ω).
- P_{20} - P_{27} (Input/Output) Port2
8-bit quasi-bidirectional port (Internal Pullup \approx 50K Ω).
 P_{20} - P_{23} contain the four high order program counter bits during an external program memory fetch and serve as a 4-bit I/O expander bus for the TMP82C43P.
- DB_0 - DB_7 (Input/Output, Tri-State)
True bidirectional port which can be written or read synchronously using the \overline{RD} , \overline{WR} strobes. The port can also be statically latched. Contains the 8 low order program counter bits during an external program memory fetch, and receives the addressed instruction under the control of \overline{PSEN} .
Also contains the address and data during an external RAM data store instruction, under control of ALE, \overline{RD} , and \overline{WR} .
- T_0 (Input/Output)
Input pin testable using the conditional transfer instructions JT_0 and JNT_0 . T_0 can be designated as a clock output using ENT_0 CLK instruction.
- T_1 (Input)
Input pin testable using the JT_1 and JNT_1 instruction. Can be designated the event counter input using the timer/STRT CNT instruction.
- \overline{INT} (Input)
External interrupt input. Initiates an interrupt if interrupt is enabled. Interrupt is disabled after a reset. Also testable with conditional jump instruction. (Active low)

- \overline{RD} (Output)

Output strobe activated during a Bus read. Can be used to enable data onto the Bus from an external device. Used as a Read Strobe to External Data Memory (Active Low).
- \overline{WR} (Output)

Output strobe during a Bus write (Active Low). Used as a Write Strobe to External Data Memory.
- \overline{RESET} (Input)

Active Low signal which is used to initialize the Processor. Also used during the power down mode.
- ALE (Output)

Address Latch Enable. This signal occurs once during each cycle and is useful as a clock output. The negative edge of ALE strobes address into external data and program memory.
- \overline{PSEN} (Output)

Program Store Enable. This output occurs only during a fetch to external program memory (Active Low).
- \overline{SS} (Input)

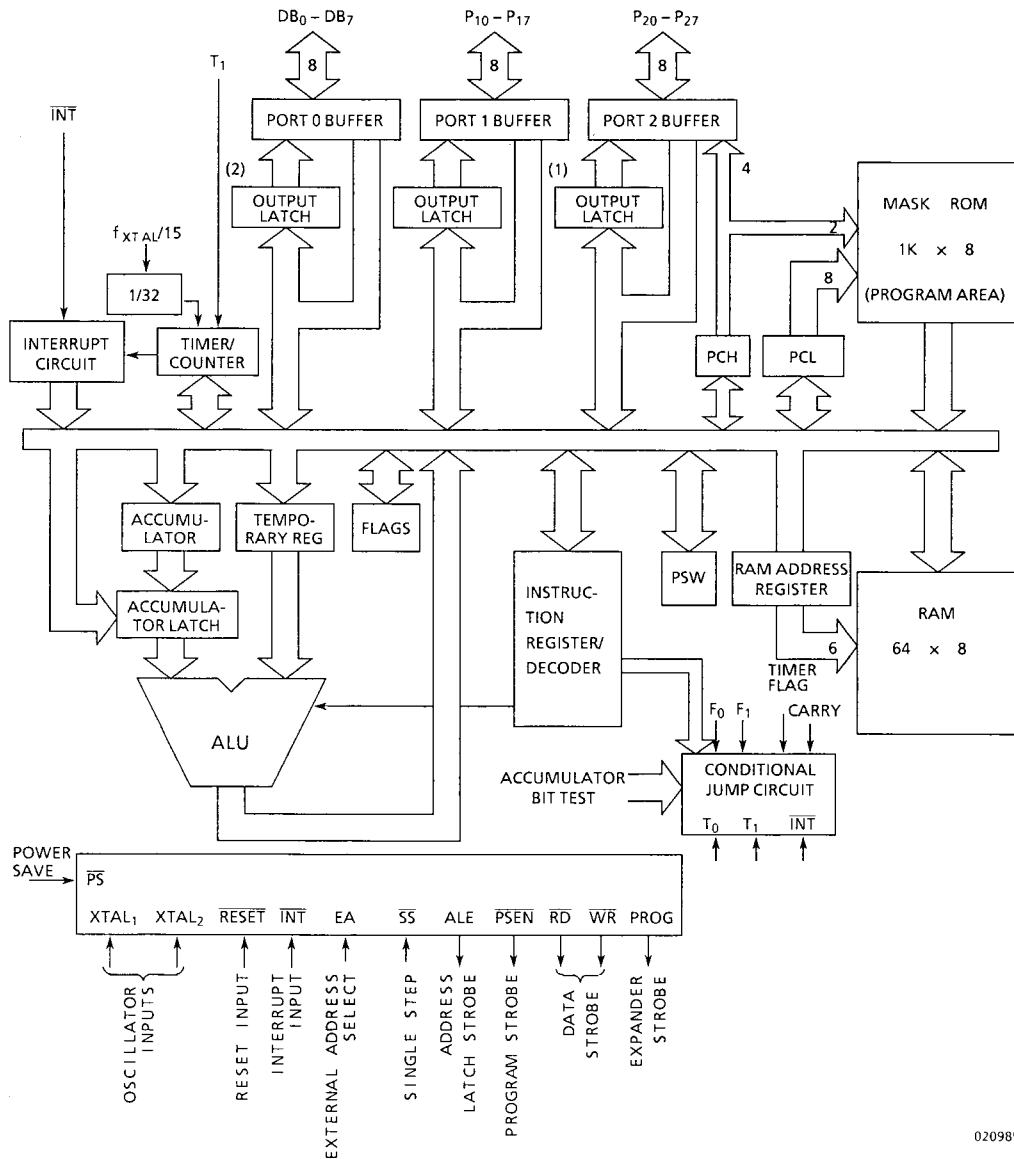
Single step input can be used in conjunction with ALE to “single step” processor through each instruction when \overline{SS} is low the CPU is placed into a wait state after it has completed the instruction being executed. Also used during the power down mode.
- EA (Input)

External Access input which forces all program memory fetches to reference external memory. Useful for emulation and debug and essential for testing and program verification. (Active High)
- XTAL₁ (Input)

One side of crystal input for internal oscillator. Also input for external source.
- XTAL₂ (Input)

Other side of crystal input.

2.3 Block Diagram



020989

Note 1 : The lower order 4 bit of port 2 output latch are used also for input/output operations with the I/O expander.

Note 2 : The output latch of port 0 is also used for address output.

Figure 2.3 Block Diagram

3. MACHINE INSTRUCTION

The following symbols and codes are used in the list of machine instruction.

Symbol	Meaning
Rr	Working register ($0 < r < 7$)
Pp	I/O port address P; ($0 < p < 7$)
JBb	Branch instruction in accordance with bit content (b) of operand
aH	Higher order 3 bits of a
aM	Medium order 4 bits of a
aL	Lower order 4 bits of a
aML	Medium order or lower order 8 bits of a
(a)	Content of a
[(a)]	Content of RAM addressed by a
EXT[(a)]	Content of external RAM addressed by a
PRO[(a)]	Content of ROM addressed by a
a<m>	Value at bit position m of a
a<m:n>	Value at bit position m to n of a
a←b	Store a into b
a↔b	Exchange a for b
.	Connection
\bar{a}	1 complement of a
a+b	a plus b (Addition)
a-b	a minus b (Subtraction)
a∧b	Logical AND for a and b
a∨b	Logical OR for a and b
a⊕b	Exclusive OR for a and b
a=b	a is equal to b
a<>b	a is not equal to b
(a) BCD	Converted value of accumulator

020989

List of TLCS-48 Machine Instruction (1/4)

ITEM	Assembler Mnemonic	Object Code (1st 2nd)		Function	Flag C, AC	Cycle	
		Bin	Hex				
Accumulator Instruction	ADD A, Rr	01101rrr	68+r	(A) \leftarrow (A)+(Rr) r=0~7	\uparrow \downarrow	1	
	ADD A, @Rr	0110000r	60+r	(A) \leftarrow (A)+[(Rr)] r=0,1	\uparrow \downarrow	1	
	ADD A, #i	00000011 iiiiiii	03 ii	(A) \leftarrow (A)+i	\downarrow	2	
	ADDC A, Rr	01111rrr	78+r	(A) \leftarrow (A)+(Rr)+(c) r=0~7	\uparrow \downarrow	1	
	ADDC A, @Rr	0111000r	70+r	(A) \leftarrow (A)+[(Rr)]+(c) r=0,1	\uparrow \downarrow	1	
	ADDC A, #i	00010011 iiiiiii	13 ii	(A) \leftarrow (A)+i+(c)	\uparrow \downarrow	2	
	ANL A, Rr	01011rrr	58+r	(A) \leftarrow (A) \wedge (Rr) r=0~7		1	
	ANL A, @Rr	0101000r	50+r	(A) \leftarrow (A) \wedge [(Rr)] r=0,1		1	
	ANL A, #i	01010011 iiiiiii	53 ii	(A) \leftarrow (A) \wedge i		2	
	ORL A, Rr	01001rrr	48+r	(A) \leftarrow (A) \vee (Rr) r=0~7		1	
	ORL A, @Rr	0100000r	40+r	(A) \leftarrow (A) \vee [(Rr)] r=0,1		1	
	ORL A, #i	01000011 iiiiiii	43 ii	(A) \leftarrow (A) \vee i		2	
	XRL A, Rr	11011rrr	D8+r	(A) \leftarrow (A) \vee (Rr) r=0~7		1	
	XRL A, @Rr	1101000r	D0+r	(A) \leftarrow (A) \vee [(Rr)] r=0,1		1	
	XRL A, #i	11010011 iiiiiii	D3 ii	(A) \leftarrow (A) \vee i		2	
	INC A	00010111	17	(A) \leftarrow (A)+1		1	
	DEC A	00000111	07	(A) \leftarrow (A)-1		1	
	CLR A	00100111	27	(A) \leftarrow 0		1	
	CPL A	00110111	37	(A) \leftarrow NOT(A)		1	
	DA A	01010111	57	(A) \leftarrow (A)BCD	\uparrow	1	
	SWAP A	01000111	47	(A) \langle 7:4 \rangle \leftrightarrow (A) \langle 3:0 \rangle		1	
	RL A	11100111	E7	(A) \langle n+1 \rangle \leftarrow (A) \langle n \rangle (A) \langle 0 \rangle \leftarrow (A) \langle 7 \rangle n=0~6		1	
	RLC A	11110111	F7	(A) \langle n+1 \rangle \leftarrow (A) \langle n \rangle (C) \leftarrow (A) \langle 7 \rangle (A) \langle 0 \rangle \leftarrow (C) n=0~6	\uparrow	1	
	RR A	01110111	77	(A) \langle n \rangle \leftarrow (A) \langle n+1 \rangle (A) \langle 7 \rangle \leftarrow (A) \langle 0 \rangle n=0~6		1	
	RRC A	01100111	67	(A) \langle n \rangle \leftarrow (A) \langle n+1 \rangle (C) \leftarrow (A) \langle 0 \rangle (A) \langle 7 \rangle \leftarrow (C) n=0~6	\uparrow	1	
	I/O	IN A, Pp	000010pp	08+p	(A) \leftarrow (Pp) P=1,2		2
		OUTL Pp, A	001110pp	38+p	(Pp) \leftarrow (A) P=1,2		2
		ANL Pp, #i	100110pp iiiiiii	98+p ii	(Pp) \leftarrow (Pp) \wedge i P=1,2		2
		ORL Pp, #i	100010pp iiiiiii	88+p ii	(Pp) \leftarrow (Pp) \vee i P=1,2		2

020989

List of TLCS-48 Machine Instruction (2/4)

ITEM	Assembler Mnemonic	Object Code (1st (2nd))		Function	Flag C, AC	Cycle
		Bin	Hex			
I/O	INS A, BUS	00001000	08	(A)←(BUS)		2
	OUTL BUS, A	00000010	02	(BUS)←(AC)		2
	ANL BUS, #i	10011000 iiiiiii	98 ii	(BUS)←(BUS) ∧ i		2
	ORL BUS, #i	10001000 iiiiiii	88 ii	(BUS)←(BUS) ∨ i		2
	MOVD A, Pp	000011pp	0C+p	(A)<3:0> ←(Pp) p=4~7 (A)<7:4> ←0		2
	MOVD Pp, A	001111pp	3C+p	(Pp) ←(A)<3:0> p=4~7		2
	ANLD Pp, A	100111pp	9C+p	(Pp) ←(Pp)∧(A)<3:0> p=4~7		2
	ORLD Pp, A	100011pp	8C+p	(Pp) ←(Pp)∨(A)<3:0> p=4~7		2
(1)	INC Rr	00011rrr	18+r	(Rr) ←(Rr)+1 r=0~7		1
	INC @Rr	0001000r	10+r	[(Rr)] ←[(Rr)]+1 r=0,1		1
	DEC Rr	11001rrr	C8+r	(Rr) ←(Rr)-1 r=0~7		1
Branch Instruction	JMP a	aH00100 aML	aH+4	(PC)<10:0> ←a (PC)<11> ←(DBF)		2
	JMPP @A	10110011	B3	(PC)<7:0>←PRO[(PC)<11:8>·(A)]		2
	DJNZ Rr, a	11101rrr aML	E8+r	(Rr) ←(Rr)-1 r=0~7 if(Rr) ≠0 then(PC)<7:0>←aML else no operation		2
	JC a	11110110 aML	F6	if(C)=1 then(PC)<7:0>←aML else no operation		2
	JNC a	11100110 aML	E6	if(C)=0 then(PC)<7:0>←aML else no operation		2
	JZ a	11000110 aML	C6	if(A)=0 then(PC)<7:0>←aML else no operation		2
	JNZ a	10010110 aML	96	if(A)≠0 then(PC)<7:0>←aML else no operation		2
	JT0 a	00110110 aML	36	if T0=1 then(PC)<7:0>←aML else no operation		2
	JNT0 a	00100110 aML	26	if T0=0 then(PC)<7:0>←aML else no operation		2
	JT1 a	01010110 aML	56	if T1=1 then(PC)<7:0>←aML else no operation		2
	JNT1 a	01000110 aML	46	if T1=0 then(PC)<7:0>←aML else no operation		2
	JF0 a	10110110 aML	B6	if F0=1 then(PC)<7:0>←aML else no operation		2
	JF1 a	01110110 aML	76	if F1=1 then(PC)<7:0>←aML else no operation		2
	JTF a	00010110 aML	16	if TF=1 then(PC)<7:0>←aML else no operation		2

(1) Register Instruction

020989

List of TLCS-48 Machine Instruction (3/4)

ITEM	Assembler Mnemonic	Object Code		Function	Flag C, AC	Cycle
		(1st) Bin	(2nd) Hex			
(2)	JNI a	1000110 aML	86	if INT =0 then(PC)<7:0>+aML else no operation		2
	JBb a	bbb10010 aML	b+12	if (A)=1 then (PC)<7:0>+aML else no operation b=0~7		2
(3)	CALL a	aH10100 aML	aH+14	[(SP)] ←(PSW)<7:4>·(PC) (SP) ←(SP)+1 (PC)<10:0> +a (PC)<11> ←(DBF)		2
	RET	10000011	83	(SP)←(SP)-1 (PC) ←[(SP)]<11:0>		2
	RETR	10010011	93	(SP)←(SP)-1 (PC) ←[(SP)]<11:0> (PSW)<7:4> ←[(SP)]<15:12>	↑ ↓	2
(4)	CLR C	10010111	97	(C)←0		1
	CPL C	10100111	A7	(C)←NOT(C)		1
	CLR F0	10000101	85	(F0) ←0		1
	CPL F0	10010101	95	(F0) ←NOT(F0)		1
	CLR F1	10100101	A5	(F1) ←0		1
	CPL F1	10110101	B5	(F1) ←NOT(F1)		1
Move Instruction	MOV A , Rr	11111rrr	F8+r	(A)←(Rr) r=0~7		1
	MOV A ,@Rr	1111000r	F0+r	(A)←[(Rr)] r=0,1		1
	MOV A ,#i	00100011 iiiiiii	23 ii	(A) ←i		2
	MOV Rr , A	10101rrr	A8+r	(Rr)←(A) r=0~7		1
	MOV @Rr , A	1010000r	A0+r	[(Rr)]←(A) r=0,1		1
	MOV Rr ,#i	10111rrr iiiiiii	B8+r ii	(Rr)←i r=0~7		2
	MOV @Rr ,#i	1011000r iiiiiii	B0+r ii	[(Rr)]←i r=0,1		2
	MOV A ,PSW	11000111	C7	(A) ←(PSW)		1
	MOV PSW ,A	11010111	D7	(PSW) ←(A)		1
	XCH A ,Rr	00101rrr	28+r	(A) ↔(Rr) r=0~7		1
	XCH A ,@Rr	0010000r	20+r	(A) ↔[(Rr)] r=0,1		1
	XCHD A ,@Rr	0011000r	30+r	(A)<3:0>↔[(Rr)<3:0>] r=0,1		1
	MOVX @Rr ,A	1001000r	90+r	EXT[(Rr)] ←(A) r=0,1		1
	MOVX A ,@Rr	1000000r	80+r	(A) ←EXT[(Rr)] r=0,1		1
	MOVP A ,@A	10100011	A3	(A) ←PRO[(PC)<11:8>·(A)]		1
MOVP3 A ,@A	11100011	E3	(A) ←PRO[(PC)<11>·011·(A)]		1	

020989

(2) Branch Instruction (3) Subroutine Instruction
 (4) Flag Instruction

List of TLCS-48 Machine Instruction (4/4)

ITEM	Assembler Mnemonic	Object Code (1st) (2nd)		Function	Flag C, AC	Cycle
		Bin	Hex			
Timer Counter	MOV A, T	01000010	42	(A) ←(TR)		1
	MOV T, A	01100010	62	(TR)←(A)		1
	STRT T	01010101	55	Start Timer		1
	STRT CNT	01000101	45	Start Counter		1
	STOP TCNT	01100101	65	Stop Timer/Counter		1
	EN TCNTI	00100101	25	Enable Timer/Counter Interrupt		1
	DIS TCNTI	00110101	35	Disable Timer/Counter Interrupt		1
Control	EN I	00000101	05	Enable External Interrupt		1
	DIS I	00010101	15	Disable External Interrupt		1
	SEL RB0	11000101	C5	(BS)← 0		1
	SEL RB1	11010101	D5	(BS)← 1		1
	SEL MB0	11100101	E5	(DBF) ← 0		1
	SEL MB1	11110101	F5	(DBF) ← 1		1
	ENTO CLK	01110101	75	Enable Clock Output on To		1
	HALT	00000001	01	Halt		1
(5)	NOP	00000000	00	no operation		1

(5) Other

020989

4. ELECTRICAL CHARACTERISTICS

4.1 Absolute Maximum Ratings

TMP80C48AP/C35AP/C48AU

SYMBOL	ITEM	RATING
V _{CC}	V _{CC} Supply Voltage (with respect to GND (V _{SS}))	- 0.5V to + 7V
V _{INA}	Input Voltage (Except EA)	- 0.5V to V _{CC} + 0.5
V _{INB}	Input Voltage (Only EA)	- 0.5V to 13V
P _D	Power Dissipation (Ta = 85°C)	250mW
T _{SOLDER}	Soldering Temperature (Soldering Time 10 sec)	260°C
T _{STG}	Storage Temperature	- 65°C to 150°C
T _{OPR}	Operating Temperature	- 40°C to 85°C

020989

4.2 DC Characteristics

TMP80C48AP/C35AP/C48AU

T_{OPR} = - 40°C to 85°C, V_{CC} = + 5V ± 10%, V_{SS} = 0V, unless otherwise noted.

SYMBOL	PARAMETER	TEST CONDITIONS	MIN.	TYP.	MAX.	UNIT	
V _{IL}	Input Low Voltage (Except XTAL ₁ , XTAL ₂ , RESET)		- 0.5	-	0.8	V	
V _{IL1}	Input Low Voltage (XTAL ₁ , XTAL ₂ , RESET)		- 0.5	-	0.6	V	
V _{IH}	Input High Voltage (Except XTAL ₁ , XTAL ₂ , RESET, PS)		2.2	-	V _{CC}	V	
V _{IH1}	Input High Voltage (XTAL ₁ , XTAL ₂ , RESET, PS)		0.7 × V _{CC}	-	V _{CC}	V	
V _{OL}	Output Low Voltage (Except P ₁₀ -P ₁₇ , P ₂₀ -P ₂₇)	IOL = 1.6mA	-	-	0.45	V	
V _{OL1}	Output Low Voltage (P ₁₀ -P ₁₇ , P ₂₀ -P ₂₇)	IOL = 1.2mA	-	-	0.45	V	
V _{OH11}	Output High Voltage (Except P ₁₀ -P ₁₇ , P ₂₀ -P ₂₇)	IOH = - 1.6mA	2.4	-	-	V	
V _{OH12}	Output High Voltage (Except P ₁₀ -P ₁₇ , P ₂₀ -P ₂₇)	IOH = - 400μA	V _{CC} - 0.8	-	-	V	
V _{OH21}	Output High Voltage (P ₁₀ -P ₁₇ , P ₂₀ -P ₂₇)	IOH = - 50μA	2.4	-	-	V	
V _{OH22}	Output High Voltage (P ₁₀ -P ₁₇ , P ₂₀ -P ₂₇)	IOH = - 25μA	V _{CC} - 0.8	-	-	V	
I _{LI}	Input Leak Current (T ₁ , INT, EA, PS)	V _{SS} ≅ VIN ≅ V _{CC}	-	-	± 10	μA	
I _{LI1}	Input Leak Current (SS, RESET)	V _{SS} ≅ VIN ≅ V _{CC}	-	-	- 50	μA	
I _{LI2}	Input Leak Current (P ₁₀ -P ₁₇ , P ₂₀ -P ₂₇)	V _{SS} + 0.45V ≅ VIN ≅ V _{CC}	-	-	- 500	μA	
I _{LO}	Output Leak Current (BUS, T _O) (High impedance condition)	V _{SS} + 0.45V ≅ VIN ≅ V _{CC}	-	-	± 10	μA	
ICC1	V _{CC} Supply Current	Normal operation	V _{CC} = 5V, f _X TAL = 6MHz V _{IH} = V _{CC} - 0.2V V _{IL} = 0.2V	-	-	10	mA
ICCH1		HALT Mode		-	-	2.5	
ICC2	V _{CC} Supply Current	Normal operation	V _{CC} = 5V, f _X TAL = 11MHz V _{IH} = V _{CC} - 0.2V V _{IL} = 0.2V	-	-	15	mA
ICCH2		HALT Mode		-	-	4.0	

020989

4.3 AC Characteristics

TMP80C48AP/C35AP/C48AU
 $T_{OPR} = -40^{\circ}\text{C}$ to 85°C , $V_{CC} = +5\text{V} \pm 10\%$, $V_{SS} = 0\text{V}$, unless otherwise noted.

SYMBOL	PARAMETER	TEST CONDITION	f (t)	11MHz		UNIT
				MIN.	MAX.	
t	Clock Period	Note 2	1/xtal f	90.9	1000	ns
t _{LL}	ALE Pulse Width		3.5t - 170	150	-	ns
t _{AL}	Address Setup Time (ALE)		2t - 110	70	-	ns
t _{LA}	Address Hold Time (ALE)	CL = 20pF	t - 40	50	-	ns
t _{CC1}	Control Pulse Width (RD, WR)		7.5t - 200	480	-	ns
t _{CC2}	Control Pulse Width (PSEN)		6t - 200	350	-	ns
t _{DW}	Data Setup Time (WR)		6.5t - 200	390	-	ns
t _{WD}	Data Hold Time (WR)	CL = 20pF	t - 50	40	-	ns
t _{DR}	Data Hold Time (RD, PSEN)	CL = 20pF	1.5t - 30	0	110	ns
t _{RD1}	Data Input Read Time (RD)		5.5t - 120	-	375	ns
t _{RD2}	Data Input Read Time (PSEN)		4t - 120	-	240	ns
t _{AW}	Address Setup Time (WR)		5t - 150	300	-	ns
t _{AD1}	Address Setup Time (RD)		10t - 170	-	730	ns
t _{AD2}	Address Setup Time (PSEN)		7t - 170	-	460	ns
t _{AFC1}	Address Float Time (RD, WR)	CL = 20pF	2t - 40	140	-	ns
t _{AFC2}	Address Float Time (PSEN)	CL = 20pF	0.5t - 40	10	-	ns
t _{L AFC1}	ALE to Control Time (RD, WR)		3t - 75	200	-	ns
t _{L AFC2}	ALE to Control Time (PSEN)		1.5t - 75	60	-	ns
t _{CA1}	Control to ALE Time (RD, WR, PROG)		t - 65	25	-	ns
t _{CA2}	Control to ALE Time (PSEN)		4t - 70	290	-	ns

020989

AC CHARACTERISTICS (CONTINUE)

$T_{OPR} = -40^{\circ}\text{C}$ to 85°C , $V_{CC} = +5\text{V} \pm 10\%$, $V_{SS} = 0\text{V}$, unless otherwise noted.

SYMBOL	PARAMETER	TEST CONDITION	f (t)	11MHz		UNIT
				MIN.	MAX.	
t _{CP}	Port Control Setup Time (PROG)		1.5t - 80	50	-	ns
t _{PC}	Port Control Hold Time (PROG)		4t - 260	100	-	ns
t _{PR}	Port 2 Input Data Setup Time (PROG)		8.5t - 120	-	650	ns
t _{PF}	Port 2 Input Data Hold Time (PROG)		1.5t	0	140	ns
t _{DP}	Port 2 Output Data Setup Time (PROG)		6t - 290	250	-	ns
t _{PD}	Port 2 Output Data Hold Time (PROG)		1.5t - 90	40	-	ns
t _{PP}	PROG Pulse Width		10.5t - 250	700	-	ns
t _{PL}	Port 2 I/O Data Setup Time (ALE)		4t - 200	160	-	ns
t _{LP}	Port 2 I/O Data Hold Time (ALE)		0.5t - 30	15	-	ns
t _{PV}	Port Output Delay Time (ALE)		4.5t + 100	-	510	ns
t _{OPRR}	T ₀ Clock Period		3t	270	-	ns
t _{CY}	Cycle Time		15t	1.36	15.0	μs

020989

- Note : 1. Control Output CL = 80pF. BUS Output CL = 150pF.
 2. The f (t) assumes 50% duty cycle on XTAL₁ and XTAL₂.
 The Max. Clock frequency is 11MHz. and the Min. Clock frequency is 1MHz.

4.4 Absolute Maximum Ratings

TMP80C48AP-6/TMP80C35AP-6/TMP80C48AU-6

SYMBOL	ITEM	RATING
V _{CC}	V _{CC} Supply Voltage (with respect to GND (V _{SS}))	-0.5V to +7V
V _{INA}	Input Voltage (Except EA)	-0.5V to V _{CC} + 0.5V
V _{INB}	Input Voltage (Only EA)	-0.5V to 13V
P _D	Power Dissipation (T _a = 85°C)	250mW
T _{SOLDER}	Soldering Temperature (Soldering Time 10 sec)	260°C
T _{STG}	Storage Temperature	-65°C to 150°C
T _{OPR}	Operating Temperature	-40°C to 85°C

020989

4.5 DC Characteristics (I)

TMP80C48AP-6/TMP80C35AP-6/TMP80C48AU-6

T_{OPR} = -40°C to 85°C, V_{CC} = +5V ± 10%, V_{SS} = 0V, unless otherwise noted

SYMBOL	PARAMETER	TEST CONDITIONS	MIN.	TYP.	MAX.	UNIT	
V _{IL}	Input Low Voltage		-0.5	-	0.8	V	
V _{IH}	Input High Voltage (Except XTAL ₁ , XTAL ₂ , $\overline{\text{RESET}}$, $\overline{\text{PS}}$)		2.2	-	V _{CC}	V	
V _{IH1}	Input High Voltage (XTAL ₁ , XTAL ₂ , $\overline{\text{RESET}}$, $\overline{\text{PS}}$)		0.7 x V _{CC}	-	V _{CC}	V	
V _{OL}	Output Low Voltage (Except P ₁₀ -P ₁₇ , P ₂₀ -P ₂₇)	I _{OL} = 1.6mA	-	-	0.45	V	
V _{OL1}	Output Low Voltage (P ₁₀ -P ₁₇ , P ₂₀ -P ₂₇)	I _{OL} = 1.2mA	-	-	0.45	V	
V _{OH11}	Output High Voltage (Except P ₁₀ -P ₁₇ , P ₂₀ -P ₂₇)	I _{OH} = -1.6mA	2.4	-	-	V	
V _{OH12}	Output High Voltage (P ₁₀ -P ₁₇ , P ₂₀ -P ₂₇)	I _{OH} = -400μA	V _{CC} - 0.8	-	-	V	
V _{OH21}	Output High Voltage (P ₁₀ -P ₁₇ , P ₂₀ -P ₂₇)	I _{OH} = -50μA	2.4	-	-	V	
V _{OH22}	Output High Voltage (P ₁₀ -P ₁₇ , P ₂₀ -P ₂₇)	I _{OH} = -25μA	V _{CC} - 0.8	-	-	V	
I _{LI}	Input Leak Current (T ₁ , INT, EA, PS)	V _{SS} ≤ V _{IN} ≤ V _{CC}	-	-	± 10	μA	
I _{LI1}	Input Leak Current (SS, RESET)	V _{SS} ≤ V _{IN} ≤ V _{CC}	-	-	- 50	μA	
I _{LI2}	Input Leak Current (P ₁₀ -P ₁₇ , P ₂₀ -P ₂₇)	V _{SS} + 0.45V ≤ V _{IN} ≤ V _{CC}	-	-	- 500	μA	
I _{LO}	Output Leak Current (BUS, T ₀) (High impedance condition)	V _{SS} + 0.45V ≤ V _{IN} ≤ V _{CC}	-	-	± 10	μA	
ICC1	V _{CC} Supply Current	Normal operation	V _{CC} = 5V, f _{XTAL} = 6MHz	-	-	10	mA
ICCH1		HALT Mode	V _{IH} = V _{CC} - 0.2V V _{IL} = 0.2V	-	-	2.5	

020989

4.6 DC Characteristics (II)

TMP80C48AP-6/TMP80C35AP-6/TMP80C48AU-6
 $T_{OPR} = -40^{\circ}\text{C}$ to 85°C , $V_{CC} = +5\text{V} \pm 20\%$, $V_{SS} = 0\text{V}$, unless otherwise noted

SYMBOL	PARAMETER		TEST CONDITIONS	MIN.	TYP.	MAX.	UNIT
VIL	Input Low Voltage			-0.5	—	$0.5 \times V_{CC}$	V
VIH	Input High Voltage (Except XTAL ₁ , XTAL ₂ , RESET, PS)			$0.5 \times V_{CC}$	—	V_{CC}	V
VIH1	Input High Voltage (XTAL ₁ , XTAL ₂ , RESET, PS)			$0.7 \times V_{CC}$	—	V_{CC}	V
VOL	Output Low Voltage (Except P ₁₀ -P ₁₇ , P ₂₀ -P ₂₇)		IOL = 1.6mA	—	—	0.45	V
VOL1	Output Low Voltage (P ₁₀ -P ₁₇ , P ₂₀ -P ₂₇)		IOL = 1.2mA	—	—	0.45	V
VOH11	Output High Voltage (Except P ₁₀ -P ₁₇ , P ₂₀ -P ₂₇)		IOH = -400μA	$V_{CC} - 0.8$	—	—	V
VOH22	Output High Voltage (P ₁₀ -P ₁₇ , P ₂₀ -P ₂₇)		IOH = -25μA	$V_{CC} - 0.8$	—	—	V
ILI	Input Leak Current (T ₁ , INT, EA, PS)		$V_{SS} \leq V_{IN} \leq V_{CC}$	—	—	±10	μA
ILI1	Input Leak Current (SS, RESET)		$V_{SS} \leq V_{IN} \leq V_{CC}$	—	—	$\frac{-V_{CC}}{0.1}$	μA
ILI2	Input Leak Current (P ₁₀ -P ₁₇ , P ₂₀ -P ₂₇)		$V_{SS} + 0.45\text{V} \leq V_{IN} \leq V_{CC}$	—	—	$\frac{-V_{CC}}{0.01}$	μA
ILO	Output Leak Current (BUS, T ₀) (High impedance condition)		$V_{SS} + 0.45\text{V} \leq V_{IN} \leq V_{CC}$	—	—	±10	μA
ICC1	V _{CC} Supply	Normal operation	$V_{CC} = 5\text{V}$, $f_{XTAL} = 6\text{MHz}$	—	—	10	mA
ICCH1	Current	HALT Mode	$V_{IH} = V_{CC} - 0.2\text{V}$ $V_{IL} = 0.2\text{V}$	—	—	2.5	

020989

4.7 AC Characteristics

TMP80C48AP-6/TMP80C35AP-6/TMP80C48AU-6
 $T_{OPR} = -40^{\circ}\text{C}$ to 85°C , $V_{CC} = +5\text{V} \pm 20\%$, $V_{SS} = 0\text{V}$, unless otherwise noted.

SYMBOL	PARAMETER	TEST CONDITION	f (t)	6MHz		UNIT
				MIN.	MAX.	
t	Clock Period	Note 2	$1/xtal f$	166.6	1000	ns
t _{LL}	ALE Pulse Width		$3.5t - 170$	410	-	ns
t _{AL}	Address Setup Time (ALE)		$2t - 110$	220	-	ns
t _{LA}	Address Hold Time (ALE)	CL = 20pF	$t - 40$	120	-	ns
t _{CC1}	Control Pulse Width (RD, WR)		$7.5t - 200$	1050	-	ns
t _{CC2}	Control Pulse Width (PSEN)		$6t - 200$	800	-	ns
t _{DW}	Data Setup Time (WR)		$6.5t - 200$	880	-	ns
t _{WD}	Data Hold Time (WR)	CL = 20pF	$t - 50$	120	-	ns
t _{DR}	Data Hold Time (RD, PSEN)	CL = 20pF	$1.5t - 30$	0	220	ns
t _{RD1}	Data Input Read Time (RD)		$5.5t - 120$	-	800	ns
t _{RD2}	Data Input Read Time (PSEN)		$4t - 120$	-	550	ns
t _{AW}	Address Setup Time (WR)		$5t - 150$	680	-	ns
t _{AD1}	Address Setup Time (RD)		$10t - 170$	-	1500	ns
t _{AD2}	Address Setup Time (PSEN)		$7t - 170$	-	1000	ns
t _{AFC1}	Address Float Time (RD, WR)	CL = 20pF	$2t - 40$	290	-	ns
t _{AFC2}	Address Float Time (PSEN)	CL = 20pF	$0.5t - 40$	40	-	ns
t _{LAFC1}	ALE to Control Time (RD, WR)		$3t - 75$	420	-	ns
t _{LAFC2}	ALE to Control Time (PSEN)		$1.5t - 75$	175	-	ns
t _{CA1}	Control to ALE Time (RD, WR, PROG)		$t - 65$	100	-	ns
t _{CA2}	Control to ALE Time (PSEN)		$4t - 70$	590	-	ns

070989

AC Characteristics (Continue)

$T_{OPR} = -40^{\circ}\text{C}$ to 85°C , $V_{CC} = +5\text{V} \pm 20\%$, $V_{SS} = 0\text{V}$, unless otherwise noted.

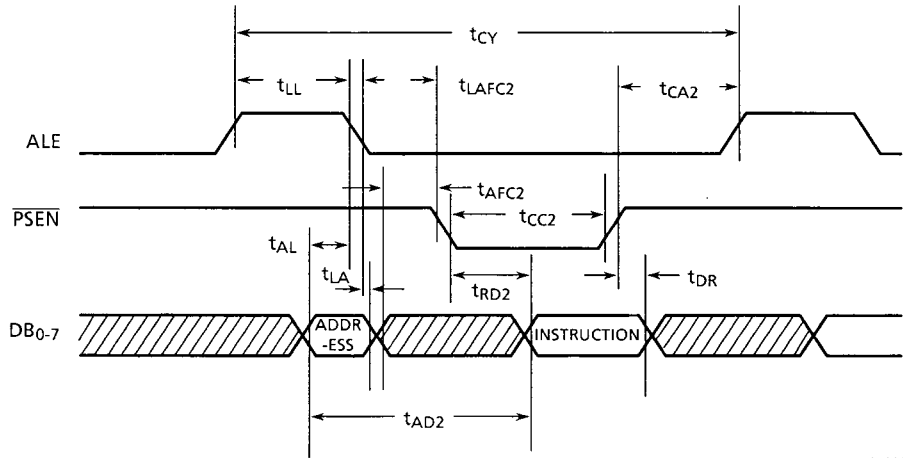
SYMBOL	PARAMETER	TEST CONDITION	f (t)	6MHz		UNIT
				MIN.	MAX.	
t_{CP}	Port Control Setup Time (PROG)		1.5t – 80	170	–	ns
t_{PC}	Port Control Hold Time (PROG)		4t – 260	400	–	ns
t_{PR}	Port 2 Input Data Setup Time (PROG)		8.5t – 120	–	1290	ns
t_{PF}	Port 2 Input Data Hold Time (PROG)		1.5t	0	250	ns
t_{DP}	Port 2 Output Data Setup Time (PROG)		6t – 290	710	–	ns
t_{PD}	Port 2 Output Data Hold Time (PROG)		1.5t – 90	160	–	ns
t_{PP}	PROG Pulse Width		10.5t – 250	1500	–	ns
t_{PL}	Port 2 I/O Data Setup Time (ALE)		4t – 200	460	–	ns
t_{LP}	Port 2 I/O Data Hold Time (ALE)		0.5t – 30	130	–	ns
t_{PV}	Port Output Delay Time (ALE)		4.5t + 100	–	850	ns
t_{OPRR}	T_0 Clock Period		3t	500	–	ns
t_{CY}	Cycle Time		15t	2.5	15.0	μs

020989

- Note : 1. Control Output $CL = 80\text{pF}$. BUS Output $CL = 150\text{pF}$.
 2. The f (t) assumes 50% duty cycle on XTAL₁ and XTAL₂.
 The Max. Clock frequency is 6MHz. and the Min. Clock frequency is 1MHz.

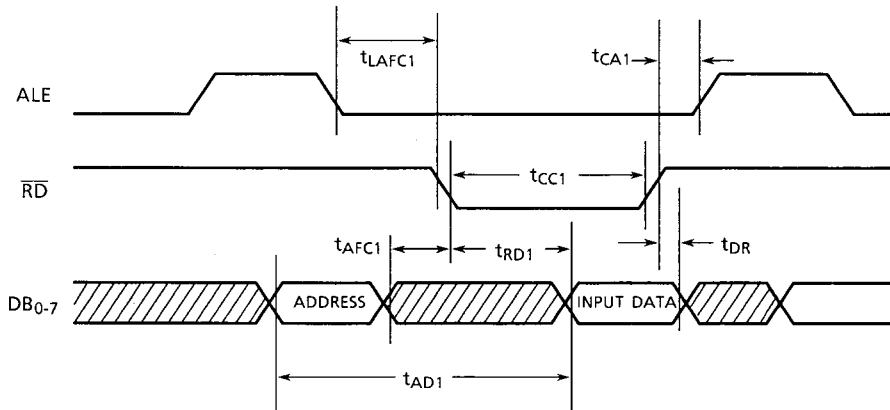
4.8 Timing Waveform

A. Instruction Fetch from External Program Memory



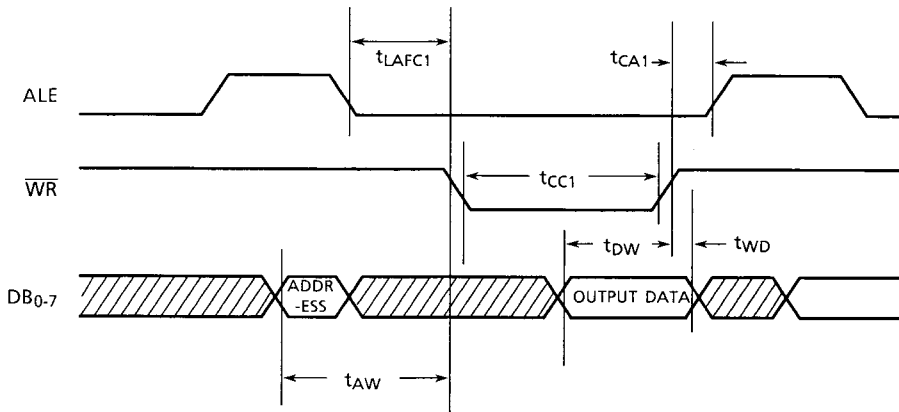
020989

B. Read from External Data Memory



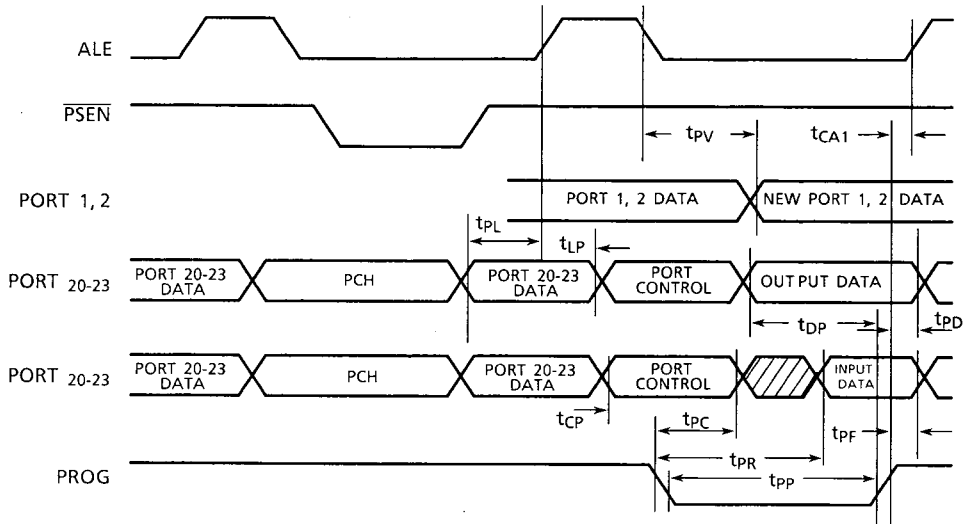
020989

C. Write into External Data Memory



020989

D. Timing of port 2 during Expander Instruction Execution



020989

4.9 Stand-By Function

4.9.1 Power Down Mode (I) ... Data Hold Mode in RAM

The operation of oscillation circuit is suspended by setting \overline{PS} terminal to low level after \overline{RESET} terminal has been set to low level. Consequently, all the data in RAM area can be held in low power consumption.

The minimum hold voltage of V_{CC} in this mode is 2V.

\overline{PS} terminal is set to high level to resume oscillation after V_{CC} has been reset to 5V, and then \overline{RESET} terminal is set to high level, thus, the normal mode is restarted from the initialize operation (address 0).

(1) DC Characteristics

TMP80C48AP/C35AP/C48AU : $T_{OPR} = -40 \sim 85^{\circ}C$, $V_{SS} = 0V$
 TMP80C48AP-6/C35AP-6/C48AU-6

SYMBOL	PARAMETER	TEST CONDITION	MIN.	TYP.	MAX.	UNIT
VSB1	Standby Voltage (1)		2.0	—	6.0	V
ISB1	Standby Current (1)	$V_{CC} = 5V, V_{IH} = V_{CC} - 0.2V, V_{IL} = 0.2V$	—	0.5	10	μA

020989

(2) AC Characteristics

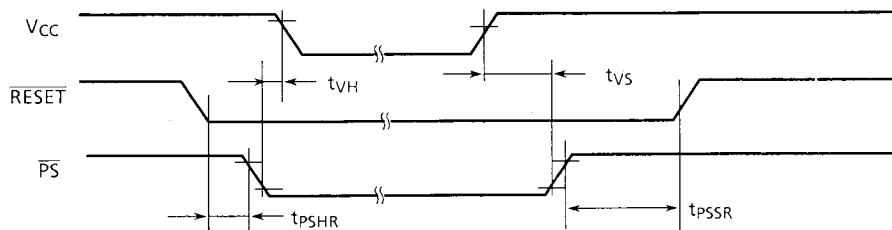
TMP80C48AP/C35AP/C48AU : $V_{CC} = +5V \pm 10\%$, $V_{SS} = 0V$
 TMP80C48AP-6/C35AP-6/C48AU-6 : $V_{CC} = +5V \pm 20\%$, $V_{SS} = 0V$

SYMBOL	PARAMETER	TEST CONDITION	MIN.	TYP.	MAX.	UNIT
tpSHR	Power Save Hold Time (\overline{RESET})		10	—	—	μs
tpSSR	Power Save Setup Time (\overline{RESET})		10	—	—	ms
t _{VH}	V_{CC} Hold Time (\overline{PS})		5	—	—	μs
t _{VS}	V_{CC} Setup Time (\overline{PS})		5	—	—	μs

Note : $t_{cy} = 2.5\mu s$ ($f_{XTAL} = 6MHz$)

020989

(3) Timing Waveform



020989

4.9.2 Power Down Mode (II) ... ALL Data Hold Mode

The operation of oscillation circuit is suspended by setting \overline{PS} terminal to low level after \overline{SS} terminal has been set to low level. Consequently, all data can be held in low power consumption.

The minimum hold voltage of V_{CC} in this mode is 3V.

\overline{PS} terminal is set to high level to resume oscillation after V_{CC} has been reset to 5V, and then \overline{SS} terminal is set to high level, thus, the normal mode is restarted continuously from the state just before the power down mode (II).

(1) DC Characteristics

TMP80C48AP/C35AP/C48AU : $T_{OPR} = -40$ to $85^{\circ}C$, $V_{SS} = 0V$
 TMP80C48AP-6/C35AP-6/C48AU-6

SYMBOL	PARAMETER	TEST CONDITION	MIN.	TYP.	MAX.	UNIT
VSB2	Standby Voltage (2)		3.0	—	6.0	V
ISB2	Standby Current (2)	$V_{CC} = 5V$, $V_{IH} = V_{CC} - 0.2V$, $V_{IL} = 0.2V$	—	0.5	10	μA

020989

(2) AC Characteristics

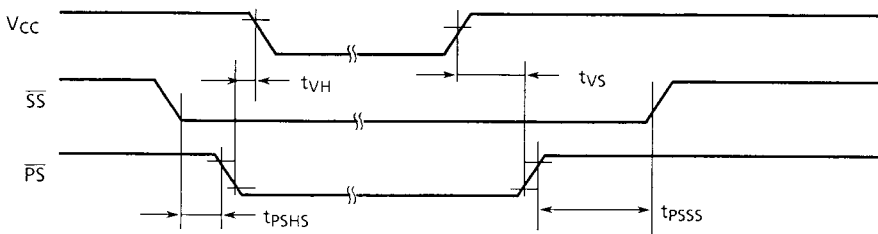
TMP80C48AP/C35AP/C48AU : $V_{CC} = +5V \pm 10\%$, $V_{SS} = 0V$
 TMP80C48AP-6/C35AP-6/C48AU-6 : $V_{CC} = +5V \pm 20\%$, $V_{SS} = 0V$

SYMBOL	PARAMETER	TEST CONDITION	MIN.	TYP.	MAX.	UNIT
t_{PSHR}	Power Save Hold Time (\overline{SS})		10	—	—	μs
t_{PSSR}	Power Save Setup Time (\overline{SS})		10	—	—	ms
t_{VH}	V_{CC} Hold Time (\overline{PS})		5	—	—	μs
t_{VS}	V_{CC} Setup Time (\overline{PS})		5	—	—	μs

Note : $t_{cy} = 2.5\mu s$ ($f_{XTAL} = 6MHz$)

020989

(3) Timing Waveform



020989

4.9.3 HALT MODE

(1) HALT INSTRUCTION

OP code is "01H". HALT INSTRUCTION is an additional instruction to the standard 8048/8049 instruction set.

(2) Entry to HALT MODE

On the execution of HALT INSTRUCTION, TMP80C48A/TMP80C35A enter HALT MODE.

(3) Status in HALT MODE

The oscillator continues its operation, however, the internal clocks and internal logic values just prior to the execution of HALT INSTRUCTION are maintained. Power consumption in HALT MODE is less than 50% of normal operation. The status of each pins are described in the following table.

(4) Release from HALT MODE

HALT MODE is released by either of two signals ($\overline{\text{RESET}}$, $\overline{\text{INT}}$).

(4.1) $\overline{\text{RESET}}$ Release Mode : An active $\overline{\text{RESET}}$ input signal causes the normal reset function. TMP80C48A/TMP80C35A start the program at address "000 H".

(4.2) $\overline{\text{INT}}$ Release Mode : An active $\overline{\text{INT}}$ input signal causes the normal operation.

- In case of interrupt enable mode (EI MODE), TMP80C48A/TMP80C35A execute the interrupt service routine, after the execution of one instruction which is located at the next address after HALT INSTRUCTION.
- In case of interrupt disable mode (DI MODE), TMP80C48A/TMP80C35A execute normal operation from the next address after HALT INSTRUCTION.

(5) Supply Voltage Range in HALT MODE

The operating supply voltage range and the operating temperature range are same as in normal operation.

TMP80C48AP/C35AP/C48AU : $V_{CC}=5 \pm 10\%$

TMP80C48AP-6/C35AP-6/C48AU-6 : $V_{CC}=5 \pm 20\%$

4.9.4 Pin Status In Power Down Mode (I) (II)

PIN NAME	STATUS
DB ₀ ~DB ₇	High Impedance Input disabled
P ₁₀ ~P ₁₇	
P ₂₀ ~P ₂₇	
T ₀	High Impedance, input disable
T ₁	Input disable
XTAL ₁	High Impedance
XTAL ₂	Output "High" level
RESET, SS	Input disabled when oscillator is stopped. Pull-up transistors turn off.
INT, EA	Input disabled when oscillator is stopped.
RD, WR, ALE PROG, PSEN	High Impedance

C20989

4.9.5 Pin Status In HALT MODE

PIN NAME	STATUS
DB ₀ ~DB ₇	Values prior to the execution of HALT INSTRUCTION are maintained.
P ₁₀ ~P ₁₇	
P ₂₀ ~P ₂₇	
T ₀	Status prior to the execution of HALT INSTRUCTION is maintained.
T ₁	Input disable
XTAL ₁ , XTAL ₂	Continue oscillation
RESET, INT	Input enabled
SS, EA	Input disabled
RD, WR, PROG, PSEN	Output "High" level
ALE	Output "Low" Level

020989

5. OSCILLATOR

QUARTZ CRYSTAL

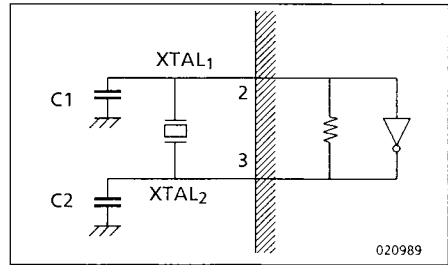
f = 1MHz to 4MHz : C1 = C2 = 30pF

f = 4MHz to 11MHz : C1 = C2 = 20pF

CERAMIC RESONATOR

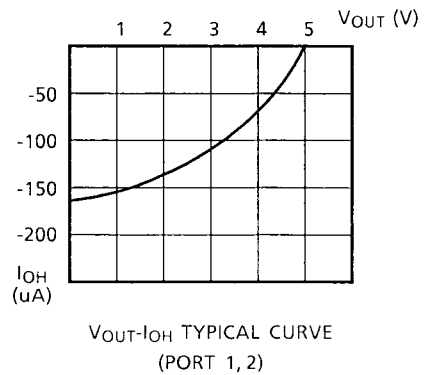
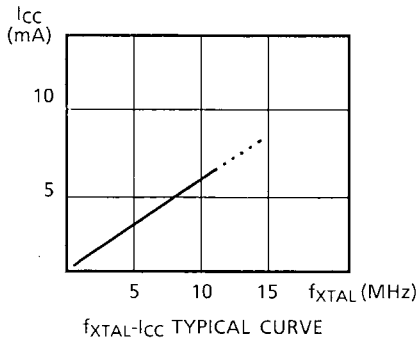
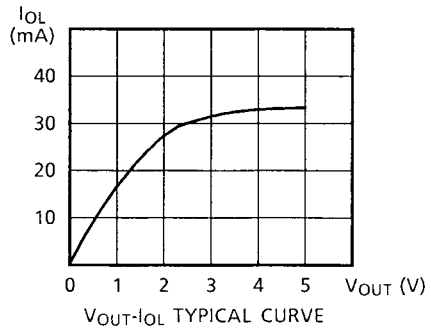
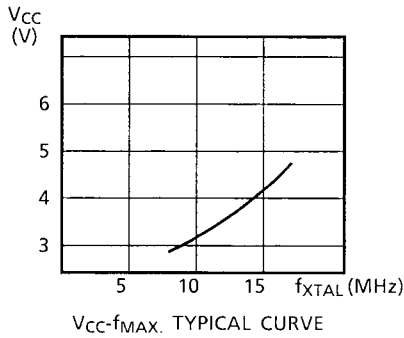
f = 1MHz to 3MHz : C1 = C2 = 100pF

f = 3MHz to 11MHz : C1 = C2 = 30PF

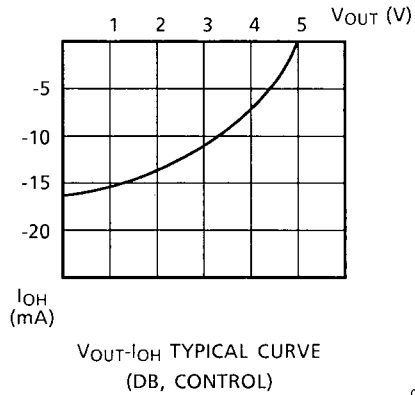
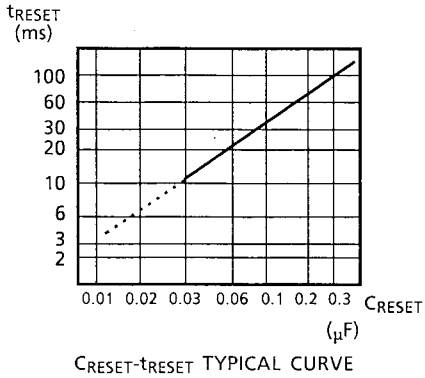


6. TYPICAL CHARACTERISTICS

V_{CC} = 5V, T_a = 25°C, unless otherwise noted.



020989

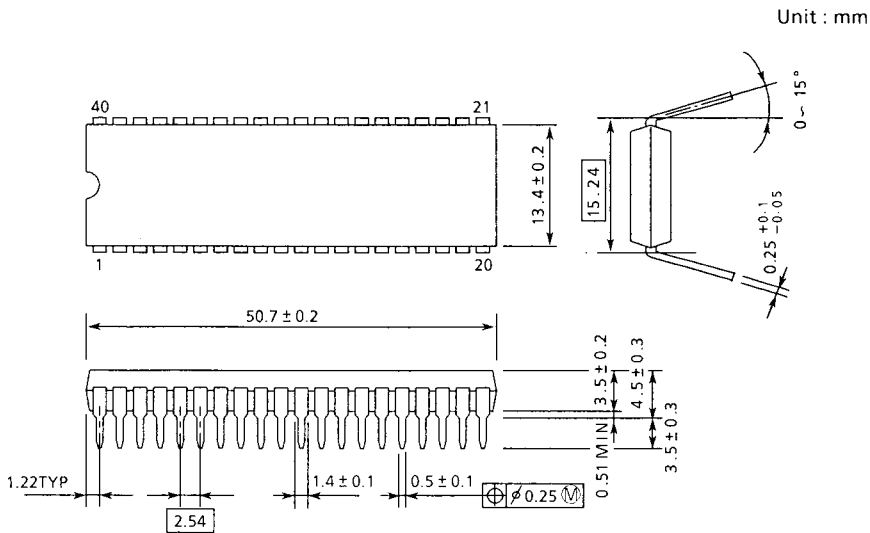


020989

7. OUTLINE DRAWING

7.1 Outline Drawing For TMP80C48AP/-6, TMP80C35AP/-6 (DIP : Dual Inline Package)

DIP40-P-600



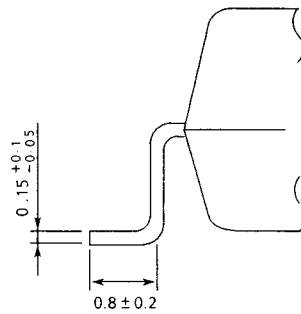
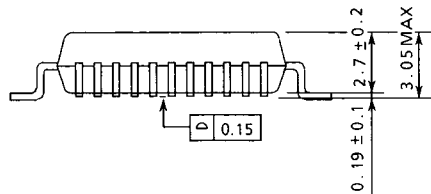
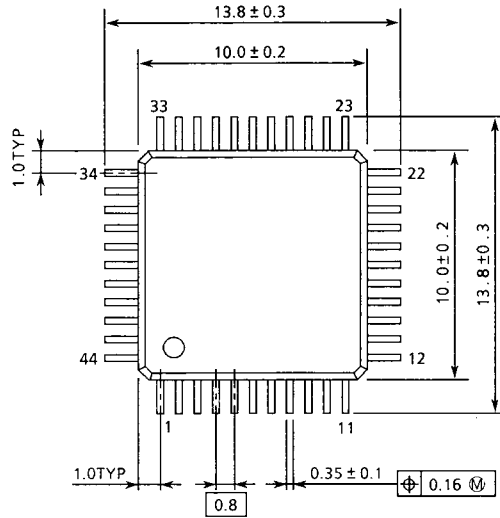
270289

- Note : 1. This dimension is measured at the center of bending point of leads.
 2. Each lead pitch is 2.54mm, and all the leads are located within ± 0.25 mm from their theoretical positions with respect to No. 1 and No. 40 leads.

7.2 Outline Drawing For TMP80C48AU/-6
(Micro Flat Package)

QFP44-P-1010A

Unit : mm



Notes:

1. The above dimensions don't include the burr of package and the residue of tie-bar cut.
The burr of package and the residue of tie-bar cut should be 0.15 mm (Max.)
2. Applied to the lead flat portion.

270289

CMOS 8-BIT SINGLE-CHIP MICROCOMPUTER (TLCS-48C)

TMP80C49AP/TMP80C49AP-6
TMP80C39AP/TMP80C39AP-6
TMP80C49AU/TMP80C49AU-6

1. GENERAL DESCRIPTION AND FEATURES

The TMP80C49A is a single chip microcomputer fabricated in Silicon Gate CMOS technology which provides internal 8-bit parallel architecture.

The following basic architectural functions of a computer have been included in a single chip; an 8-bit CPU, 128×8 RAM data memory, 2K×8 ROM program memory, 27 I/O lines and an 8-bit timer/event counter.

The TMP80C49A is particularly efficient as a controller. It has extensive bit handling capability as well as facilities for both binary and BCD arithmetic.

The TMP80C39A/-6 is the equivalent of a TMP80C49A/-6 without ROM program memory on chip. By using this device with external EPROM or RAM, software debugging becomes easy.

The TMP80C49AP/-6 and TMP80C39AP/-6 are in a standard Dual Inline Package.

The TMP80C49AU/-6 is in a 44-pin Micro Flat Package.

FEATURES

- TMP80C49AP/TMP80C39AP/TMP80C49AU
1.36μs Instruction Cycle Time -40°C to 85°C, 5V ± 10%
- TMP80C49AP-6/TMP80C39AP-6/TMP80C49AU-6
2.5μs Instruction Cycle Time -40°C to 85°C, 5V ± 20%
- Software Upward Compatible with TMP8049AP/INTEL's 8049
- 2K×8 masked ROM / 128×8 RAM
- Low Power
10mA MAX. in Normal Operation (V_{CC} = 5V, f_{X TAL} = 6MHz)
10μA MAX. in Power Down Mode (V_{CC} = 5V, f_{X TAL} : DC)
- Power Down Mode (Stand-by Mode)
- Halt Mode (Idle Mode)

2.2 Pin Names And Pin Description

- V_{SS} (Power Supply)
Circuit GND potential
- V_{CC} (Power Supply)
+ 5V during operation
- \overline{PS} (Input)
The control signal for the power saving at the power down mode (Active Low)
- PROG (Output)
Output strobe for the TMP82C43P I/O expander.
- P_{10} - P_{17} (Input/Output) Port 1
8-bit quasi-bidirectional port (Internal Pullup=50K Ω).
- P_{20} - P_{27} (Input/Output) Port 2
8-bit quasi-bidirectional port (Internal Pullup=50K Ω).
 P_{20} - P_{23} contain the four high order program counter bits during an external program memory fetch and serve as a 4-bit I/O expander bus for the TMP82C43P.
- DB_0 - DB_7 (Input/Output, Tri-State)
True bidirectional port which can be written or read synchronously using the \overline{RD} , \overline{WR} strobes. The port can also be statically latched. Contains the 8 low order program counter bits during an external program memory fetch, and receives the addressed instruction under the control of \overline{PSEN} .
Also contains the address and data during an external RAM data store instruction, under control of ALE, \overline{RD} , and \overline{WR} .
- T_0 (Input/Output)
Input pin testable using the conditional transfer instructions JT_0 and JNT_0 . T_0 can be designated as a clock output using ENT_0 CLK instruction.
- T_1 (Input)
Input pin testable using the JT_1 and JNT_1 instruction. Can be designated the event counter input using the timer/STRT CNT instruction.
- \overline{INT} (Input)
External interrupt input. Initiates an interrupt if interrupt is enabled. Interrupt is disabled after a reset. Also testable with conditional jump instruction. (Active low)

- \overline{RD} (Output)

Output strobe activated during a Bus read. Can be used to enable data onto the Bus from an external device. Used as a Read Strobe to External Data Memory (Active Low).
- \overline{WR} (Output)

Output strobe during a Bus write (Active Low). Used as a Write Strobe to External Data Memory.
- \overline{RESET} (Input)

Active Low signal which is used to initialize the Processor. Also used during the power down mode.
- ALE (Output)

Address Latch Enable. This signal occurs once during each cycle and is useful as a clock output. The negative edge of ALE strobes address into external data and program memory.
- \overline{PSEN} (Output)

Program Store Enable. This output occurs only during a fetch to external program memory (Active Low).
- \overline{SS} (Input)

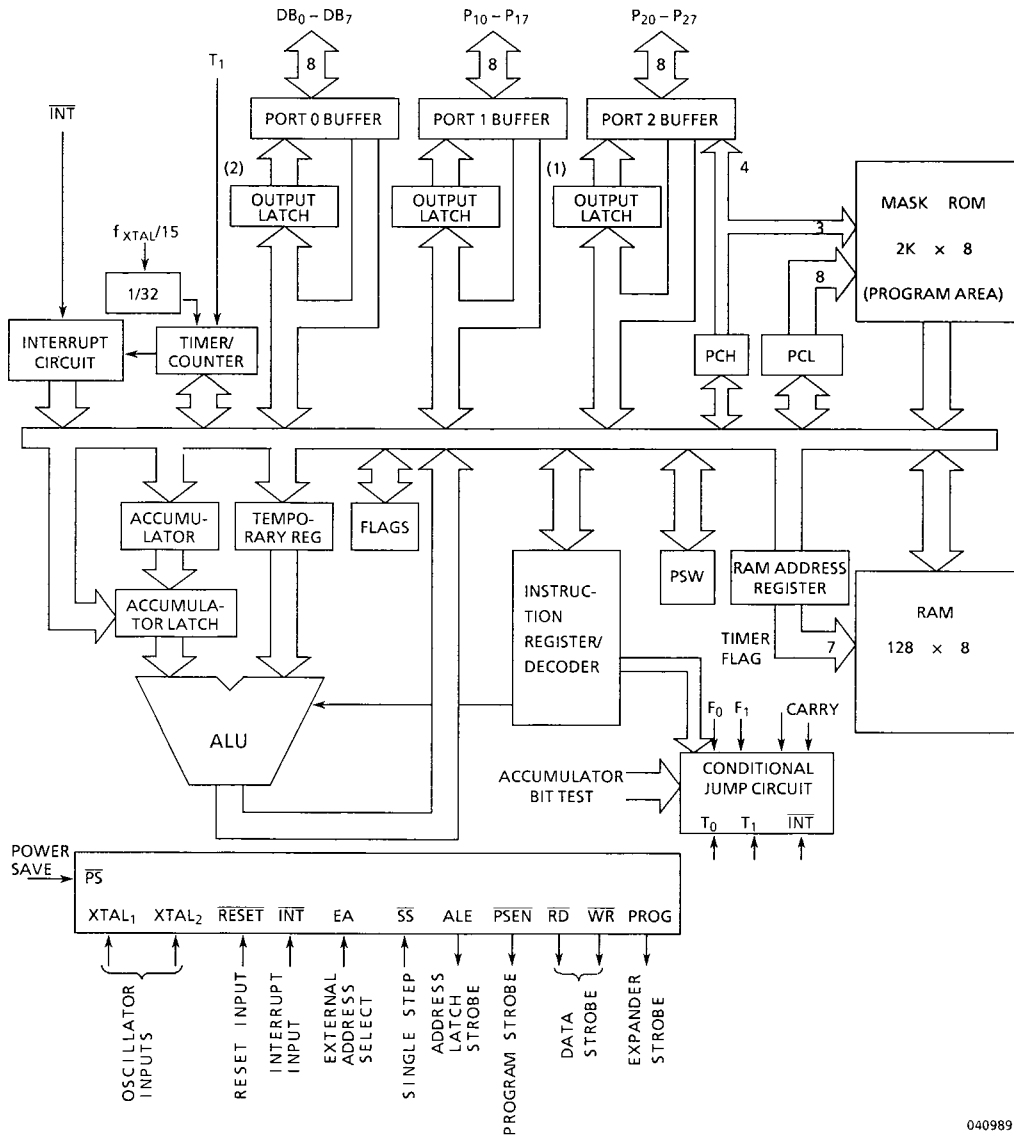
Single step input can be used in conjunction with ALE to “single step” processor through each instruction when \overline{SS} is low the CPU is placed into a wait state after it has completed the instruction being executed. Also used during the power down mode.
- EA (Input)

External Access input which forces all program memory fetches to reference external memory. Useful for emulation and debug and essential for testing and program verification. (Active High)
- XTAL₁ (Input)

One side of crystal input for internal oscillator. Also input for external source.
- XTAL₂ (Input)

Other side of crystal input.

2.3 Block Diagram



040989

Note 1: The lower order 4 bit of port 2 output latch are used also for input/output operations with the I/O expander.

Note 2: The output latch of port 0 is also used for address output.

Figure 2.3 Block Diagram

3. MACHINE INSTRUCTION

The following symbols and codes are used in the list of machine instruction.

Symbol	Meaning
Rr	Working register ($0 < r < 7$)
Pp	I/O port address P; ($0 < p < 7$)
JBb	Branch instruction in accordance with bit content (b) of operand
aH	Higher order 3 bits of a
aM	Medium order 4 bits of a
aL	Lower order 4 bits of a
aML	Medium order or lower order 8 bits of a
(a)	Content of a
[(a)]	Content of RAM addressed by a
EXT[(a)]	Content of external RAM addressed by a
PRO[(a)]	Content of ROM addressed by a
a<m>	Value at bit position m of a
a<m:n>	Value at bit position m to n of a
a←b	Store a into b
a↔b	Exchange a for b
.	Connection
\bar{a}	1 complement of a
a+b	a plus b (Addition)
a-b	a minus b (Subtraction)
a∧b	Logical AND for a and b
a∨b	Logical OR for a and b
a⊕b	Exclusive OR for a and b
a=b	a is equal to b
a<>b	a is not equal to b
(a) BCD	Converted value of accumulator

020989

List of TLCS-48 Machine Instruction (1/4)

ITEM	Assembler Mnemonic	Object Code (1st (2nd))		Function	Flag C, AC	Cycle	
		Bin	Hex				
Accumulator Instruction	ADD A, Rr	01101rrr	68+r	(A) \leftarrow (A)+(Rr) r=0~7	\uparrow \downarrow	1	
	ADD A, @Rr	0110000r	60+r	(A) \leftarrow (A)+[(Rr)] r=0,1	\uparrow \downarrow	1	
	ADD A, #i	00000011 iiiiiii	03 ii	(A) \leftarrow (A)+i	\uparrow \downarrow	2	
	ADDC A, Rr	01111rrr	78+r	(A) \leftarrow (A)+(Rr)+(c) r=0~7	\uparrow \downarrow	1	
	ADDC A, @Rr	0111000r	70+r	(A) \leftarrow (A)+[(Rr)]+(c) r=0,1	\uparrow \downarrow	1	
	ADDC A, #i	00010011 iiiiiii	13 ii	(A) \leftarrow (A)+i+(c)	\uparrow \downarrow	2	
	ANL A, Rr	01011rrr	58+r	(A) \leftarrow (A) \wedge (Rr) r=0~7		1	
	ANL A, @Rr	0101000r	50+r	(A) \leftarrow (A) \wedge [(Rr)] r=0,1		1	
	ANL A, #i	01010011 iiiiiii	53 ii	(A) \leftarrow (A) \wedge i		2	
	ORL A, Rr	01001rrr	48+r	(A) \leftarrow (A) \vee (Rr) r=0~7		1	
	ORL A, @Rr	0100000r	40+r	(A) \leftarrow (A) \vee [(Rr)] r=0,1		1	
	ORL A, #i	01000011 iiiiiii	43 ii	(A) \leftarrow (A) \vee i		2	
	XRL A, Rr	11011rrr	D8+r	(A) \leftarrow (A) \vee (Rr) r=0~7		1	
	XRL A, @Rr	1101000r	D0+r	(A) \leftarrow (A) \vee [(Rr)] r=0,1		1	
	XRL A, #i	11010011 iiiiiii	D3 ii	(A) \leftarrow (A) \vee i		2	
	INC A	00010111	17	(A) \leftarrow (A)+1		1	
	DEC A	00000111	07	(A) \leftarrow (A)-1		1	
	CLR A	00100111	27	(A) \leftarrow 0		1	
	CPL A	00110111	37	(A) \leftarrow NOT(A)		1	
	DA A	01010111	57	(A) \leftarrow (A)BCD	\uparrow	1	
	SWAP A	01000111	47	(A) \langle 7:4 \rangle \leftrightarrow (A) \langle 3:0 \rangle		1	
	RL A	11100111	E7	(A) \langle n+1 \rangle \leftarrow (A) \langle n \rangle (A) \langle 0 \rangle \leftarrow (A) \langle 7 \rangle n=0~6		1	
	RLC A	11110111	F7	(A) \langle n+1 \rangle \leftarrow (A) \langle n \rangle (C) \leftarrow (A) \langle 7 \rangle (A) \langle 0 \rangle \leftarrow (C) n=0~6	\uparrow	1	
	RR A	01110111	77	(A) \langle n \rangle \leftarrow (A) \langle n+1 \rangle n=0~6 (A) \langle 7 \rangle \leftarrow (A) \langle 0 \rangle		1	
	RRC A	01100111	67	(A) \langle n \rangle \leftarrow (A) \langle n+1 \rangle (C) \leftarrow (A) \langle 0 \rangle (A) \langle 7 \rangle \leftarrow (C) n=0~6	\uparrow	1	
	I/O	IN A, Pp	000010pp	08+p	(A) \leftarrow (Pp) P=1,2		2
		OUTL Pp, A	001110pp	38+p	(Pp) \leftarrow (A) P=1,2		2
		ANL Pp, #i	100110pp iiiiiii	98+p ii	(Pp) \leftarrow (Pp) \wedge i P=1,2		2
		ORL Pp, #i	100010pp iiiiiii	88+p ii	(Pp) \leftarrow (Pp) \vee i P=1,2		2

020989

List of TLCS-48 Machine Instruction (2/4)

ITEM	Assembler Mnemonic	Object Code (1st 2nd)		Function	Flag C, AC	Cycle
		Bin	Hex			
I/O	INS A, BUS	00001000	08	(A)←(BUS)		2
	OUTL BUS, A	00000010	02	(BUS)←(AC)		2
	ANL BUS, #i	10011000 iiiiiii	98 ii	(BUS)←(BUS) ∧ i		2
	ORL BUS, #i	10001000 iiiiiii	88 ii	(BUS)←(BUS) ∨ i		2
	MOVD A, Pp	00001pp	0C+p	(A)<3:0> ←(Pp) p=4~7 (A)<7:4> ←0		2
	MOVD Pp, A	00111pp	3C+p	(Pp) ←(A)<3:0> p=4~7		2
	ANLD Pp, A	10011pp	9C+p	(Pp) ←(Pp)∧(A)<3:0> p=4~7		2
	ORLD Pp, A	10001pp	8C+p	(Pp) ←(Pp)∨(A)<3:0> p=4~7		2
(1)	INC Rr	00011rrr	18+r	(Rr) ←(Rr)+1 r=0~7		1
	INC @Rr	0001000r	10+r	[(Rr)] ←[(Rr)]+1 r=0,1		1
	DEC Rr	11001rrr	C8+r	(Rr) ←(Rr)-1 r=0~7		1
Branch Instruction	JMP a	aH00100 aML	aH+4	(PC)<10:0> ←a (PC)<11> ←(DBF)		2
	JMPP @A	10110011	B3	(PC)<7:0>+PRO[(PC)<11:8>·(A)]		2
	DJNZ Rr, a	11101rrr aML	E8+r	(Rr) ←(Rr)-1 r=0~7 if(Rr) ≠0then(PC)<7:0>←aML else no operation		2
	JC a	11110110 aML	F6	if(C)=1 then(PC)<7:0>←aML else no operation		2
	JNC a	11100110 aML	E6	if(C)=0 then(PC)<7:0>←aML else no operation		2
	JZ a	11000110 aML	C6	if(A)=0 then(PC)<7:0>←aML else no operation		2
	JNZ a	10010110 aML	96	if(A)≠0 then(PC)<7:0>←aML else no operation		2
	JT0 a	00110110 aML	36	if T0=1 then(PC)<7:0>←aML else no operation		2
	JNT0 a	00100110 aML	26	if T0=0 then(PC)<7:0>←aML else no operation		2
	JT1 a	01010110 aML	56	if T1=1 then(PC)<7:0>←aML else no operation		2
	JNT1 a	01000110 aML	46	if T1=0 then(PC)<7:0>←aML else no operation		2
	JF0 a	10110110 aML	B6	if F0=1 then(PC)<7:0>←aML else no operation		2
	JF1 a	01110110 aML	76	if F1=1 then(PC)<7:0>←aML else no operation		2
	JTF a	00010110 aML	16	if TF=1 then(PC)<7:0>←aML else no operation		2

(1) ----- Register Instruction

020989

List of TLCS-48 Machine Instruction (3/4)

ITEM	Assembler Mnemonic		Object Code		Function	Flag C, AC	Cycle
			(1st)	(2nd)			
			Bin	Hex			
(2)	JNI a		10000110 aML	86	if INT =0 then(PC)<7:0>←aML else no operation		2
	JBb a		bbb10010 aML	b+12	if (A)=1 then (PC)<7:0>←aML else no operation b=0~7		2
(3)	CALL a		aH10100 aML	aH+14	[(SP)] ←(PSW)<7:4>·(PC) (SP) ←(SP)+1 (PC)<10:0> ←a (PC)<11> ←(DBF)		2
	RET		10000011	83	(SP)←(SP)-1 (PC) ←[(SP)]<11:0>		2
	RETR		10010011	93	(SP)←(SP)-1 (PC) ←[(SP)]<11:0> (PSW)<7:4> ←[(SP)]<15:12>	↕	2
(4)	CLR C		10010111	97	(C)←0		1
	CPL C		10100111	A7	(C)←NOT(C)		1
	CLR F0		10000101	85	(F0) ←0		1
	CPL F0		10010101	95	(F0) ←NOT(F0)		1
	CLR F1		10100101	A5	(F1) ←0		1
	CPL F1		10110101	B5	(F1) ←NOT(F1)		1
Move Instruction	MOV A , Rr		1111rrrr	F8+r	(A)←(Rr) r=0~7		1
	MOV A ,@Rr		1111000r	F0+r	(A)←[(Rr)] r=0,1		1
	MOV A ,#i		00100011 iiiiiiii	23 ii	(A) ←i		2
	MOV Rr , A		10101rrr	A8+r	(Rr)←(A) r=0~7		1
	MOV @Rr , A		1010000r	A0+r	[(Rr)]←(A) r=0,1		1
	MOV Rr ,#i		10111rrr iiiiiiii	B8+r ii	(Rr)←i r=0~7		2
	MOV @Rr ,#i		1011000r iiiiiiii	B0+r ii	[(Rr)]←i r=0,1		2
	MOV A ,PSW		11000111	C7	(A) ←(PSW)		1
	MOV PSW ,A		11010111	D7	(PSW) ←(A)		1
	XCH A ,Rr		00101rrr	28+r	(A) ↔(Rr) r=0~7		1
	XCH A ,@Rr		0010000r	20+r	(A) ↔[(Rr)] r=0,1		1
	XCHD A ,@Rr		0011000r	30+r	(A)<3:0>↔[(Rr)<3:0>] r=0,1		1
	MOVX @Rr ,A		1001000r	90+r	EXT[(Rr)] ←(A) r=0,1		1
	MOVX A ,@Rr		1000000r	80+r	(A) ←EXT[(Rr)] r=0,1		1
	MOVP A ,@A		10100011	A3	(A) ←PRO[(PC)<11:8>·(A)]		1
MOVP3 A ,@A		11100011	E3	(A) ←PRO[(PC)<11>·011·(A)]		1	

020989

(2) Branch Instruction (3) Subroutine Instruction
(4) Flag Instruction

List of TLCS-48 Machine Instruction (4/4)

ITEM	Assembler Mnemonic	Object Code (1st 2nd)		Function	Flag C, AC	Cycle
		Bin	Hex			
Timer Counter	MOV A, T	01000010	42	(A) ← (TR)		1
	MOV T, A	01100010	62	(TR) ← (A)		1
	STRT T	01010101	55	Start Timer		1
	STRT CNT	01000101	45	Start Counter		1
	STOP TCNT	01100101	65	Stop Timer/Counter		1
	EN TCNTI	00100101	25	Enable Timer/Counter Interrupt		1
	DIS TCNTI	00110101	35	Disable Timer/Counter Interrupt		1
Control	EN I	00000101	05	Enable External Interrupt		1
	DIS I	00010101	15	Disable External Interrupt		1
	SEL RB0	11000101	C5	(BS) ← 0		1
	SEL RB1	11010101	D5	(BS) ← 1		1
	SEL MB0	11100101	E5	(DBF) ← 0		1
	SEL MB1	11110101	F5	(DBF) ← 1		1
	ENT0 CLK	01110101	75	Enable Clock Output on To		1
HALT	00000001	01	Halt		1	
(5)	NOP	00000000	00	no operation		1

(5) Other

020989

4. ELECTRICAL CHARACTERISTICS

4.1 Absolute Maximum Ratings

TMP80C49AP/C39AP/C49AU

SYMBOL	ITEM	RATING
V _{CC}	V _{CC} Supply Voltage (with respect to GND (V _{SS}))	-0.5V to +7V
V _{INA}	Input Voltage (Except EA)	-0.5V to V _{CC} + 0.5V
V _{INB}	Input Voltage (Only EA)	-0.5V to +13V
P _D	Power Dissipation (T _a = 85°C)	250mW
T _{SOLDER}	Soldering Temperature (Soldering Time 10 sec)	260°C
T _{STG}	Storage Temperature	-65°C to 150°C
T _{OPR}	Operating Temperature	-40°C to 85°C

040989

4.2 DC Characteristics

TMP80C49AP/C39AP/C49AU

T_{OPR} = -40°C to 85°C, V_{CC} = +5V ± 10%, V_{SS} = 0V, unless otherwise noted.

SYMBOL	PARAMETER	TEST CONDITIONS	MIN.	TYP.	MAX.	UNIT
V _{IL}	Input Low Voltage (Except XTAL ₁ , XTAL ₂ , RESET)		-0.5	—	0.8	V
V _{IL1}	Input Low Voltage (XTAL ₁ , XTAL ₂ , RESET)		-0.5	—	0.6	V
V _{IH}	Input High Voltage (Except XTAL ₁ , XTAL ₂ , RESET, PS)		2.2	—	V _{CC}	V
V _{IH1}	Input High Voltage (XTAL ₁ , XTAL ₂ , RESET, PS)		0.7x V _{CC}	—	V _{CC}	V
V _{OL}	Output Low Voltage (Except P ₁₀ -P ₁₇ , P ₂₀ -P ₂₇)	I _{OL} = 1.6mA	—	—	0.45	V
V _{OL1}	Output Low Voltage (P ₁₀ -P ₁₇ , P ₂₀ -P ₂₇)	I _{OL} = 1.2mA	—	—	0.45	V
V _{OH11}	Output High Voltage (Except P ₁₀ -P ₁₇ , P ₂₀ -P ₂₇)	I _{OH} = -1.6mA	2.4	—	—	V
V _{OH12}	Output High Voltage (Except P ₁₀ -P ₁₇ , P ₂₀ -P ₂₇)	I _{OH} = -400μA	V _{CC} -0.8	—	—	V
V _{OH21}	Output High Voltage (P ₁₀ -P ₁₇ , P ₂₀ -P ₂₇)	I _{OH} = -50μA	2.4	—	—	V
V _{OH22}	Output High Voltage (P ₁₀ -P ₁₇ , P ₂₀ -P ₂₇)	I _{OH} = -25μA	V _{CC} -0.8	—	—	V
I _{LI}	Input Leak Current (T ₁ , INT, EA, PS)	V _{SS} ≦ V _{IN} ≦ V _{CC}	—	—	±10	μA
I _{LI1}	Input Leak Current (SS, RESET)	V _{SS} ≦ V _{IN} ≦ V _C	—	—	-50	μA
I _{LI2}	Output Leak Current (P ₁₀ -P ₁₇ , P ₂₀ -P ₂₇)	V _{SS} + 0.45V ≦ V _{IN} ≦ V _{CC}	—	—	-500	μA
I _{LO}	Output Leak Current (BUS, T ₀) (High impedance condition)	V _{SS} + 0.45V ≦ V _{IN} ≦ V _{CC}	—	—	±10	μA
ICC1	V _{CC} Supply Current	Normal operation	V _{CC} = 5V, f _{XTAL} = 6MHz V _{IH} = V _{CC} - 0.2V V _{IL} = 0.2V			mA
ICCH1		HALT Mode	—	—	2.5	
ICC2	V _{CC} Supply Current	Normal operation	V _{CC} = 5V, f _{XTAL} = 11MHz V _{IH} = V _{CC} - 0.2V V _{IL} = 0.2V			mA
ICCH2		HALT Mode	—	—	4.0	

040989

4.3 AC Characteristics

TMP80C49AP/C39AP/C49AU
 $T_{OPR} = -40^{\circ}\text{C}$ to 85°C , $V_{CC} = +5\text{V} \pm 10\%$, $V_{SS} = 0\text{V}$, unless otherwise noted.

SYMBOL	PARAMETER	TEST CONDITION	f (t)	11MHz		UNIT
				MIN.	MAX.	
t	Clock Period	Note 2	1/xtal f	90.9	1000	ns
t _{LL}	ALE Pulse Width		3.5t - 170	150	-	ns
t _{AL}	Address Setup Time (ALE)		2t - 110	70	-	ns
t _{LA}	Address Hold Time (ALE)	CL = 20pF	t - 40	50	-	ns
t _{CC1}	Control Pulse Width (RD, WR)		7.5t - 200	480	-	ns
t _{CC2}	Control Pulse Width (PSEN)		6t - 200	350	-	ns
t _{DW}	Data Setup Time (WR)		6.5t - 200	390	-	ns
t _{WD}	Data Hold Time (WR)	CL = 20pF	t - 50	40	-	ns
t _{DR}	Data Hold Time (RD, PSEN)	CL = 20pF	1.5t - 30	0	110	ns
t _{RD1}	Data Input Read Time (RD)		5.5t - 120	-	375	ns
t _{RD2}	Data Input Read Time (PSEN)		4t - 120	-	240	ns
t _{AW}	Address Setup Time (WR)		5t - 150	300	-	ns
t _{AD1}	Address Setup Time (RD)		10t - 170	-	730	ns
t _{AD2}	Address Setup Time (PSEN)		7t - 170	-	460	ns
t _{AFC1}	Address Float Time (RD, WR)	CL = 20pF	2t - 40	140	-	ns
t _{AFC2}	Address Float Time (PSEN)	CL = 20pF	0.5t - 40	10	-	ns
t _{LAFC1}	ALE to Control Time (RD, WR)		3t - 75	200	-	ns
t _{LAFC2}	ALE to Control Time (PSEN)		1.5t - 75	60	-	ns
t _{CA1}	Control to ALE Time (RD, WR, PROG)		t - 65	25	-	ns
t _{CA2}	Control to ALE Time (PSEN)		4t - 70	290	-	ns

040989

AC Characteristics (Continue)

$T_{OPR} = -40^{\circ}\text{C}$ to 85°C , $V_{CC} = +5\text{V} \pm 10\%$, $V_{SS} = 0\text{V}$, unless otherwise noted.

SYMBOL	PARAMETER	TEST CONDITION	f (t)	11MHz		UNIT
				MIN.	MAX.	
t_{CP}	Port Control Setup Time (PROG)		1.5t – 80	50	–	ns
t_{PC}	Port Control Hold Time (PROG)		4t – 260	100	–	ns
t_{PR}	Port 2 Input Data Setup Time (PROG)		8.5t – 120	–	650	ns
t_{PF}	Port 2 Input Data Hold Time (PROG)		1.5t	0	140	ns
t_{DP}	Port 2 Output Data Setup Time (PROG)		6t – 290	250	–	ns
t_{PD}	Port 2 Output Data Hold Time (PROG)		1.5t – 90	40	–	ns
t_{PP}	PROG Pulse Width		10.5t – 250	700	–	ns
t_{PL}	Port 2 I/O Data Setup Time (ALE)		4t – 200	160	–	ns
t_{LP}	Port 2 I/O Data Hold Time (ALE)		0.5t – 30	15	–	ns
t_{PV}	Port Output Delay Time (ALE)		4.5t + 100	–	510	ns
t_{OPRR}	T_0 Clock Period		3t	270	–	ns
t_{CY}	Cycle Time		15t	1.36	15.0	μs

040989

- Note : 1. Control Output $CL=80\text{pF}$. BUS Output $CL=150\text{pF}$.
 2. The f (t) assumes 50% duty cycle on XTAL₁ and XTAL₂.
 The Max. Clock frequency is 11MHz. and the Min. Clock frequency is 1MHz.

4.4 Absolute Maximum Ratings

TMP80C49AP-6/TMP80C39AP-6/TMP80C49AU-6

SYMBOL	ITEM	RATING
V _{CC}	V _{CC} Supply Voltage (with respect to GND (V _{SS}))	- 0.5V to + 7V
V _{INA}	Input Voltage (Except EA)	- 0.5V to V _{CC} + 0.5V
V _{INB}	Input Voltage (Only EA)	- 0.5V to + 13V
P _D	Power Dissipation (Ta = 85°C)	250mW
T _{SOLDER}	Soldering Temperature (Soldering Time 10 sec)	260°C
T _{STG}	Storage Temperature	- 65°C to 150°C
T _{OPR}	Operating Temperature	- 40°C to 85°C

040989

4.5 DC Characteristics (I)

TMP80C49AP-6/TMP80C39AP-6/TMP80C49AU-6
 T_{OPR} = - 40°C to 85°C, V_{CC} = + 5V ± 10%, V_{SS} = 0V, unless otherwise noted

SYMBOL	PARAMETER	TEST CONDITIONS	MIN.	TYP.	MAX.	UNIT	
VIL	Input Low Voltage		- 0.5	-	0.8	V	
VIH	Input High Voltage (Except XTAL ₁ , XTAL ₂ , $\overline{\text{RESET}}$, $\overline{\text{PS}}$)		2.2	-	V _{CC}	V	
VIH1	Input High Voltage (XTAL ₁ , XTAL ₂ , $\overline{\text{RESET}}$, $\overline{\text{PS}}$)		0.7 x V _{CC}	-	V _{CC}	V	
VOL	Output Low Voltage (Except P ₁₀ -P ₁₇ , P ₂₀ -P ₂₇)	IOL = 1.6mA	-	-	0.45	V	
VOL1	Output Low Voltage (P ₁₀ -P ₁₇ , P ₂₀ -P ₂₇)	IOL = 1.2mA	-	-	0.45	V	
VOH11	Output High Voltage (Except P ₁₀ -P ₁₇ , P ₂₀ -P ₂₇)	IOH = - 1.6mA	2.4	-	-	V	
VOH12	Output High Voltage (P ₁₀ -P ₁₇ , P ₂₀ -P ₂₇)	IOH = - 400μA	V _{CC} - 0.8	-	-	V	
VOH21	Output High Voltage (P ₁₀ -P ₁₇ , P ₂₀ -P ₂₇)	IOH = - 50μA	2.4	-	-	V	
VOH22	Output High Voltage (P ₁₀ -P ₁₇ , P ₂₀ -P ₂₇)	IOH = - 25μA	V _{CC} - 0.8	-	-	V	
ILI	Input Leak Current (T ₁ , INT, EA, PS)	V _{SS} ≤ V _{IN} ≤ V _{CC}	-	-	± 10	μA	
ILI1	Input Leak Current (SS, RESET)	V _{SS} ≤ V _{IN} ≤ V _{CC}	-	-	- 50	μA	
ILI2	Input Leak Current (P ₁₀ -P ₁₇ , P ₂₀ -P ₂₇)	V _{SS} + 0.45V ≤ V _{IN} ≤ V _{CC}	-	-	- 500	μA	
ILO	Output Leak Current (BUS, T ₀) (High impedance condition)	V _{SS} + 0.45V ≤ V _{IN} ≤ V _{CC}	-	-	± 10	μA	
ICC1	V _{CC} Supply Current	Normal operation	V _{CC} = 5V, f _{XTAL} = 6MHz	-	-	10	mA
ICCH1		HALT Mode	VIH = V _{CC} - 0.2V VIL = 0.2V	-	-	2.5	

040989

4.6 DC Characteristics (II)

TMP80C49AP-6/TMP80C39AP-6/TMP80C49AU-6
 $T_{OPR} = -40^{\circ}\text{C}$ to 85°C , $V_{CC} = +5\text{V} \pm 20\%$, $V_{SS} = 0\text{V}$, unless otherwise noted

SYMBOL	PARAMETER		TEST CONDITIONS	MIN.	TYP.	MAX.	UNIT
VIL	Input Low Voltage			-0.5	—	$0.15 \times V_{CC}$	V
VIH	Input High Voltage (Except XTAL ₁ , XTAL ₂ , RESET, PS)			$0.5 \times V_{CC}$	—	V_{CC}	V
VIH1	Input High Voltage (XTAL ₁ , XTAL ₂ , RESET, PS)			$0.7 \times V_{CC}$	—	V_{CC}	V
VOL	Output Low Voltage (Except P ₁₀ -P ₁₇ , P ₂₀ -P ₂₇)		IOL = 1.6mA	—	—	0.45	V
VOL1	Output Low Voltage (P ₁₀ -P ₁₇ , P ₂₀ -P ₂₇)		IOL = 1.2mA	—	—	0.45	V
VOH12	Output High Voltage (Except P ₁₀ -P ₁₇ , P ₂₀ -P ₂₇)		IOH = -400μA	$V_{CC} - 0.8$	—	—	V
VOH22	Output High Voltage (P ₁₀ -P ₁₇ , P ₂₀ -P ₂₇)		IOH = -25μA	$V_{CC} - 0.8$	—	—	V
ILI	Input Leak Current (T1, INT, EA, PS)		$V_{SS} \leq V_{IN} \leq V_{CC}$	—	—	± 10	μA
ILI1	Input Leak Current (SS, RESET)		$V_{SS} \leq V_{IN} \leq V_{CC}$	—	—	$\frac{-V_{CC}}{0.1}$	μA
ILI2	Input Leak Current (P ₁₀ -P ₁₇ , P ₂₀ -P ₂₇)		$V_{SS} + 0.45\text{V} \leq V_{IN} \leq V_{CC}$	—	—	$\frac{-V_{CC}}{0.01}$	μA
ILO	Output Leak Current (BUS, T ₀) (High impedance condition)		$V_{SS} + 0.45\text{V} \leq V_{IN} \leq V_{CC}$	—	—	± 10	μA
ICC1	V _{CC} Supply Current	Normal operation	V _{CC} = 5V, f _{XTAL} = 6MHz	—	—	10	mA
ICCH1		HALT Mode	VIH = V _{CC} - 0.2V VIL = 0.2V	—	—	2.5	

040989

4.7 AC Characteristics

TMP80C49AP-6/TMP80C39AP-6/TMP80C49AU-6
 $T_{OPR} = -40^{\circ}\text{C}$ to 85°C , $V_{CC} = +5\text{V} \pm 20\%$, $V_{SS} = 0\text{V}$, unless otherwise noted.

SEMBOL	PARAMETER	TEST CONDITION	f (t)	6 MHz		UNIT
				MIN.	MAX.	
t	Clock Period	Note 2	1 / xtal f	166.6	1000	ns
t _{LL}	ALE Pulse Width		3.5t - 170	410	—	ns
t _{AL}	Address Setup Time (ALE)		2t - 110	220	—	ns
t _{LA}	Address Hold Time (ALE)	CL = 20pF	t - 40	120	—	ns
t _{CC1}	Control Pulse Width (RD,WR)		7.5t - 200	1050	—	ns
t _{CC2}	Control Pulse Width (PSEN)		6t - 200	800	—	ns
t _{DW}	Data Setup Time (WR)		6.5t - 200	880	—	ns
t _{WD}	Data Hold Time (WR)	CL = 20pF	t - 50	120	—	ns
t _{DR}	Data Hold Time (RD,PSEN)	CL = 20pF	1.5t - 30	0	220	ns
t _{RD1}	Data Input Read Time (RD)		5.5t - 120	—	880	ns
t _{RD2}	Data Input Read Time (PSEN)		4t - 120	—	550	ns
t _{AW}	Address Setup Time (WR)		5t - 150	680	—	ns
t _{AD1}	Address Setup Time (RD)		10t - 170	—	1500	ns
t _{AD2}	Address Setup Time (PSEN)		7t - 170	—	1000	ns
t _{AFC1}	Address Float Time (RD, WR)	CL = 20pF	2t - 40	290	—	ns
t _{AFC2}	Address Float Time (PSEN)	CL = 20pF	0.5t - 40	40	—	ns
t _{LAFC1}	ALE to Control Time (RD,WR)		3t - 75	420	—	ns
t _{LAFC2}	ALE to Control Time (PSEN)		1.5t - 75	175	—	ns
t _{CA1}	Control to ALE Time (RD,WR,PROG)		t - 65	100	—	ns
t _{CA2}	Control to ALE Time (PSEN)		4t - 70	590	—	ns

040989

AC Characteristics (Continue)

 $T_{OPR} = -40^{\circ}\text{C to } 85^{\circ}\text{C}$, $V_{CC} = +5\text{V} \pm 10\%$, $V_{SS} = 0\text{V}$, unless otherwise noted.

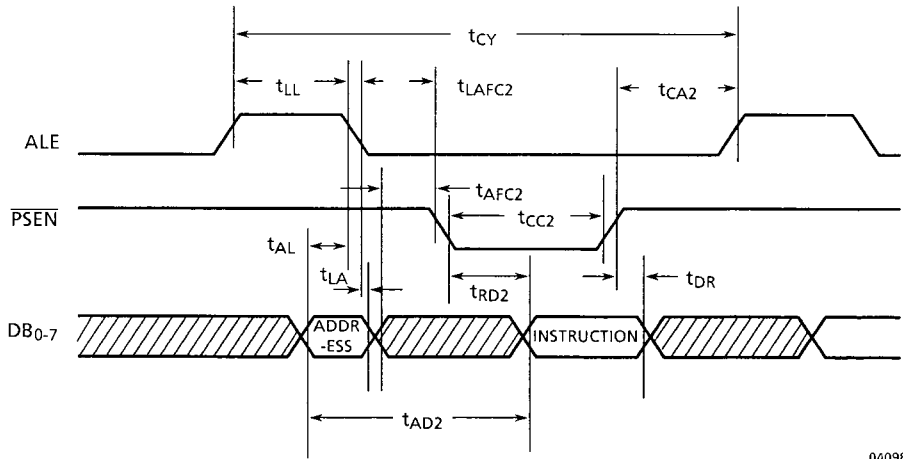
SYMBOL	PARAMETER	TEST CONDITION	f (t)	11MHz		UNIT
				MIN.	MAX.	
t _{CP}	Port Control Setup Time (PROG)		1.5t – 80	170	–	ns
t _{PC}	Port Control Hold Time (PROG)		4t – 260	400	–	ns
t _{PR}	Port 2 Input Data Setup Time (PROG)		8.5t – 120	–	1290	ns
t _{PF}	Port 2 Input Data Hold Time (PROG)		1.5t	0	250	ns
t _{DP}	Port 2 Output Data Setup Time (PROG)		6t – 290	710	–	ns
t _{PD}	Port 2 Output Data Hold Time (PROG)		1.5t – 90	160	–	ns
t _{PP}	PROG Pulse Width		10.5t – 250	1500	–	ns
t _{PL}	Port 2 I/O Data Setup Time (ALE)		4t – 200	460	–	ns
t _{LP}	Port 2 I/O Data Hold Time (ALE)		0.5t – 30	130	–	ns
t _{PV}	Port Output Delay Time (ALE)		4.5t + 100	–	850	ns
t _{OPRR}	T ₀ Clock Period		3t	500	–	ns
t _{CY}	Cycle Time		15t	2.5	15.0	μs

040989

- Note :
- Control Output CL=80pF. BUS Output CL=150pF.
 - The f (t) assumes 50% duty cycle on XTAL₁ and XTAL₂.
The Max. Clock frequency is 6MHz. and the Min. Clock frequency is 1MHz.

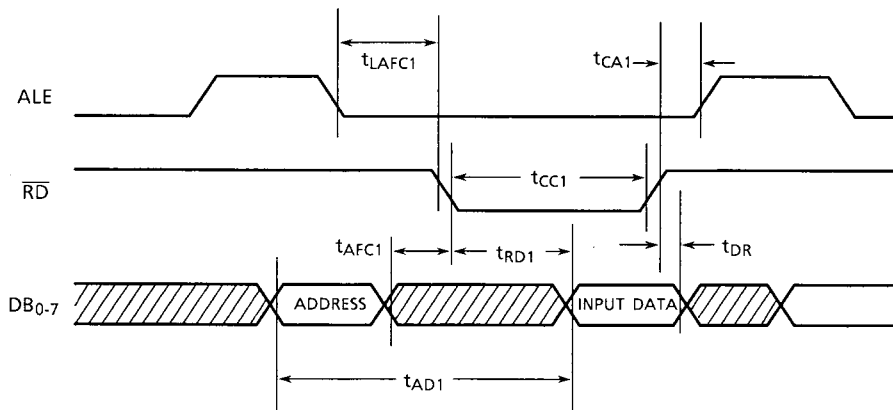
4.8 Timing Waveform

A. Instruction Fetch from External Program Memory



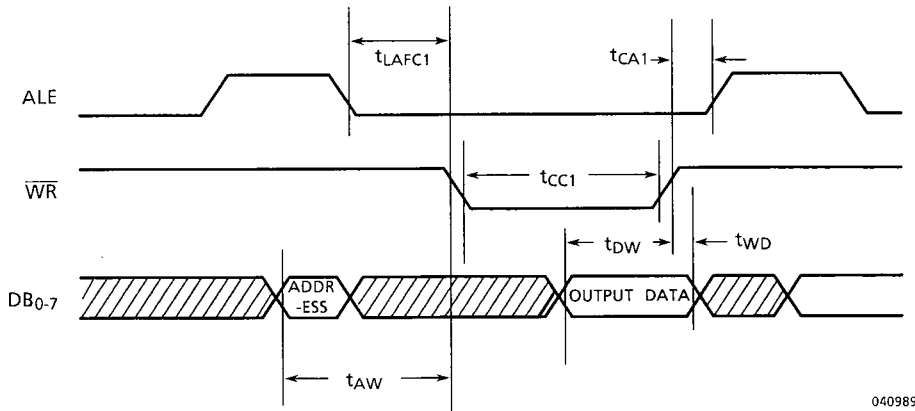
040989

B. Read from External Data Memory



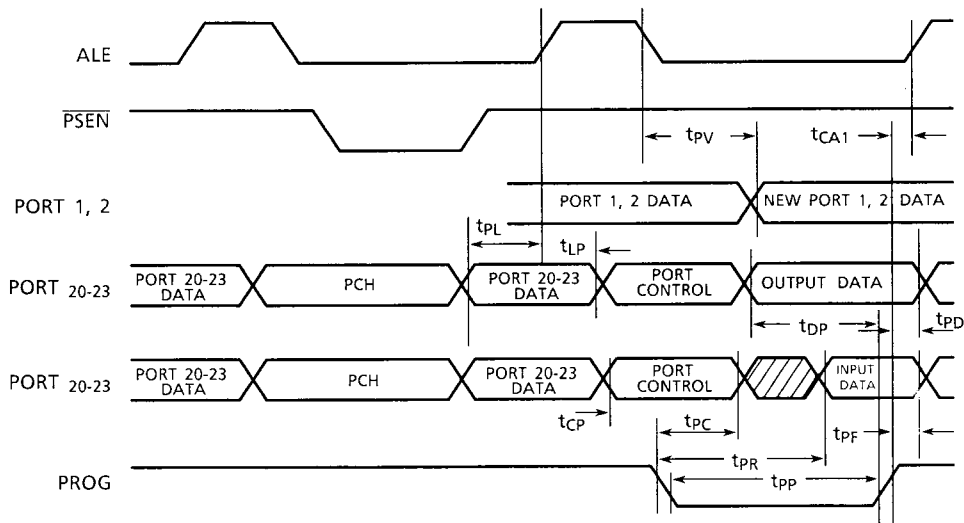
040989

C. Write into External Data Memory



040989

D. Timing of Port 2 during Expandar Instruction Execution



040989

4.9 Stand-By Function

4.9.1 Power Down Mode (I) Data Hold Mode in RAM

The operation of oscillation circuit is suspended by setting \overline{PS} terminal to low level after \overline{RESET} terminal has been set to low level. Consequently, all the data in RAM area can be held in low power consumption.

The minimum hold voltage of V_{CC} in this mode is 2V.

\overline{PS} terminal is set to high level to resume oscillation after V_{CC} has been reset to 5V, and then \overline{RESET} terminal is set to high level, thus, the normal mode is restarted from the initialize operation (address 0).

(1) DC Characteristics

TMP80C49AP/C39AP/C49AU : $T_{OPR} = -40^{\circ}C$ to $85^{\circ}C$, $V_{SS} = 0V$
 TMP80C49AP-6/C39AP-6/C49AU-6

SYMBOL	PARAMETER	TEST CONDITION	MIN.	TYP.	MAX.	UNIT
VSB1	Standby Voltage (1)		2.0	—	6.0	V
ISB1	Standby Current (1)	$V_{CC} = 5V, V_{IH} = V_{CC} - 0.2V, V_{IL} = 0.2V$	—	0.5	10	μA

040989

(2) AC Characteristics

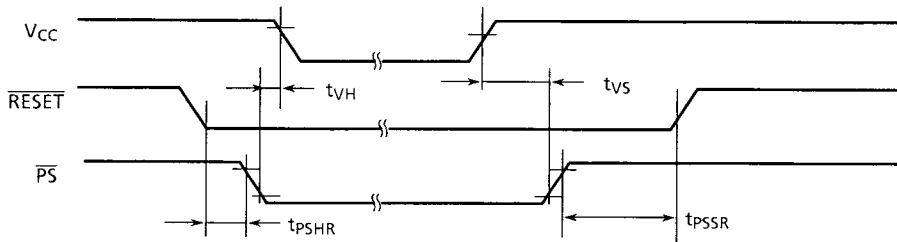
TMP80C49AP/C39AP/C49AU : $V_{CC} = +5V \pm 10\%$, $V_{SS} = 0V$
 TMP80C49AP-6/C39AP-6/C50AU-6 : $V_{CC} = +5V \pm 20\%$, $V_{SS} = 0V$

SYMBOL	PARAMETER	TEST CONDITION	MIN.	TYP.	MAX.	UNIT
t_{PSHR}	Power Save Hold Time (\overline{RESET})		10	—	—	μs
t_{PSSR}	Power Save Setup Time (\overline{RESET})		10	—	—	ms
t_{VH}	V_{CC} Hold Time (\overline{PS})		5	—	—	μs
t_{VS}	V_{CC} Setup Time (\overline{PS})		5	—	—	μs

Note : $t_{CY} = 2.5\mu s$ ($f_{XTAL} = 6MHz$)

040989

(3) Timing Waveform



040989

4.9.2 Power Down Mode (II) ----- ALL Data Hold Mode

The operation of oscillation circuit is suspended by setting \overline{PS} terminal to low level after \overline{SS} terminal has been set to low level. Consequently, all data can be held in low power consumption.

The minimum hold voltage of V_{CC} in this mode is 3V.

\overline{PS} terminal is set to high level to resume oscillation after V_{CC} has been reset to 5V, and then \overline{SS} terminal is set to high level, thus, the normal mode is restarted continuously from the state just before the power down mode (II).

(1) AC Characteristics

TMP80C49AP/C39AP/C49AU : $T_{OPR} = -40^{\circ}C$ to $85^{\circ}C$, $V_{SS} = 0V$
 TMP80C49AP-6/C39AP-6/C49AU-6

SYMBOL	PARAMETER	TEST CONDITION	MIN.	TYP.	MAX.	UNIT
VSB ₂	Standby Voltage (2)		3.0	—	6.0	V
ISB ₂	Standby Current (2)	$V_{CC} = 5V, V_{IH} = V_{CC} - 0.2V, V_{IL} = 0.2V$	—	0.5	10	μA

040989

(2) AC Characteristics

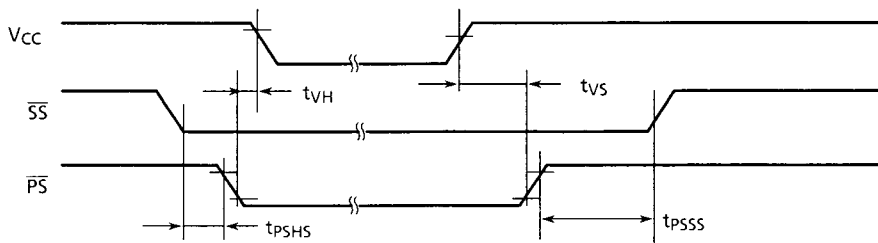
TMP80C49AP/C39AP/C49AU : $V_{CC} = +5V \pm 10\%$, $V_{SS} = 0V$
 TMP80C49AP-6/C39AP-6/C49AU-6 : $V_{CC} = +5V \pm 20\%$, $V_{SS} = 0V$

SYMBOL	PARAMETER	TEST CONDITION	MIN.	TYP.	MAX.	UNIT
t _{PSHR}	Power Save Hold Time (\overline{SS})		10	—	—	μs
t _{PSSR}	Power Save Setup Time (\overline{SS})		10	—	—	ms
t _{VH}	V_{CC} Hold Time (\overline{PS})		5	—	—	μs
t _{VS}	V_{CC} Setup Time (\overline{PS})		5	—	—	μs

Note : t_{CY} = 2.5 μs (f_{X_{TAL}} = 6MHz)

040989

(3) Timing Waveform



040989

4.9.3 HALT MODE

(1) HALT INSTRUCTION

OP code is "01H". HALT INSTRUCTION is an additional instruction to the standard 8048/8049 instruction set.

(2) Entry to HALT MODE

On the execution of HALT INSTRUCTION, TMP80C49A/TMP80C39A enter HALT MODE.

(3) Status in HALT MODE

The oscillator continues its operation, however, the internal clocks and internal logic values just prior to the execution of HALT INSTRUCTION are maintained. Power consumption in HALT MODE is less than 50% of normal operation. The status of each pins are described in the following table.

(4) Release from HALT MODE

HALT MODE is released by either of two signals ($\overline{\text{RESET}}$, $\overline{\text{INT}}$).

(4.1) $\overline{\text{RESET}}$ Release Mode : An active $\overline{\text{RESET}}$ input signal causes the normal reset function. TMP80C49A/TMP80C39A start the program at address "000H".

(4.2) $\overline{\text{INT}}$ Release Mode : An active $\overline{\text{INT}}$ input signal causes the normal operation.

- In case of interrupt enable mode (EI MODE), TMP80C49A/TMP80C39A execute the interrupt service routine, after the execution of one instruction which is located at the next address after HALT INSTRUCTION.
- In case of interrupt disable mode (DI MODE), TMP80C49A/TMP80C39A execute normal operation from the next address after HALT INSTRUCTION.

(5) Supply Voltage Range in HALT MODE

The operating supply voltage range and the operating temperature range are same as in normal operation.

TMP80C49AP/C39AP/C49AU : $V_{CC} = 5V \pm 10\%$

TMP80C49AP-6/C39AP-6/C49AU-6 : $V_{CC} = 5V \pm 20\%$

4.9.4 Pin Status In Power Down Mode (I) (II)

PIN NAME	STATUS
DB ₀ ~DB ₇	High impedance Input disabled
P ₁₀ ~P ₁₇	
P ₂₀ ~P ₂₇	
T ₀	High impedance, input disabled
T ₁	Input disabled
XTAL ₁	High impedance
XTAL ₂	Output "High" Level
$\overline{\text{RESET}}$, $\overline{\text{SS}}$	Input disabled when oscillator is stopped. Pull-up transistors turn off.
$\overline{\text{INT}}$, EA	Input disabled when oscillator is stopped.
$\overline{\text{RD}}$, $\overline{\text{WR}}$, ALE PROG, PSEN	High impedance

040989

4.9.5 Pin Status In HALT MODE

PIN NAME	STATUS
DB ₀ ~DB ₇	Values prior to the execution of HALT INSTRUCTION are maintained.
P ₁₀ ~P ₁₇	
P ₂₀ ~P ₂₇	
T ₀	Status prior to the execution of HALT INSTRUCTION is maintained.
T ₁	Input disabled
XTAL ₁ , XTAL ₂	Continue oscillation
$\overline{\text{RESET}}$, $\overline{\text{INT}}$	Input enabled
$\overline{\text{SS}}$, EA	Input disabled
$\overline{\text{RD}}$, $\overline{\text{WR}}$ PROG, PSEN	Output "High" level
ALE	Output "Low" level

040989

5. OSCILLATOR

QUARTZ CRYSTAL

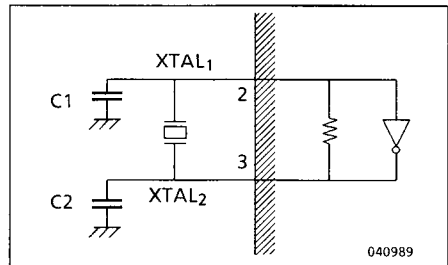
f = 1MHz to 4MHz : C1 = C2 = 30pF

f = 4MHz to 11MHz : C1 = C2 = 20pF

CERAMIC RESONATOR

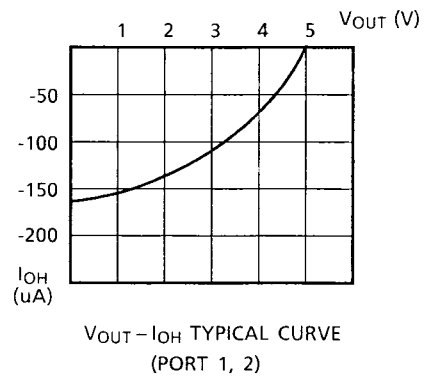
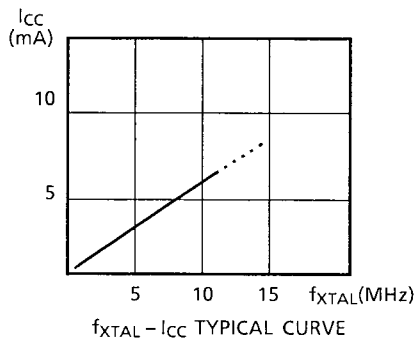
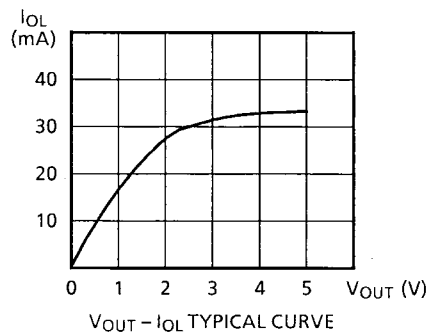
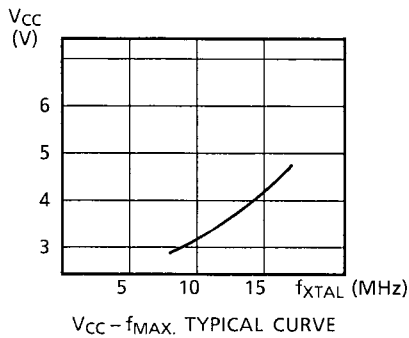
f = 1MHz to 3MHz : C1 = C2 = 100pF

f = 3MHz to 11MHz : C1 = C2 = 30PF

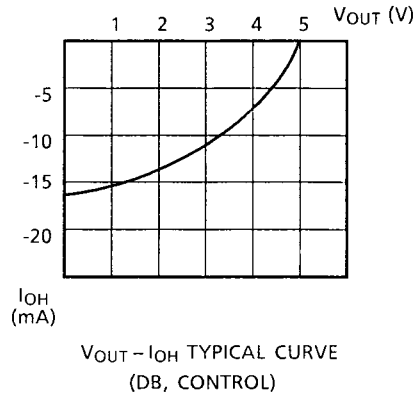
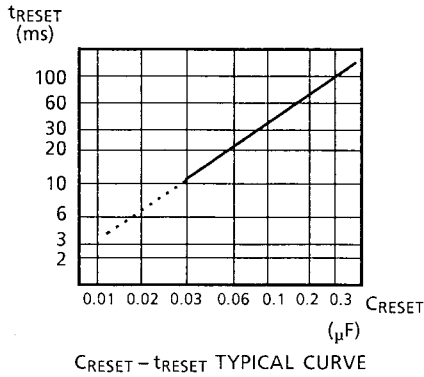


6. TYPICAL CHARACTERISTICS

: Vcc = 5V, Ta = 25°C, unless Otherwise noted.



040989



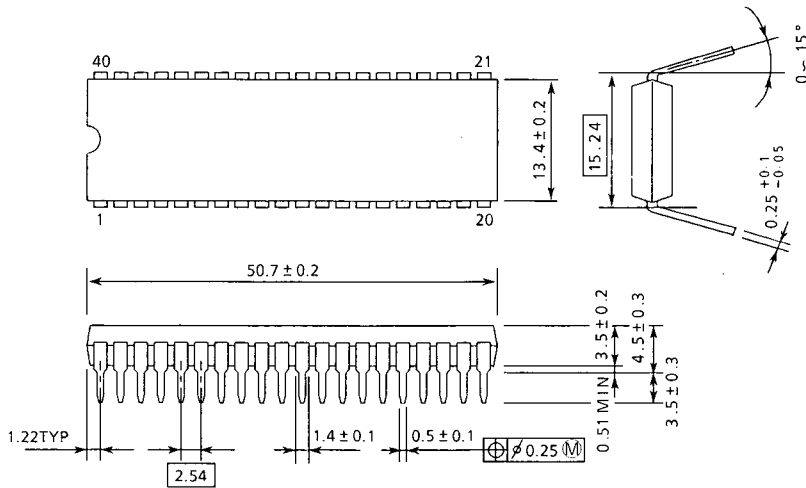
040989

7. OUTLINE DRAWING

7.1 Outline Drawing For TMP80C49AP/-6, TMP80C39AP/-6 (DIP: Dual Inline Package)

DIP40-P-600

Unit : mm

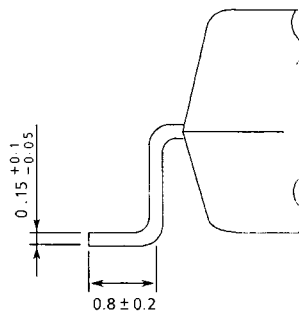
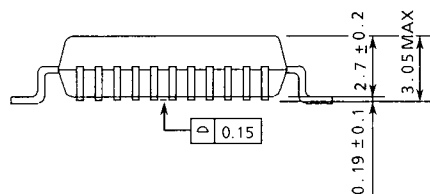
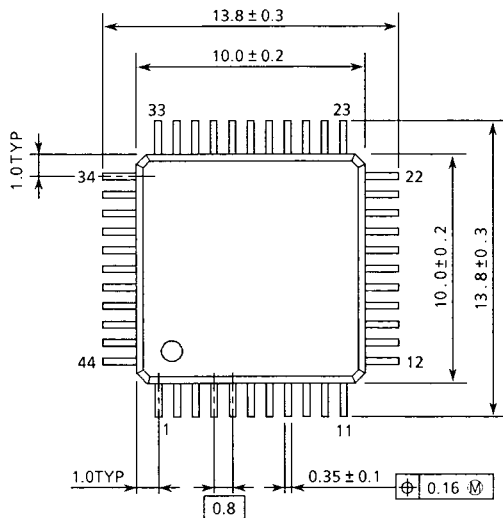


- Note:
1. This dimension is measured at the center of bending point of leads.
 2. Each lead pitch is 2.54mm, and all the leads are located within ± 0.25 mm from their theoretical positions with respect to No.1 and No.40 leads.

7.2 Outline Drawing For TMP80C49AU/-6
(Micro Flat Package)

QFP44-P-1010A

Unit : mm



- Note:
1. The above dimensions don't include the burr of package and the residue of tie-bar cut. The burr of package and the residue of tie-bar cut should be 0.15 mm (Max.).
 2. Applied to the lead flat portion.

270289

CMOS 8-BIT SINGLE-CHIP MICROCOMPUTER (TLCS-48C)

TMP80C50AP/TMP80C50AP-6
TMP80C40AP/TMP80C40AP-6
TMP80C50AU/TMP80C50AU-6

1. GENERAL DESCRIPTION AND FEATURES

The TMP80C50A is a single chip microcomputer fabricated in Silicon Gate CMOS technology which provides internal 8-bit parallel architecture.

The following basic architectural functions of a computer have been included in a single chip; an 8-bit CPU, 256×8 RAM data memory, $4K \times 8$ ROM program memory, 27 I/O lines and an 8-bit timer/event counter.

The TMP80C50A is particularly efficient as a controller. It has extensive bit handling capability as well as facilities for both binary and BCD arithmetic.

The TMP80C40A/-6 is the equivalent of a TMP80C50A/-6 without ROM program memory on chip. By using this device with external EPROM or RAM, software debugging becomes easy.

The TMP80C50AP/-6 and TMP80C40AP/-6 are in a standard Dual Inline Package.

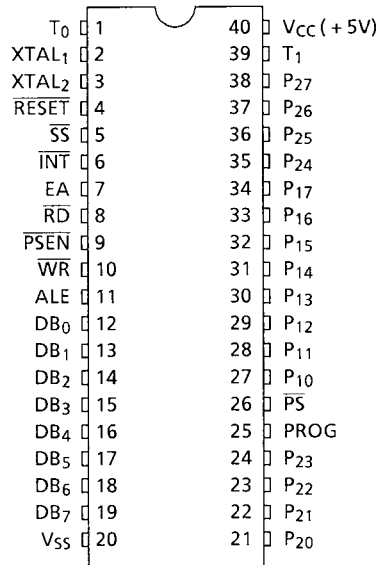
The TMP80C50AU/-6 is in a 44-pin Micro Flat Package.

FEATURES

- TMP80C50AP/TMP80C40AP/TMP80C50AU
1.36 μ s Instruction Cycle Time -40°C to 85°C , $5\text{V} \pm 10\%$
- TMP80C50AP-6/TMP80C40AP-6/TMP80C50AU-6
2.5 μ s Instruction Cycle Time -40°C to 85°C , $5\text{V} \pm 20\%$
- Software Upward Compatible with TMP8049AP/INTEL's 8049.
- $4K \times 8$ masked ROM / 256×8 RAM
- Low Power
10mA MAX. in Normal Operation ($V_{\text{CC}} = 5\text{V}$, $f_{\text{XTAL}} = 6\text{MHz}$)
10 μ A MAX. in Power Down Mode ($V_{\text{CC}} = 5\text{V}$, $f_{\text{XTAL}} : \text{DC}$)
- Power Down Mode (Stand-by Mode)
- Halt Mode (Idle Mode)

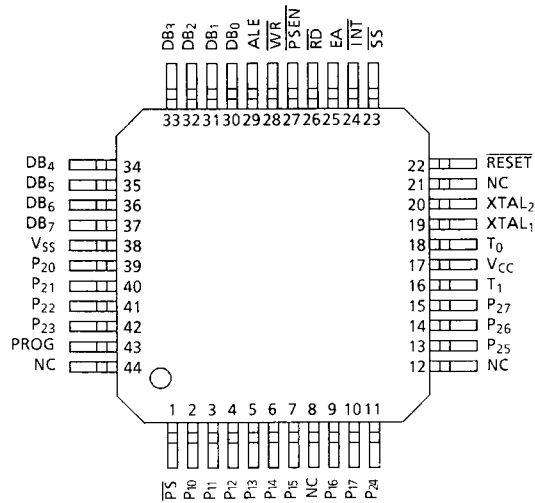
2. PIN CONNECTIONS AND PIN FUNCTIONS

2.1 Pin Connections (Top View)



040989

Figure 2.1 (1) DIP Pin Connections



040989

Figure 2.1 (2) Micro Flat Package Pin Connections

2.2 Pin Names And Pin Description

- V_{SS} (Power Supply)
Circuit GND potential
- V_{CC} (Power Supply)
+ 5V during operation
- \overline{PS} (Input)
The control signal for the power saving at the power down mode (Active Low)
- PROG (Output)
Output strobe for the TMP82C43P I/O expander.
- P₁₀-P₁₇ (Input/Output) Port1
8-bit quasi-bidirectional port (Internal Pullup≈50KΩ).
- P₂₀-P₂₇ (Input/Output) Port2
8-bit quasi-bidirectional port (Internal Pullup≈50KΩ).
P₂₀-P₂₃ contain the four high order program counter bits during an external program memory fetch and serve as a 4-bit I/O expander bus for the TMP82C43P.
- DB₀-DB₇ (Input/Output, Tri-State)
True bidirectional port which can be written or read synchronously using the \overline{RD} , \overline{WR} strobes. The port can also be statically latched. Contains the 8 low order program counter bits during an external program memory fetch, and receives the addressed instruction under the control of \overline{PSEN} .
Also contains the address and data during an external RAM data store instruction, under control of ALE, \overline{RD} , and \overline{WR} .
- T₀ (Input/Output)
Input pin testable using the conditional transfer instructions JTO and JNT0. T₀ can be designated as a clock output using ENT0 CLK instruction.
- T₁ (Input)
Input pin testable using the JT1 and JNT1 instruction. Can be designated the event counter input using the timer/STRT CNT instruction.
- \overline{INT} (Input)
External interrupt input. Initiates an interrupt if interrupt is enabled. Interrupt is disabled after a reset. Also testable with conditional jump instruction. (Active low)

- \overline{RD} (Output)

Output strobe activated during a Bus read. Can be used to enable data onto the Bus from an external device. Used as a Read Strobe to External Data Memory (Active Low).
- \overline{WR} (Output)

Output strobe during a Bus write (Active Low). Used as a Write Strobe to External Data Memory.
- \overline{RESET} (Input)

Active Low signal which is used to initialize the Processor. Also used during the power down mode.
- ALE (Output)

Address Latch Enable. This signal occurs once during each cycle and is useful as a clock output. The negative edge of ALE strobes address into external data and program memory.
- \overline{PSEN} (Output)

Program Store Enable. This output occurs only during a fetch to external program memory (Active Low).
- \overline{SS} (Input)

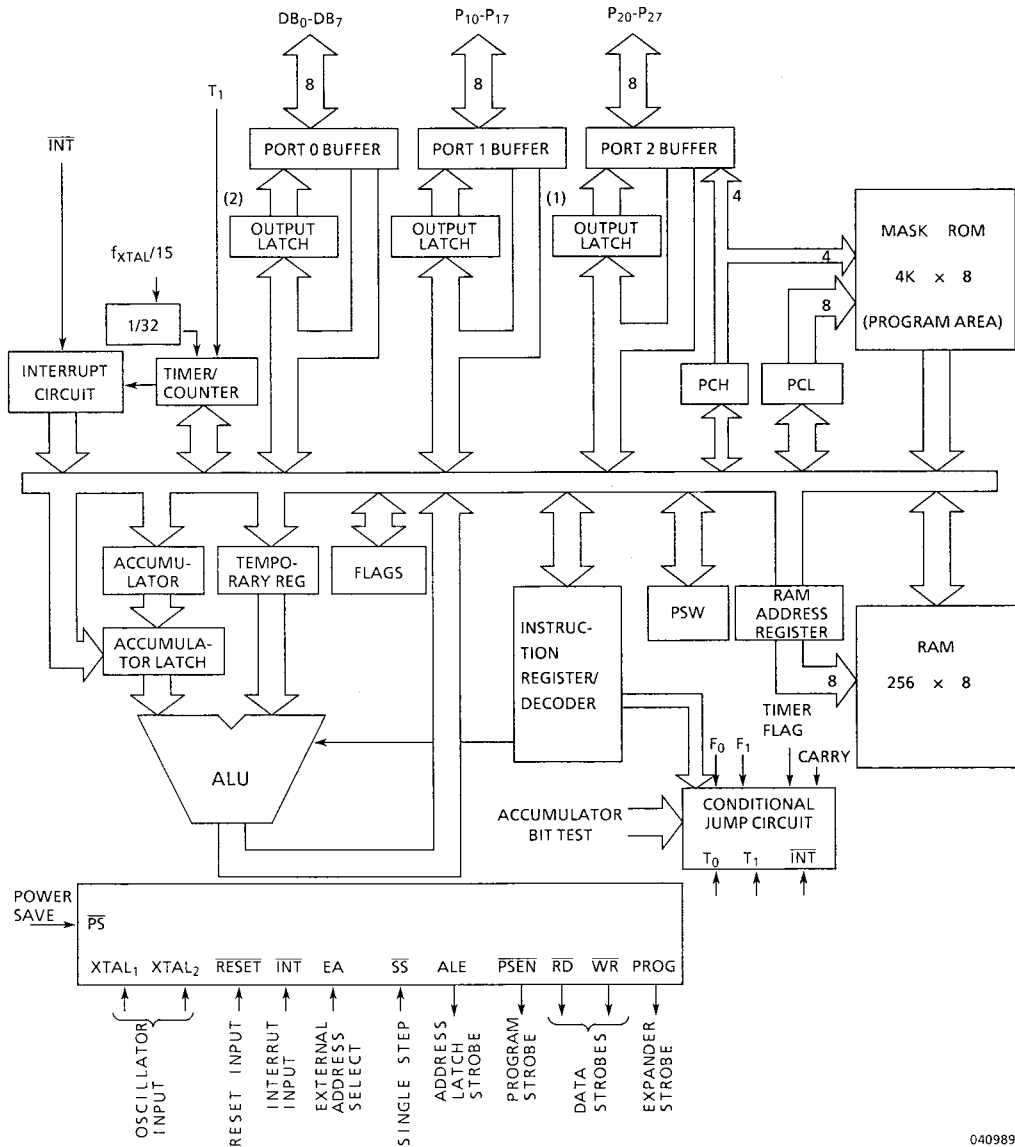
Single step input can be used in conjunction with ALE to “single step” processor through each instruction when \overline{SS} is low the CPU is placed into a wait state after it has completed the instruction being executed. Also used during the power down mode.
- EA (Input)

External Access input which forces all program memory fetches to reference external memory. Useful for emulation and debug and essential for testing and program verification. (Active High)
- XTAL₁ (Input)

One side of crystal input for internal oscillator. Also input for external source.
- XTAL₂ (Input)

Other side of crystal input.

2.3 Block Diagram



040989

Note 1 : The lower order 4 bit of port 2 output latch are used also for input/output operations with the I/O expander.

Note 2 : The output latch of port 0 is also used for address output.

Figure 2.3 Block Diagram

3. MACHINE INSTRUCTION

The following symbols and codes are used in the list of machine instruction.

Symbol	Meaning
Rr	Working register ($0 < r < 7$)
Pp	I/O port address P; ($0 < p < 7$)
JBb	Branch instruction in accordance with bit content (b) of operand
aH	Higher order 3 bits of a
aM	Medium order 4 bits of a
aL	Lower order 4 bits of a
aML	Medium order or lower order 8 bits of a
(a)	Content of a
[(a)]	Content of RAM addressed by a
EXT[(a)]	Content of external RAM addressed by a
PRO[(a)]	Content of ROM addressed by a
a<m>	Value at bit position m of a
a<m:n>	Value at bit position m to n of a
a←b	Store a into b
a↔b	Exchange a for b
.	Connection
\bar{a}	1 complement of a
a+b	a plus b (Addition)
a-b	a minus b (Subtraction)
a∧b	Logical AND for a and b
a∨b	Logical OR for a and b
a⊕b	Exclusive OR for a and b
a=b	a is equal to b
a<>b	a is not equal to b
(a) BCD	Converted value of accumulator

020989

List of TLCS-48 Machine Instruction (1/4)

ITEM	Assembler Mnemonic	Object Code (1st (2nd))		Function	Flag C, AC	Cycle
		Bin	Hex			
Accumulator Instruction	ADD A, Rr	01101rrr	68+r	(A)←(A)+(Rr) r=0~7	↑↑	1
	ADD A,@Rr	0110000r	60+r	(A)←(A)+[(Rr)] r=0,1	↑↑	1
	ADD A,#i	00000011	03	(A)←(A)+i	↑↑	2
		iiiiiii	ii			
	ADDC A, Rr	01111rrr	78+r	(A)←(A)+(Rr)+(c) r=0~7	↑↑	1
	ADDC A,@Rr	0111000r	70+r	(A)←(A)+[(Rr)]+(c) r=0,1	↑↑	1
	ADDC A,#i	00010011	13	(A)←(A)+i+(c)	↑↑	2
		iiiiiii	ii			
	ANL A, Rr	01011rrr	58+r	(A)←(A)^(Rr) r=0~7		1
	ANL A,@Rr	0101000r	50+r	(A)←(A)^[(Rr)] r=0,1		1
	ANL A,#i	01010011	53	(A)←(A)^i		2
		iiiiiii	ii			
	ORL A, Rr	01001rrr	48+r	(A)←(A)∨(Rr) r=0~7		1
	ORL A,@Rr	0100000r	40+r	(A)←(A)∨[(Rr)] r=0,1		1
	ORL A,#i	01000011	43	(A)←(A)∨i		2
		iiiiiii	ii			
	XRL A, Rr	11011rrr	D8+r	(A)←(A)∨(Rr) r=0~7		1
	XRL A,@Rr	1101000r	D0+r	(A)←(A)∨[(Rr)] r=0,1		1
	XRL A,#i	11010011	D3	(A)←(A)∨i		2
		iiiiiii	ii			
	INC A	00010111	17	(A)←(A)+1		1
	DEC A	00000111	07	(A)←(A)-1		1
	CLR A	00100111	27	(A)←0		1
	CPL A	00110111	37	(A)←NOT(A)		1
	DA A	01010111	57	(A)←(A)BCD	↑	1
	SWAP A	01000111	47	(A)<7:4> ↔ (A)<3:0>		1
RL A	11100111	E7	(A)<n+1> ←(A)<n> (A)<0> ←(A)<7> n=0~6		1	
RLC A	11110111	F7	(A)<n+1> ←(A)<n> (C)←(A)<7> (A)<0> ←(C) n=0~6	↑	1	
RR A	01110111	77	(A)<n> ←(A)<n+1> n=0~6 (A)<7> ←(A)<0>		1	
RRC A	01100111	67	(A)<n> ←(A)<n+1> n=0~6 (C)←(A)<0> (A)<7> ←(C)	↑	1	
I/O	IN A, Pp	000010pp	08+p	(A)←(Pp) P=1,2		2
	OUTL Pp, A	001110pp	38+p	(Pp) ←(A) P=1,2		2
	ANL Pp,#i	100110pp	98+p	(Pp) ←(Pp)^i P=1,2		2
		iiiiiii	ii			
ORL Pp,#i	100010pp	88+p	(Pp) ←(Pp)∨i P=1,2		2	
	iiiiiii	ii				

020989

List of TLCS-48 Machine Instruction (2/4)

ITEM	Assembler Mnemonic	Object Code (1st 2nd)		Function	Flag C, AC	Cycle
		Bin	Hex			
I/O	INS A, BUS	00001000	08	(A)←(BUS)		2
	OUTL BUS, A	00000010	02	(BUS)←(AC)		2
	ANL BUS, #i	10011000	98	(BUS)←(BUS) ∧ i		2
		iiiiiii	ii			
	ORL BUS, #i	10001000	88	(BUS)←(BUS) ∨ i		2
		iiiiiii	ii			
	MOVD A, Pp	000011pp	0C+p	(A)<3:0> ←(Pp) p=4~7 (A)<7:4> ←0		2
	MOVD Pp, A	001111pp	3C+p	(Pp) ←(A)<3:0> p=4~7		2
ANLD Pp, A	100111pp	9C+p	(Pp) ←(Pp)∧(A)<3:0> p=4~7		2	
ORLD Pp, A	100011pp	8C+p	(Pp) ←(Pp)∨(A)<3:0> p=4~7		2	
(1)	INC Rr	00011rrr	18+r	(Rr) ←(Rr)+1 r=0~7		1
	INC @Rr	0001000r	10+r	[(Rr)] ←[(Rr)]+1 r=0,1		1
	DEC Rr	11001rrr	C8+r	(Rr) ←(Rr)-1 r=0~7		1
Branch Instruction	JMP a	aH00100 aML	aH+4	(PC)<10:0> ←a (PC)<11> ←(DBF)		2
	JMPP @A	10110011	B3	(PC)<7:0>←PRO[(PC)<11:8>·(A)]		2
	DJNZ Rr, a	11101rrr aML	E8+r	(Rr) ←(Rr)-1 r=0~7 if(Rr) ≠0then(PC)<7:0>←aML else no operation		2
	JC a	11110110 aML	F6	if(C)=1 then(PC)<7:0>←aML else no operation		2
	JNC a	11100110 aML	E6	if(C)=0 then(PC)<7:0>←aML else no operation		2
	JZ a	11000110 aML	C6	if(A)=0 then(PC)<7:0>←aML else no operation		2
	JNZ a	10010110 aML	96	if(A)≠0 then(PC)<7:0>←aML else no operation		2
	JT0 a	00110110 aML	36	if T0=1 then(PC)<7:0>←aML else no operation		2
	JNT0 a	00100110 aML	26	if T0=0 then(PC)<7:0>←aML else no operation		2
	JT1 a	01010110 aML	56	if T1=1 then(PC)<7:0>←aML else no operation		2
	JNT1 a	01000110 aML	46	if T1=0 then(PC)<7:0>←aML else no operation		2
	JF0 a	10110110 aML	B6	if F0=1 then(PC)<7:0>←aML else no operation		2
	JF1 a	01110110 aML	76	if F1=1 then(PC)<7:0>←aML else no operation		2
	JTF a	00010110 aML	16	if TF=1 then(PC)<7:0>←aML else no operation		2

(1) Register Instruction

020989

List of TLCS-48 Machine Instruction (3/4)

ITEM	Assembler Mnemonic		Object Code (1st 2nd)		Function	Flag C, AC	Cycle
			Bin	Hex			
(2)	JNI a		10000110 aML	86	if INT =0 then(PC)<7:0>←aML else no operation		2
	JBb a		bbb10010 aML	b+12	if (A)=1 then (PC)<7:0>←aML else no operation b=0~7		2
(3)	CALL a		aH10100 aML	aH+14	[(SP)] ←(PSW)<7:4>·(PC) (SP) ←(SP)+1 (PC)<10:0> ←a (PC)<11> ←(DBF)		2
	RET		10000011	83	(SP)←(SP)-1 (PC) ←[(SP)]<11:0>		2
	RETR		10010011	93	(SP)←(SP)-1 (PC) ←[(SP)]<11:0> (PSW)<7:4> ←[(SP)]<15:12>	↑ ↓	2
(4)	CLR C		10010111	97	(C)←0		1
	CPL C		10100111	A7	(C)←NOT(C)		1
	CLR F0		10000101	85	(F0) ←0		1
	CPL F0		10010101	95	(F0) ←NOT(F0)		1
	CLR F1		10100101	A5	(F1) ←0		1
	CPL F1		10110101	B5	(F1) ←NOT(F1)		1
Move Instruction	MOV A , Rr		11111rrr	F8+r	(A)←(Rr) r=0~7		1
	MOV A ,@Rr		1111000r	F0+r	(A)←[(Rr)] r=0,1		1
	MOV A ,#i		00100011 iiiiiiii	23 ii	(A) ←i		2
	MOV Rr , A		10101rrr	A8+r	(Rr)←(A) r=0~7		1
	MOV @Rr , A		1010000r	A0+r	[(Rr)]←(A) r=0,1		1
	MOV Rr ,#i		10111rrr iiiiiiii	B8+r ii	(Rr)←i r=0~7		2
	MOV @Rr ,#i		1011000r iiiiiiii	B0+r ii	[(Rr)]←i r=0,1		2
	MOV A ,PSW		11000111	C7	(A) ←(PSW)		1
	MOV PSW ,A		11010111	D7	(PSW) ←(A)		1
	XCH A ,Rr		00101rrr	28+r	(A) ↔(Rr) r=0~7		1
	XCH A ,@Rr		0010000r	20+r	(A) ↔[(Rr)] r=0,1		1
	XCHD A ,@Rr		0011000r	30+r	(A)<3:0>↔[(Rr)<3:0>] r=0,1		1
	MOVX @Rr ,A		1001000r	90+r	EXT[(Rr)] ←(A) r=0,1		1
	MOVX A ,@Rr		1000000r	80+r	(A) ←EXT[(Rr)] r=0,1		1
	MOVP A ,@A		10100011	A3	(A) ←PRO[(PC)<11:8>·(A)]		1
MOVP3 A ,@A		11100011	E3	(A) ←PRO[(PC)<11>·011·(A)]		1	

(2) Branch Instruction (3) Subroutine Instruction
 (4) Flag Instruction

020989

List of TLCS-48 Machine Instruction (4/4)

I-ITEM	Assembler Mnemonic	Object Code (1st 2nd)		Function	Flag C, AC	Cycle
		Bin	Hex			
Timer Counter	MOV A, T	01000010	42	(A) ←(TR)		1
	MOV T, A	01100010	62	(TR)←(A)		1
	STRT T	01010101	55	Start Timer		1
	STRT CNT	01000101	45	Start Counter		1
	STOP TCNT	01100101	65	Stop Timer/Counter		1
	EN TCNTI	00100101	25	Enable Timer/Counter Interrupt		1
	DIS TCNTI	00110101	35	Disable Timer/Counter Interrupt		1
Control	EN I	00000101	05	Enable External Interrupt		1
	DIS I	00010101	15	Disable External Interrupt		1
	SEL RBO	11000101	C5	(BS)← 0		1
	SEL RB1	11010101	D5	(BS)← 1		1
	SEL MBO	11100101	E5	(DBF) ← 0		1
	SEL MB1	11110101	F5	(DBF) ← 1		1
	ENT0 CLK	01110101	75	Enable Clock Output on To		1
HALT	00000001	01	Halt		1	
(5)	NOP	00000000	00	no operation		1

(5) Other

020989

4. ELECTRICAL CHARACTERISTICS

4.1 Absolute Maximum ratings

TMP80C50AP/C40AP/C50AU

SYMBOL	ITEM	RATING
V _{CC}	V _{CC} Supply Voltage (with respect to GND (V _{SS}))	-0.5V to +7V
V _{INA}	Input Voltage (Except EA)	-0.5V to V _{CC} + 0.5V
V _{INB}	Input Voltage (Only EA)	-0.5V to 13V
P _D	Power Dissipation (T _a = 85°C)	250mW
T _{SOLDER}	Soldering Temperature (Soldering Timer 10 sec)	260°C
T _{STG}	Storage Temperature	-65°C to 150°C
T _{OPR}	Operating Temperature	-40°C to 85°C

040989

4.2 DC Characteristics

TMP80C50AP/C40AP/C50AU

T_{OPR} = -40°C to 85°C, V_{CC} = +5V ± 10%, V_{SS} = 0V, unless otherwise noted.

SYMBOL	PARAMETER	TEST CONDITIONS	MIN.	TYP.	MAX.	UNIT	
V _{IL}	Input Low Voltage (Except XTAL ₁ , XTAL ₂ , RESET)		-0.5	—	0.8	V	
V _{IL1}	Input Low Voltage (XTAL ₁ , XTAL ₂ , RESET)		-0.5	—	0.6	V	
V _{IH}	Input High Voltage (Except XTAL ₁ , XTAL ₂ , RESET, PS)		2.2	—	V _{CC}	V	
V _{IH1}	Input High Voltage (XTAL ₁ , XTAL ₂ , RESET, PS)		0.7 × V _{CC}	—	V _{CC}	V	
V _{OL}	Output Low Voltage (Except P ₁₀ -P ₁₇ , P ₂₀ -P ₂₇)	I _{OL} = 1.6mA	—	—	0.45	V	
V _{OL1}	Output Low Voltage (P ₁₀ -P ₁₇ , P ₂₀ -P ₂₇)	I _{OL} = 1.2mA	—	—	0.45	V	
V _{OH11}	Output High Voltage (Except P ₁₀ -P ₁₇ , P ₂₀ -P ₂₇)	I _{OH} = -1.6mA	2.4	—	—	V	
V _{OH12}	Output High Voltage (Except P ₁₀ -P ₁₇ , P ₂₀ -P ₂₇)	I _{OH} = -400μA	V _{CC} - 0.8	—	—	V	
V _{OH21}	Output High Voltage (P ₁₀ -P ₁₇ , P ₂₀ -P ₂₇)	I _{OH} = -50μA	2.4	—	—	V	
V _{OH22}	Output High Voltage (P ₁₀ -P ₁₇ , P ₂₀ -P ₂₇)	I _{OH} = -25μA	V _{CC} - 0.8	—	—	V	
ILI	Input Leak Current (T ₁ , INT, EA, PS)	V _{SS} ≤ V _{IN} ≤ V _{CC}	—	—	± 10	μA	
ILI1	Input Leak Current (SS, RESET)	V _{SS} ≤ V _{IN} ≤ V _{CC}	—	—	-50	μA	
ILI2	Input Leak Current (P ₁₀ -P ₁₇ , P ₂₀ -P ₂₇)	V _{SS} + 0.45V ≤ V _{IN} ≤ V _{CC}	—	—	-500	μA	
ILO	Output Leak Current (BUS, T ₀) (High impedance condition)	V _{SS} + 0.45V ≤ V _{IN} ≤ V _{CC}	—	—	± 10	μA	
ICC1	V _{CC} Supply Current	Normal operation	V _{CC} = 5V, f _{XTAL} = 6MHz V _{IH} = V _{CC} - 0.2V V _{IL} = 0.2V	—	—	10	mA
ICCH1		HALT Mode	V _{CC} = 5V, f _{XTAL} = 11MHz V _{IH} = V _{CC} - 0.2V V _{IL} = 0.2V	—	—	2.5	
ICC2	V _{CC} Supply Current	Normal operation	V _{CC} = 5V, f _{XTAL} = 11MHz V _{IH} = V _{CC} - 0.2V V _{IL} = 0.2V	—	—	15	mA
ICCH2		HALT Mode	V _{CC} = 5V, f _{XTAL} = 11MHz V _{IH} = V _{CC} - 0.2V V _{IL} = 0.2V	—	—	4.0	

040989

4.3 AC Characteristics

TMP80C50AP/C40AP/C50AU

T_{OPR} = -40°C to 85°C, VCC = +5V ± 10%, VSS = 0V, unless otherwise noted.

SYMBOL	PARAMETER	TEST CONDITION	f (t)	11MHz		UNIT
				MIN.	MAX.	
t	Clock Period	Note 2	1/xtal f	90.9	1000	ns
t _{LL}	ALE Pulse Width		3.5t - 170	150	-	ns
t _{AL}	Address Setup Time (ALE)		2t - 110	70	-	ns
t _{LA}	Address Hold Time (ALE)	CL = 20pF	t - 40	50	-	ns
t _{CC1}	Control Pulse Width (RD, WR)		7.5t - 200	480	-	ns
t _{CC2}	Control Pulse Width (PSEN)		6t - 200	350	-	ns
t _{DW}	Data Setup Time (WR)		6.5t - 200	390	-	ns
t _{WD}	Data Hold Time (WR)	CL = 20pF	t - 50	40	-	ns
t _{DR}	Data Hold Time (RD, PSEN)	CL = 20pF	1.5t - 30	0	110	ns
t _{RD1}	Data Input Read Time (RD)		5.5t - 120	-	375	ns
t _{RD2}	Data Input Read Time (PSEN)		4t - 120	-	240	ns
t _{AW}	Address Setup Time (WR)		5t - 150	300	-	ns
t _{AD1}	Address Setup Time (RD)		10t - 170	-	730	ns
t _{AD2}	Address Setup Time (PSEN)		7t - 170	-	460	ns
t _{AFC1}	Address Float Time (RD, WR)	CL = 20pF	2t - 40	140	-	ns
t _{AFC2}	Address Float Time (PSEN)	CL = 20pF	0.5t - 40	10	-	ns
t _{L AFC1}	ALE to Control Time (RD, WR)		3t - 75	200	-	ns
t _{L AFC2}	ALE to Control Time (PSEN)		1.5t - 75	60	-	ns
t _{CA1}	Control to ALE Time (RD, WR, PROG)		t - 65	25	-	ns
t _{CA2}	Control to ALE Time (PSEN)		4t - 70	290	-	ns

040989

AC Characteristics (Continue)

$T_{OPR} = -40^{\circ}\text{C to }85^{\circ}\text{C}$, $V_{CC} = +5\text{V} \pm 10\%$, $V_{SS} = 0\text{V}$, unless otherwise noted.

SYMBOL	PARAMETER	TEST CONDITION	f (t)	11MHz		UNIT
				MIN.	MAX.	
t_{CP}	Port Control Setup Time (PROG)		1.5t – 80	50	–	ns
t_{PC}	Port Control Hold Time (PROG)		4t – 260	100	–	ns
t_{PR}	Port 2 Input Data Setup Time (PROG)		8.5t – 120	–	650	ns
t_{PF}	Port 2 Input Data Hold Time (PROG)		1.5t	0	140	ns
t_{DP}	Port 2 Output Data Setup Time (PROG)		6t – 290	250	–	ns
t_{PD}	Port 2 Output Data Hold Time (PROG)		1.5t – 90	40	–	ns
t_{PP}	PROG Pulse Width		10.5t – 250	700	–	ns
t_{PL}	Port 2 I/O Data Setup Time (ALE)		4t – 200	160	–	ns
t_{LP}	Port 2 I/O Data Hold Time (ALE)		0.5t – 30	15	–	ns
t_{PV}	Port Output Delay Time (ALE)		4.5t + 100	–	510	ns
t_{OPRR}	T_0 Clock Period		3t	270	–	ns
t_{CY}	Cycle Time		15t	1.36	15.0	ns

040989

- Note : 1. Control Output $CL = 80\text{pF}$. BUS Output $CL = 150\text{pF}$.
 2. The f (t) assumes 50% duty cycle on XTAL₁ and XTAL₂.
 The Max. Clock frequency is 11MHz. and the Min. Clock frequency is 1MHz.

4.4 Absolute Maximum Ratings

TMP80C50AP-6/TMP80C40AP-6/TMP80C50AU-6

SYMBOL	ITEM	RATING
V _{CC}	V _{CC} Supply Voltage (with respect to GND (V _{SS}))	- 0.5V to + 7V
V _{INA}	Input Voltage (Except EA)	- 0.5V to V _{CC} + 0.5V
V _{INB}	Input Voltage (Only EA)	- 0.5V to 13V
P _D	Power Dissipation (T _a = 85°C)	250mW
T _{SD}	Soldering Temperature (Soldering Timer 10 sec)	260°C
T _{STG}	Storage Temperature	- 65°C to 150°C
T _{OPR}	Operating Temperature	- 40°C to 85°C

040989

4.5 DC Characteristics (I)

TMP80C50AP-6/TMP80C40AP-6/TMP80C50AU-6

T_{OPR} = -40°C to 85°C, V_{CC} = +5V ± 10%, V_{SS} = 0V, unless otherwise noted

SYMBOL	PARAMETER		TEST CONDITIONS	MIN.	TYP.	MAX.	UNIT
V _{IL}	Input Low Voltage			- 0.5	—	0.8	V
V _{IH}	Input High Voltage (Except XTAL ₁ , XTAL ₂ , RESET, PS)			2.2	—	V _{CC}	V
V _{IH1}	Input High Voltage (XTAL ₁ , XTAL ₂ , RESET, PS)			0.7 x V _{CC}	—	V _{CC}	V
V _{OL}	Output Low Voltage (Except P ₁₀ -P ₁₇ , P ₂₀ -P ₂₇)		I _{OL} = 1.6mA	—	—	0.45	V
V _{OL1}	Output Low Voltage (P ₁₀ -P ₁₇ , P ₂₀ -P ₂₇)		I _{OL} = 1.2mA	—	—	0.45	V
V _{OH11}	Output High Voltage (Except P ₁₀ -P ₁₇ , P ₂₀ -P ₂₇)		I _{OH} = - 1.6mA	2.4	—	—	V
V _{OH12}	Output High Voltage (P ₁₀ -P ₁₇ , P ₂₀ -P ₂₇)		I _{OH} = - 400μA	V _{CC} - 0.8	—	—	V
V _{OH21}	Output High Voltage (P ₁₀ -P ₁₇ , P ₂₀ -P ₂₇)		I _{OH} = - 50μA	2.4	—	—	V
V _{OH22}	Output High Voltage (P ₁₀ -P ₁₇ , P ₂₀ -P ₂₇)		I _{OH} = - 25μA	V _{CC} - 0.8	—	—	V
I _{LI}	Input Leak Current (T ₁ , INT, EA, PS)		V _{SS} ≅ V _{IN} ≅ V _{CC}	—	—	± 10	μA
I _{LI1}	Input Leak Current (SS, RESET)		V _{SS} ≅ V _{IN} ≅ V _{CC}	—	—	- 50	μA
I _{LI2}	Input Leak Current (P ₁₀ -P ₁₇ , P ₂₀ -P ₂₇)		V _{SS} + 0.45V ≅ V _{IN} ≅ V _{CC}	—	—	- 500	μA
I _{LO}	Output Leak Current (BUS, T ₀) (High impedance condition)		V _{SS} + 0.45V ≅ V _{IN} ≅ V _{CC}	—	—	± 10	μA
I _{CC1}	V _{CC} Supply Current	Normal operation	V _{CC} = 5V, f _{XTAL} = 6MHz	—	—	10	mA
I _{CC1}		HALT Mode	V _{IH} = V _{CC} - 0.2V V _{IL} = 0.2V	—	—	2.5	

040989

4.6 DC Characteristics (II)

TMP80C50AP-6/TMP80C40AP-6/TMP80C50AU-6
 $T_{OPR} = -40^{\circ}\text{C}$ to 85°C , $V_{CC} = +5\text{V} \pm 20\%$, $V_{SS} = 0\text{V}$, unless otherwise noted.

SYMBOL	PARAMETER		TEST CONDITIONS	MIN.	TYP.	MAX.	UNIT
VIL	Input Low Voltage			-0.5	—	$0.15 \times V_{CC}$	V
VIH	Input High Voltage (Except XTAL ₁ , XTAL ₂ , RESET, PS)			$0.5 \times V_{CC}$	—	V_{CC}	V
VIH1	Input High Voltage (XTAL ₁ , XTAL ₂ , RESET, PS)			$0.7 \times V_{CC}$	—	V_{CC}	V
VOL	Output Low Voltage (Except P ₁₀ -P ₁₇ , P ₂₀ -P ₂₇)		IOL = 1.6mA	—	—	0.45	V
VOL1	Output Low Voltage (P ₁₀ -P ₁₇ , P ₂₀ -P ₂₇)		IOL = 1.2mA	—	—	0.45	V
VOH12	Output High Voltage (Except P ₁₀ -P ₁₇ , P ₂₀ -P ₂₇)		IOH = -400μA	$V_{CC} - 0.8$	—	—	V
VOH22	Output High Voltage (P ₁₀ -P ₁₇ , P ₂₀ -P ₂₇)		IOH = -25μA	$V_{CC} - 0.8$	—	—	V
ILI	Input Leak Current (T ₁ , INT, EA, PS)		$V_{SS} \leq V_{IN} \leq V_{CC}$	—	—	±10	μA
ILI1	Input Leak Current (SS, RESET)		$V_{SS} \leq V_{IN} \leq V_{CC}$	—	—	$\frac{-V_{CC}}{0.1}$	μA
ILI2	Input Leak Current (P ₁₀ -P ₁₇ , P ₂₀ -P ₂₇)		$V_{SS} + 0.45\text{V} \leq V_{IN} \leq V_{CC}$	—	—	$\frac{-V_{CC}}{0.01}$	μA
ILO	Output Leak Current (BUS, T ₀) (High impedance condition)		$V_{SS} + 0.45\text{V} \leq V_{IN} \leq V_{CC}$	—	—	±10	μA
ICC1	V _{CC} Supply Current	Normal operation	$V_{CC} = 5\text{V}$, $f_{XTAL} = 6\text{MHz}$	—	—	10	mA
ICCH1		HALT Mode	$V_{IH} = V_{CC} - 0.2\text{V}$ $V_{IL} = 0.2\text{V}$	—	—	2.5	

040989

4.7 AC Characteristics

TMP80C50AP-6/TMP80C40AP-6/TMP80C50AU-6
 $T_{OPR} = -40^{\circ}\text{C}$ to 85°C , $V_{CC} = +5\text{V} \pm 20\%$, $V_{SS} = 0\text{V}$, unless otherwise noted.

SYMBOL	PARAMETER	TEST CONDITION	f (t)	6MHz		UNIT
				MIN.	MAX.	
t	Clock Period	Note 2	1/xtal f	166.6	1000	ns
t _{LL}	ALE Pulse Width		3.5t - 170	410	-	ns
t _{AL}	Address Setup Time (ALE)		2t - 110	220	-	ns
t _{LA}	Address Hold Time (ALE)	CL = 20pF	t - 40	120	-	ns
t _{CC1}	Control Pulse Width (RD, WR)		7.5t - 200	1050	-	ns
t _{CC2}	Control Pulse Width (PSEN)		6t - 200	800	-	ns
t _{DW}	Data Setup Time (WR)		6.5t - 200	880	-	ns
t _{WD}	Data Hold Time (WR)	CL = 20pF	t - 50	120		ns
t _{DR}	Data Hold Time (RD, PSEN)	CL = 20pF	1.5t - 30	0	220	ns
t _{RD1}	Data Input Read Time (RD)		5.5t - 120	-	800	ns
t _{RD2}	Data Input Read Time (PSEN)		4t - 120	-	550	ns
t _{AW}	Address Setup Time (WR)		5t - 150	680	-	ns
t _{AD1}	Address Setup Time (RD)		10t - 170	-	1500	ns
t _{AD2}	Address Setup Time (PSEN)		7t - 170	-	1000	ns
t _{AFC1}	Address Float Time (RD, WR)	CL = 20pF	2t - 40	290	-	ns
t _{AFC2}	Address Float Time (PSEN)	CL = 20pF	0.5t - 40	40	-	ns
t _{LAFC1}	ALE to Control Time (RD, WR)		3t - 75	420	-	ns
t _{LAFC2}	ALE to Control Time (PSEN)		1.5t - 75	175	-	ns
t _{CA1}	Control to ALE Time (RD, WR PROG)		t - 65	100	-	ns
t _{CA2}	Control to ALE Time (PSEN)		4t - 70	590	-	ns

040989

AC Characteristics (Continue)

$T_{OPR} = -40^{\circ}\text{C}$ to 85°C , $V_{CC} = +5\text{V} \pm 20\%$, $V_{SS} = 0\text{V}$, unless otherwise noted.

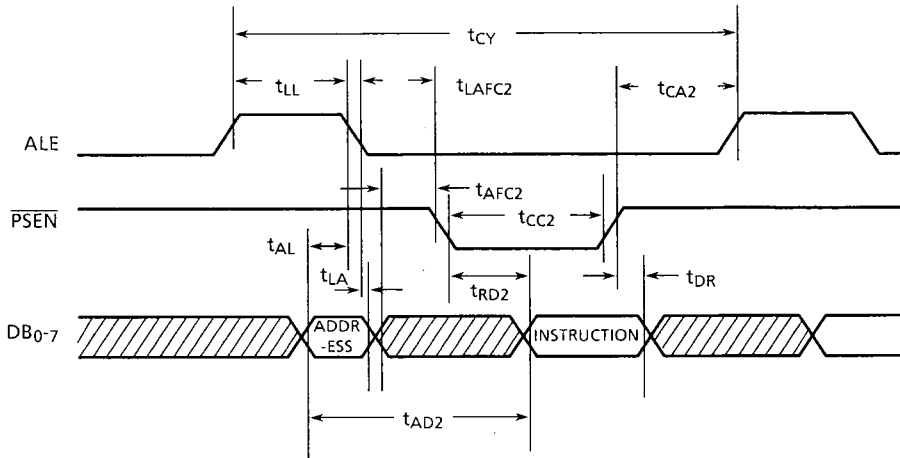
SYMBOL	PARAMETER	TEST CONDITION	f (t)	6MHz		UNIT
				MIN.	MAX.	
t_{CP}	Port Control Setup Time (PROG)		1.5t – 80	170	–	ns
t_{PC}	Port Control Hold Time (PROG)		4t – 260	400	–	ns
t_{PR}	Port 2 Input Data Setup Time (PROG)		8.5t – 120	–	1290	ns
t_{PF}	Port 2 Input Data Hold Time (PROG)		1.5t	0	250	ns
t_{DP}	Port 2 Output Data Setup Time (PROG)		6t – 290	710	–	ns
t_{PD}	Port 2 Output Data Hold Time (PROG)		1.5t – 90	160	–	ns
t_{PP}	PROG Pulse Width		10.5t – 250	1500	–	ns
t_{PL}	Port 2 I/O Data Setup Time (ALE)		4t – 200	460	–	ns
t_{LP}	Port 2 I/O Data Hold Time (ALE)		0.5t – 30	130	–	ns
t_{PV}	Port Output Delay Time (ALE)		4.5t + 100	–	850	ns
t_{OPRR}	T_0 Clock Period		3t	500	–	ns
t_{CY}	Cycle Time		15t	2.5	15.0	ns

040989

- Note : 1. Control Output $CL = 80\text{pF}$. BUS Output $CL = 150\text{pF}$.
 2. The f (t) assumes 50% duty cycle on $XTAL_1$ and $XTAL_2$.
 The Max. Clock frequency is 11MHz. and the Min. Clock frequency is 1MHz.

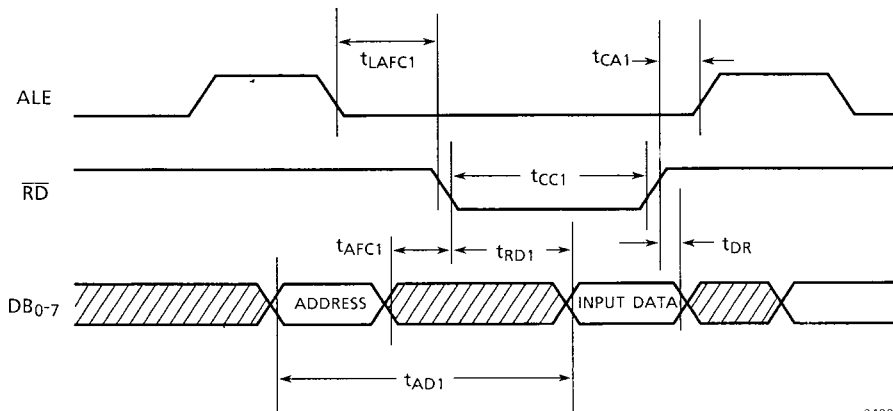
4.8 Timing Waveform

A. Instruction Fetch from External Program Memory



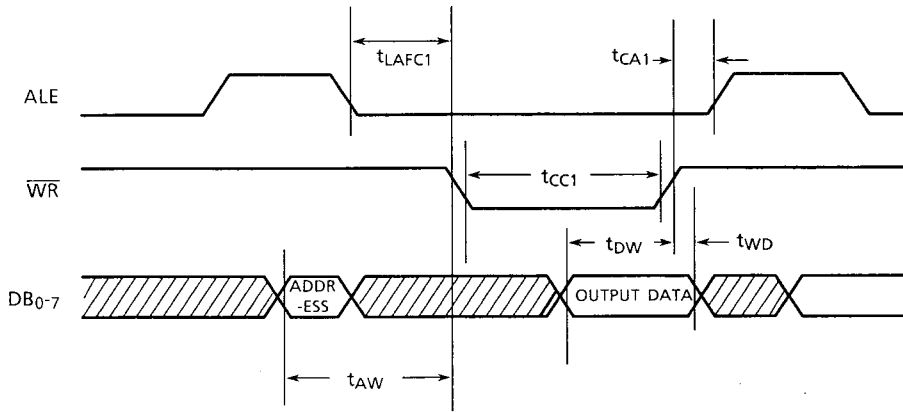
040989

B. Read from External Data Memory



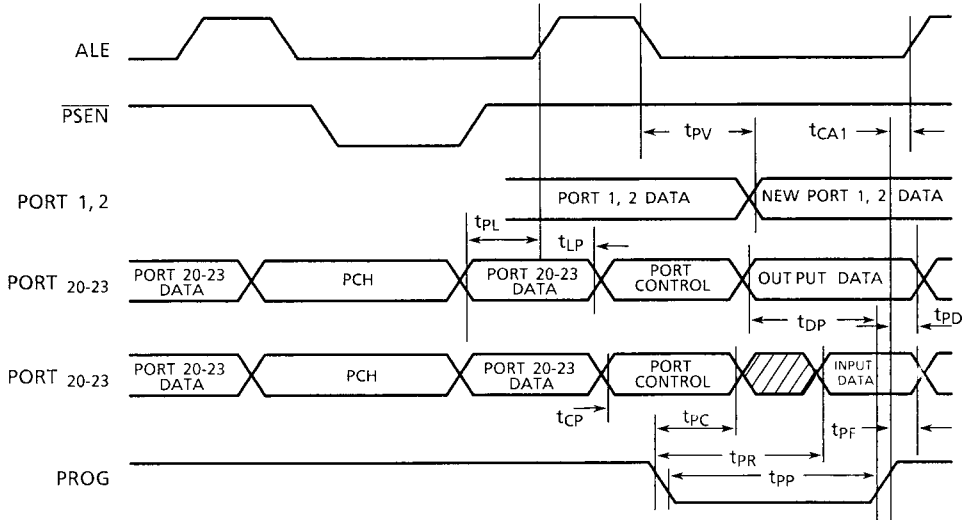
040989

C. Write into External Data Memory



040989

D. Timing of Port 2 during Expander Instruction Execution



040989

4.9 Stand-By Function

4.9.1 Power Down Mode (I) Data Hold Mode in RAM

The operation of oscillation circuit is suspended by setting \overline{PS} terminal to low level after \overline{RESET} terminal has been set to low level. Consequently, all the data in RAM area can be held in low power consumption.

The minimum hold voltage of V_{CC} in this mode is 2V.

\overline{PS} terminal is set to high level to resume oscillation after V_{CC} has been reset to 5V, and then \overline{RESET} terminal is set to high level, thus, the normal mode is restarted from the initialize operation (address 0).

(1) DC Characteristics

TMP80C50AP/C40AP/C50AU : $T_{OPR} = -40^{\circ}C$ to $85^{\circ}C$, $V_{SS} = 0V$
 TMP80C50AP-6/C40AP-6/C50AU-6

SYMBOL	PARAMETER	TEST CONDITION	MIN.	TYP.	MAX.	UNIT
VSB1	Standby Voltage (1)		2.0	—	6.0	V
ISB1	Standby Current (1)	$V_{CC} = 5V, V_{IH} = V_{CC} - 0.2V, V_{IL} = 0.2V$	—	0.5	10	μA

040989

(2) AC Characteristics

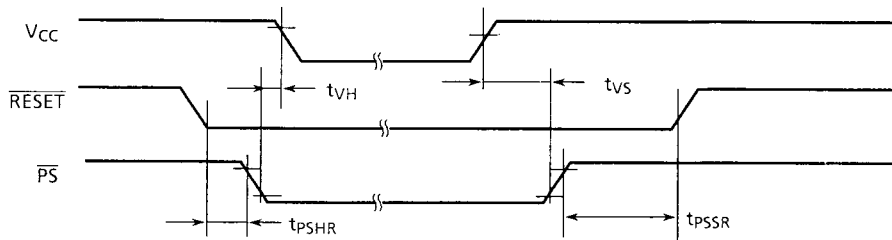
TMP80C50AP/C40AP/C50AU : $V_{CC} = 5V \pm 10\%$, $V_{SS} = 0V$
 TMP80C50AP-6/C40AP-6/C50AU-6 : $V_{CC} = 5V \pm 20\%$, $V_{SS} = 0V$

SYMBOL	PARAMETER	TEST CONDITION	MIN.	TYP.	MAX.	UNIT
t_{PSHR}	Power Save Hold Time (\overline{RESET})		10	—	—	μs
t_{PSSR}	Power Save Setup Time (\overline{RESET})		10	—	—	ms
t_{VH}	V_{CC} Hold Time (\overline{PS})		5	—	—	μs
t_{VS}	V_{CC} Setup Time (\overline{PS})		5	—	—	μs

040989

Note : $t_{CY} = 2.5\mu s$ ($f_{XTAL} = 6MHz$)

(3) Timing Waveform



040989

4.9.3 HALT MODE

(1) HALT INSTRUCTION

OP code is "01H". HALT INSTRUCTION is an additional instruction to the standard 8048/8049 instruction set.

(2) Entry to HALT MODE

On the execution of HALT INSTRUCTION, TMP80C50A/TMP80C40A enter HALT MODE.

(3) Status in HALT MODE

The oscillator continues its operation, however, the internal clocks and internal logic values just prior to the execution of HALT INSTRUCTION are maintained. Power consumption in HALT MODE is less than 50% of normal operation. The status of each pins are described in the following table.

(4) Release from HALT MODE

HALT MODE is released by either of two signals ($\overline{\text{RESET}}$, $\overline{\text{INT}}$).

(4.1) $\overline{\text{RESET}}$ Release Mode : An active $\overline{\text{RESET}}$ input signal causes the normal reset function. TMP80C50A/TMP80C40A start the program at address "000 H".

(4.2) $\overline{\text{INT}}$ Release Mode : An active $\overline{\text{INT}}$ input signal causes the normal operation.

- In case of interrupt enable mode (EI MODE), TMP80C50A/TMP80C40A execute the interrupt service routine, after the execution of one instruction which is located at the next address after HALT INSTRUCTION.
- In case of interrupt disable mode (DI MODE), TMP80C50A/TMP80C40A execute normal operation from the next address after HALT INSTRUCTION.

(5) Supply Voltage Range in HALT MODE

The operating supply voltage range and the operating temperature range are same as in normal operation.

TMP80C50AP/C40AP/C50AU : $V_{CC}=5V \pm 10\%$

TMP80C50AP-6/C40AP-6/C50AU-6 : $V_{CC}=5V \pm 20\%$

4.9.4 Pin Status In Power Down Mode (I) (II)

PIN NAME	STATUS
DB ₀ ~DB ₇	High impedance Input disabled
P ₁₀ ~P ₁₇	
P ₂₀ ~P ₂₇	
T ₀	High Impedance, input disabled
T ₁	Input disabled
XTAL ₁	High impedance
XTAL ₂	Output "High" level
RESET, SS	Input disabled when oscillator is stopped. Pull-up transistors turn off.
INT, EA	Input disabled when oscillator is stopped.
RD, WR, ALE PROG, PSEN	High impedance

040989

4.9.5 Pin Status In HALT MODE

PIN NAME	STATUS
DB ₀ ~DB ₇	Values prior to the execution of HALT INSTRUCTION are maintained.
P ₁₀ ~P ₁₇	
P ₂₀ ~P ₂₇	
T ₀	Status prior to the execution of HALT INSTRUCTION is maintained.
T ₁	Input disabled
XTAL ₁ , XTAL ₂	Continue oscillation
RESET, INT	Input enabled
SS, EA	Input disabled
RD, WR, PROG, PSEN	Output "High" level
ALE	Output "Low" level

040989

5. OSCILLATOR

QUARTZ CRYSTAL

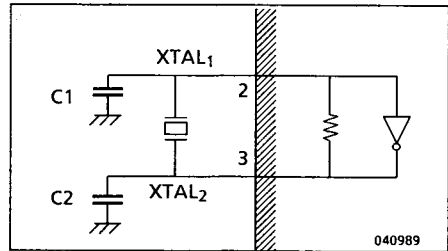
f = 1MHz to 4MHz : C1 = C2 = 30pF

f = 4MHz to 11MHz : C1 = C2 = 20pF

CERAMIC RESONATOR

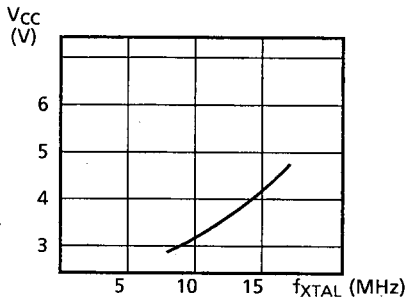
f = 1MHz to 3MHz : C1 = C2 = 100pF

f = 3MHz to 11MHz : C1 = C2 = 30PF

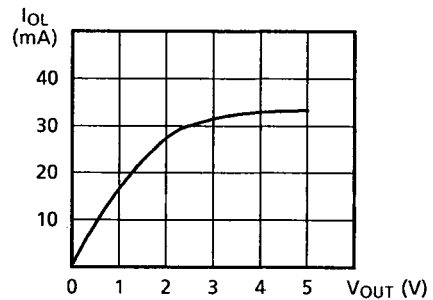


6. TYPICAL CHARACTERISTICS

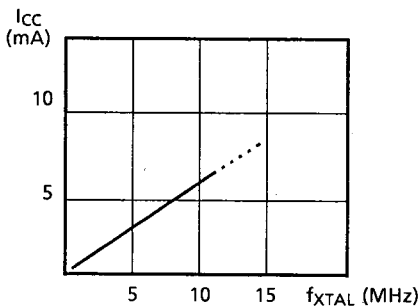
V_{CC} = 5V, T_a = 25°C, unless otherwise noted.



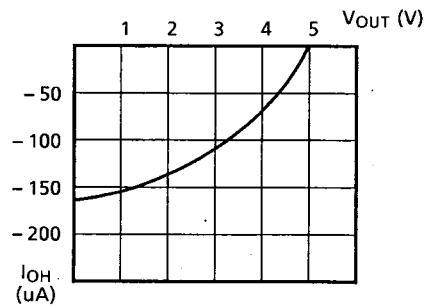
V_{CC}-f_{MAX} TYPICAL CURVE



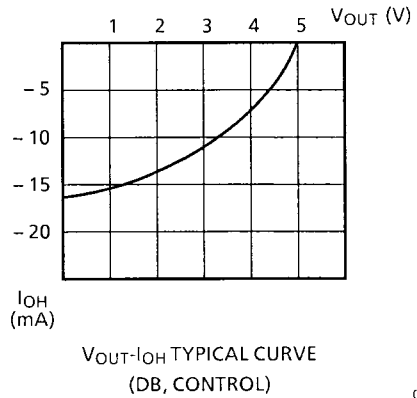
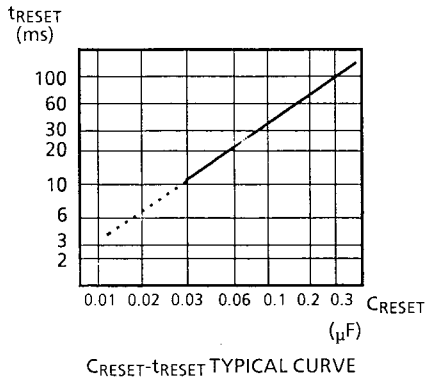
V_{OUT}-I_{OL} TYPICAL CURVE



f_{XTAL}-I_{CC} TYPICAL CURVE



V_{OUT}-I_{OH} TYPICAL CURVE
(PORT 1, 2)



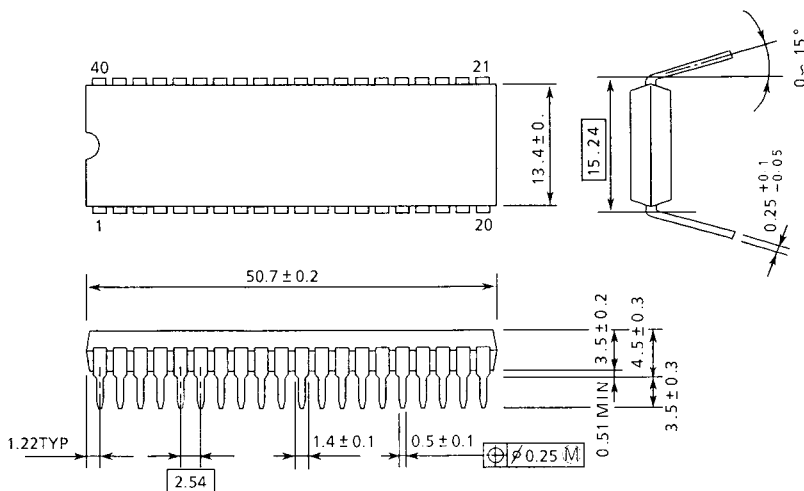
040989

7. OUTLINE DRAWING

7.1 Outline Drawing For TMP80C50AP/-6, TMP80C40AP/-6 (DIP : Dual Inline Package)

DIP40-P-600

Unit : mm



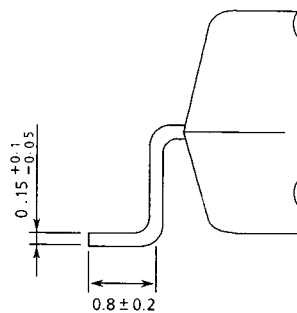
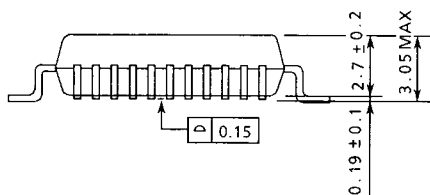
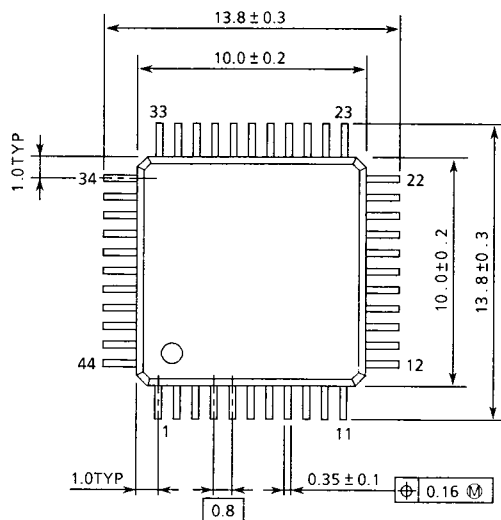
270289

- Note:
1. This dimension is measured at the center of bending point of leads.
 2. Each lead pitch is 2.54mm, and all the leads are located within ± 0.25 mm from their theoretical positions with respect to No.1 and No.40 leads.

7.2 Outline Drawing For TMP80C50AU/-6
(Micro Flat Package)

QFP44-P-1010A

Unit : mm



Note:

1. The above dimensions don't include the burr of package and the residue of tie-bar cut. The burr of package and the residue of tie-bar cut should be 0.15 mm (Max.).
2. Applied to the lead flat portion.

270289

CMOS INPUT/OUTPUT EXPANDER (TLCS-48C)**TMP82C43P****1. GENERAL DESCRIPTION AND FEATURES**

The TMP82C43P is an input/output expander designed specifically to provide a low cost means of I/O expansion for the TLCS-48C family.

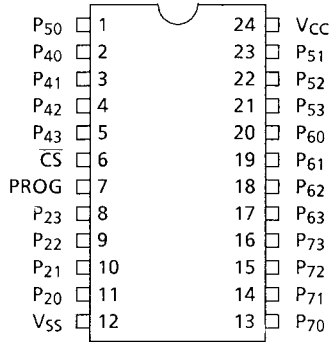
The I/O ports of the TMP82C43P serve as a direct extension of the resident I/O facilities of the TLCS-48C microcomputers and are accessed by their own MOVD, ANLD and ORLD instructions.

FEATURES

- CMOS LSI for low power dissipation
- Simple interface to TLCS-48C microcomputers
- Four 4-bit I/O ports
- Single 5V supply
- High output drive
- PIN compatible with intel's 8243
- Extended operation temperature range -40°C to 85°C

2. PIN CONNECTION AND PIN FUNCTIONS

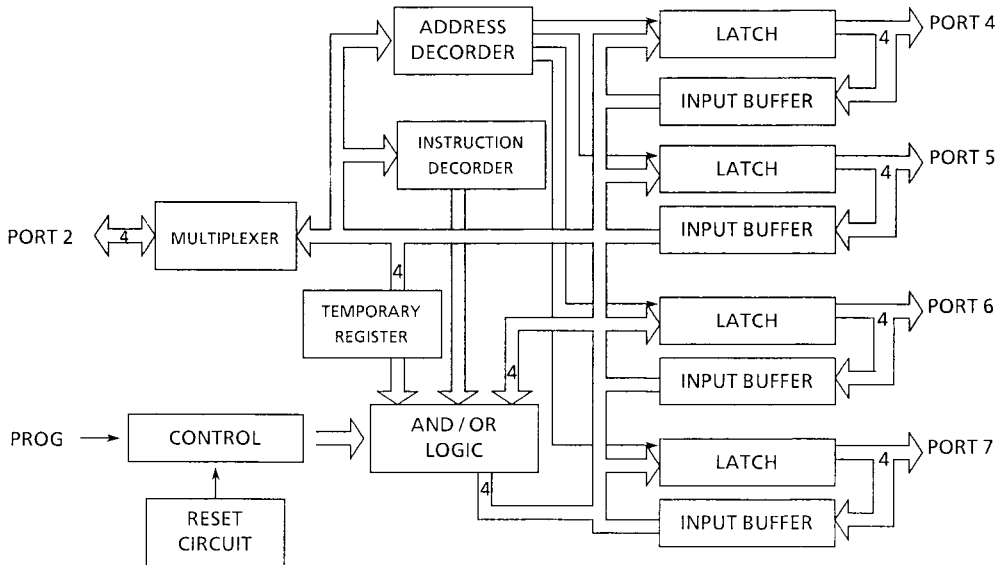
2.1 Pin Connection (Top View)



040989

Figure 2.1 DIP Pin Connections

2.2 Block Diagram



040989

Figure 2.2 Block Diagram

2.3 Pin Names And Pin Description

PROG (Input)

Clock input. A high to low transition on PROG signifies that address and control are available on P₂₀₋₂₃, and a low to high transition signifies that data is available on P₂₀₋₂₃.

\overline{CS} (Input)

Chip Select Input. A high on \overline{CS} inhibits any change of output or internal status.

P₂₀₋₂₃ (Input/Output, 3-state)

Four (4) bit bi-directional port contains the address and control bits on a high to low transition of PROG. During a low to high transition it, contains the data for a selected output port if a write operation, or the data from a selected port before the low to high transition if a read operation.

P₄₀₋₄₃, P₅₀₋₅₃, P₆₀₋₆₃, P₇₀₋₇₃ (Input/Output, 3-state)

Four (4) bit bi-directional I/O ports. May be programmed to be input (during read), low impedance latched output (after write) or a 3-state (after read). Data on pins P₂₀₋₂₃ may be directly written, ANDed or ORed with previous data.

V_{CC} (Power)

+5 volt supply

V_{SS} (Power)

0 volt supply

3. FUNCTIONAL DESCRIPTION

3.1 General Operation

The TMP82C43P contains four 4-bit I/O ports which serve as an extension of the on-chip I/O and are addressed as ports 4-7. The following operations may be performed on these ports.

- Transfer accumulator to port
- Transfer port to accumulator
- AND accumulator to port
- OR accumulator to port

All communication between the microcomputer (TMP80C49A) and the TMP82C43P occurs over Port 2 (P₂₀₋₂₃) with timing provided by an output pulse on the PROG pin of the processor. Each transfer consists of two 4-bit nibbles.

A high to low transition of the PROG line indicates that address is present while a low to high transition indicates the presence of data. Additional TMP82C43P may be added to the 4-bit bus and chip select signal using additional output lines from the microcomputer.

3.2 Power On Initialization

Initial application of power to the device forces input/output ports 4, 5, 6, and 7 to the tri-state and port 2 to the input mode. The PROG pin may be either high or low when power is applied. The first high to low transition of PROG causes device to exit power on mode. The power on sequence is initiated if V_{CC} drops below 1V.

P21	P20	ADDRESS CODE	P23	P22	INSTRUCTION CODE
0	0	PORT 4	0	0	Read
0	1	PORT 5	0	1	Write
1	0	PORT 6	1	0	ORLD
1	1	PORT 7	1	1	ANLD

040989

3.3 Write Modes

The device has three write modes. **MOVD Pi, A** directly writes new data into the selected port and old data is lost. **ORLD Pi, A** takes new data, OR's it with the old data and then writes it to the port. **ANLD Pi, A** takes new data AND's it with the old data and then writes it to the port. Operation code and port address are latched from the input port 2 on the high to low transition of the PROG pin. On the low to high transition of PROG data on port 2 is transferred to the logic block of the specified output port.

After the logic manipulation is performed, the data is latched and outputted. The old data remains latched until new valid outputs are entered.

3.4 Read Mode

The device has one read mode. The operation code and port address are latched from the input port 2 on the high to low transition of the PROG pin. As soon as the read operation and port address are decoded, the appropriate outputs are 3-stated, and the input buffers switched on. The read operation is terminated by a low to high transition of the PROG pin. The port (4, 5, 6 or 7) that was selected is switched to the 3-stated mode while port 2 is returned to the input mode.

Normally, a port will be in an output (write mode) or input (read mode).

If modes are changed during operation, the first read following a write should be ignored ; all following reads are valid. This is to allow the external driver on the port to settle after the first read instruction removes the low impedance drive from the TMP82C43P output. A read of any port will leave that port in a high impedance state.

4. ELECTRICAL CHARACTERISTICS

4.1 Absolute Maximum Ratings

SYMBOL	ITEM	RATING
V _{CC}	V _{CC} Supply Voltage with Respect to GND	- 0.5V to + 7.0V
V _{IN}	Input Voltage with Respect to GND	- 0.5V to V _{CC} + 0.5V
P _D	Power Dissipation	250mW
T _{SOLDER}	Soldering Temperature (soldering Time 10 sec.)	260°C
T _{STG}	Storage Temperature	- 65°C to + 150°C
T _{OPR}	Operating Temperature	- 40°C to + 85°C

040989

4.2 D.C. Characteristics (I)

T_{OPR} = - 40°C to 85°C, V_{CC} = 5V ± 10%, V_{SS} = 0V

SYMBOL	PARAMETER	TEST CONDITION	MIN.	TYP.	MAX.	UNITS
V _{IL}	Input Low Voltage		- 0.5	—	0.8	V
V _{IH}	Input High Voltage		2.2	—	V _{CC}	V
V _{OL1}	Output Low Voltage Ports 4-7	I _{OL} = 5mA	—	—	0.45	V
V _{OL2}	Output Low Voltage Port 7	I _{OL} = 20mA	—	—	1.0	V
V _{OL3}	Output Low Voltage Port 2	I _{OL} = 0.8mA	—	—	0.45	V
V _{OH11}	Output High Voltage Ports 4-7	I _{OH} = - 1.2mA	2.4	—	—	V
V _{OH21}	Output High Voltage Port 2	I _{OH} = - 0.6mA	2.4	—	—	V
V _{OH12}	Output High Voltage Ports 4-7	I _{OH} = - 0.6mA	V _{CC} - 0.8	—	—	V
V _{OH22}	Output High Voltage Port 2	I _{OH} = - 0.3mA	V _{CC} - 0.8	—	—	V
I _{IL1}	Input Leakage Port 4-7	V _{SS} ≦ V _{IN} ≦ V _{CC}	—	—	± 10	μA
I _{IL2}	Input Leakage Port 2, \overline{CS} , PROG	V _{SS} ≦ V _{IN} ≦ V _{CC}	—	—	± 10	μA
I _{CC1}	Power Supply Current (1)	V _{CC} = 5V, V _{IL} = 0.2V, V _{IH} = V _{CC} - 0.2V, PROG PERIOD = 5μS	—	—	2	mA
I _{CC2}	Power Supply Current (2)	V _{CC} = 5V, V _{IL} = 0.2V, V _{IH} = V _{CC} - 0.2V, PROG = V _{CC} - 0.2V,	—	—	10	μA
I _{OL}	Sum of all I _{OL} of 16 Outputs	5mA Each pin	—	—	80	mA

040989

4.3 D.C. Characteristics (II)

 $T_{OPR} = -40^{\circ}\text{C to } 85^{\circ}\text{C}, V_{CC} = 5\text{V} \pm 20\%, V_{SS} = 0\text{V}$

SYMBOL	PARAMETER	TEST CONDITION	MIN.	TYP.	MAX.	UNITS
V_{IL}	Input Low Voltage	$4.0 \leq V_{CC} \leq 4.5\text{V}$	-0.5	—	$0.15V_{CC}$	V
V_{IH}	Input High Voltage	$5.5 \leq V_{CC} \leq 6.0\text{V}$	$0.5V_{CC}$	—	V_{CC}	V
V_{OL1}	Output Low Voltage Ports 4-7	$I_{OL} = 4\text{mA}$	—	—	0.45	V
V_{OL2}	Output Low Voltage Port 7	$I_{OL} = 15\text{mA}$	—	—	1.0	V
V_{OL3}	Output Low Voltage Port 2	$I_{OL} = 0.6\text{mA}$	—	—	0.45	V
V_{OH12}	Output High Voltage Ports 4-7	$I_{OH} = -200\mu\text{A}$	$V_{CC} - 0.8$	—	—	V
V_{OH22}	Output High Voltage Port 2	$I_{OH} = -100\mu\text{A}$	$V_{CC} - 0.8$	—	—	V
I_{OL}	Sum of all I_{OL} of 16 outputs	4mA Each Pin	—	—	64	mA

040989

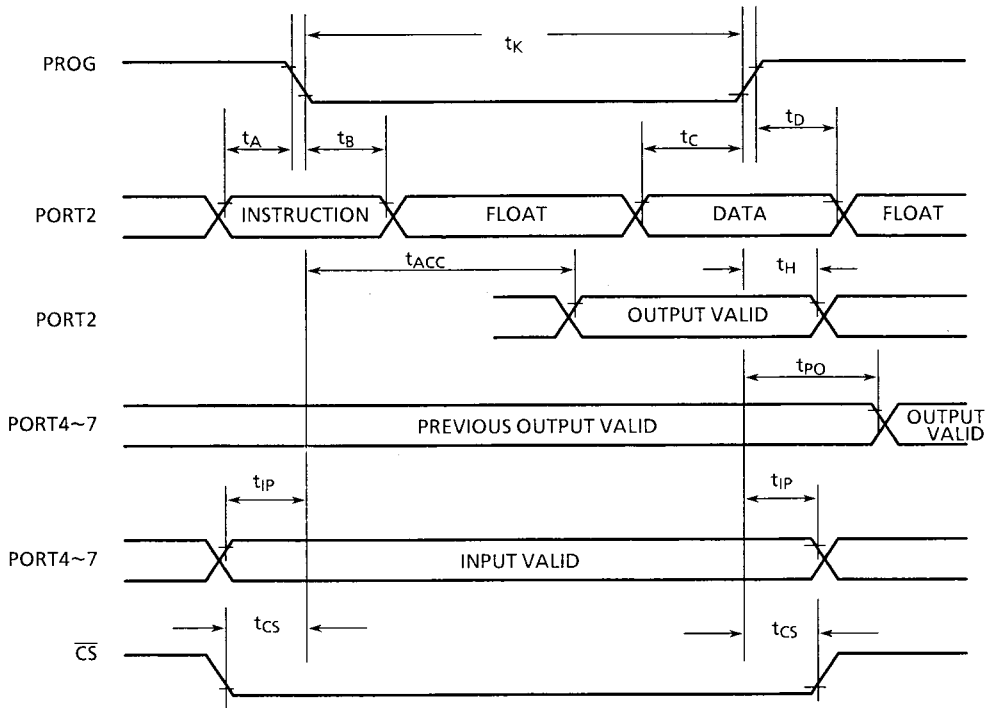
4.4 A.C. characteristics

 $T_{OPR} = -40^{\circ}\text{C to } 80^{\circ}\text{C}, V_{CC} = 5\text{V} \pm 20\%, V_{SS} = 0\text{V}$

SYMBOL	PARAMETER	TEST CONDITION	MIN.	TYP.	MAX.	UNITS
t_A	Code Valid Before PROG	$C_L = 80\text{pF}$	100	—	—	ns
t_B	Code Valid After PROG	$C_L = 20\text{pF}$	60	—	—	ns
t_C	Data Valid Before PROG	$C_L = 80\text{pF}$	200	—	—	ns
t_D	Data Valid After PROG	$C_L = 20\text{pF}$	20	—	—	ns
t_H	Floating After PROG	$C_L = 20\text{pF}$	0	—	150	ns
t_K	PROG Negative Pulse Width		700	—	—	ns
t_{CS}	\overline{CS} Valid Before/After PROG		50	—	—	ns
t_{PO}	Ports 4-7 Valid After PROG	$C_L = 100\text{pF}$	—	—	700	ns
t_{IP}	Ports 4-7 Valid Before/After PROG		100	—	—	ns
t_{ACC}	Port 2 Valid After PROG	$C_L = 80\text{pF}$	—	—	650	ns

040989

4.5 Timing Waveform

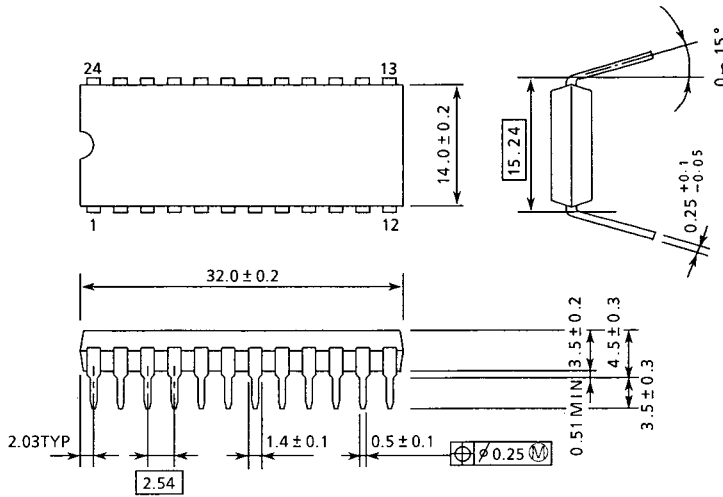


040989

5. OUTLINE DRAWINGS

DIP24-P-600

Unit : mm



270289

Note : Each lead pitch is 2.54mm. All leads are located within 0.25mm of their true longitudinal position with respect to No.1 and No.24 leads.