

PLEASE CHECK WWW.MOLEX.COM FOR LATEST PART INFORMATION

Part Number: [0736442201](#)

Status: **Active**

Overview: [hdm](#)

Description: 2.00mm (.079") Pitch HDM® Board-to-Board Backplane Header, Vertical, SMC, Press-Fit, Guide Post Location A, Polarizing Key Position A, 72 Circuits

Documents:

[3D Model](#)

[Drawing \(PDF\)](#)

[Test Summary \(PDF\)](#)

[RoHS Certificate of Compliance \(PDF\)](#)

Agency Certification

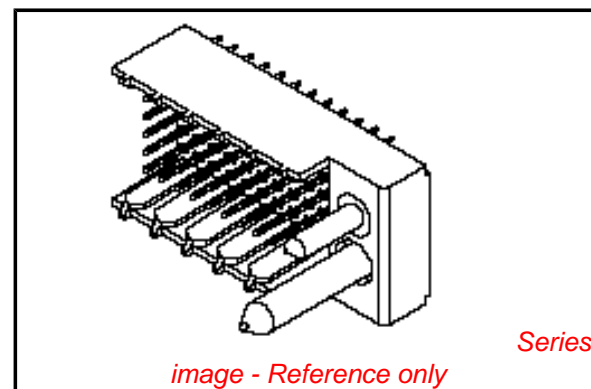
CSA LR19980
UL E29179

General

Product Family Backplane Connectors
Series [73644](#)
Application Backplane
Comments Standard Press-Fit, Tin/Lead (SnPb)
Component Type PCB Header
Overview [hdm](#)
Product Name HDM®
Style N/A

Physical

Circuits (Loaded) 72
Circuits (maximum) 72
Color - Resin Black, Natural
Durability (mating cycles max) 250
First Mate / Last Break No
Flammability 94V-0
Guide to Mating Part Yes
Keying to Mating Part Yes
Material - Metal Phosphor Bronze, Stainless Steel
Material - Plating Mating Gold
Material - Plating Termination Tin
Material - Resin High Temperature Thermoplastic
Number of Columns 12
Number of Pairs Open Pin Field
Number of Rows 6
Orientation Vertical
PC Tail Length (in) 0.138 In
PC Tail Length (mm) 3.50 mm
PCB Locator No
PCB Retention Yes
PCB Thickness Recommended (in) 0.098 In
PCB Thickness Recommended (mm) 2.50 mm
Packaging Type Tube
Pitch - Mating Interface (in) 0.079 In
Pitch - Mating Interface (mm) 2.00 mm
Pitch - Term. Interface (in) 0.079 In
Pitch - Term. Interface (mm) 2.00 mm
Plating min: Mating (µin) 30
Plating min: Mating (µm) 0.75
Plating min: Termination (µin) 15
Plating min: Termination (µm) 0.375



EU RoHS

RoHS Compliant by Exemption

REACH SVHC

Contains SVHC: No

Halogen-Free

Status

Halogen-Free

China RoHS



Pb

Need more information on product environmental compliance?

Email productcompliance@molex.com
For a multiple part number RoHS Certificate of Compliance, [click here](#)

Please visit the [Contact Us](#) section for any non-product compliance questions.

Search Parts in this Series

[73644Series](#)

Mates With

[73632](#) HDM PLUS® Board-to-Board Daughtercard Receptacle. [73780](#) HDM® Board-to-Board Daughtercard Receptacle

Application Tooling | FAQ

Tooling specifications and manuals are found by selecting the products below. Crimp Height Specifications are then contained in the Application Tooling Specification document.

Global

Description	Product #
Flat Rock Tooling for Pneumatic Press	0622013700
HDM® Backplane Insertion Signal Contact Tool	0621001400
Extraction Tool	0621001000

Polarized to PCB	No
Stackable	No
Surface Mount Compatible (SMC)	Yes
Temperature Range - Operating	-55°C to +105°C
Termination Interface: Style	Through Hole - Compliant Pin

Electrical

Current - Maximum per Contact	1A
Data Rate	1.0 Gbps
Real Signals (per 25mm)	75
Shielded	No
Voltage - Maximum	250V AC

Material Info

Reference - Drawing Numbers

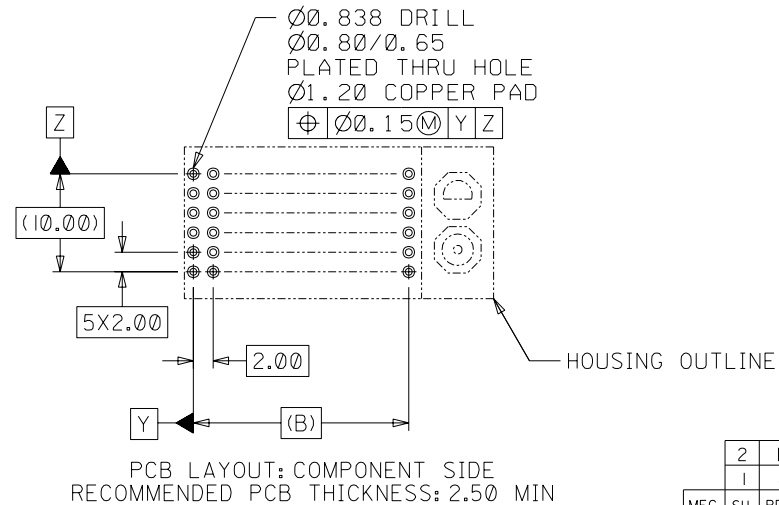
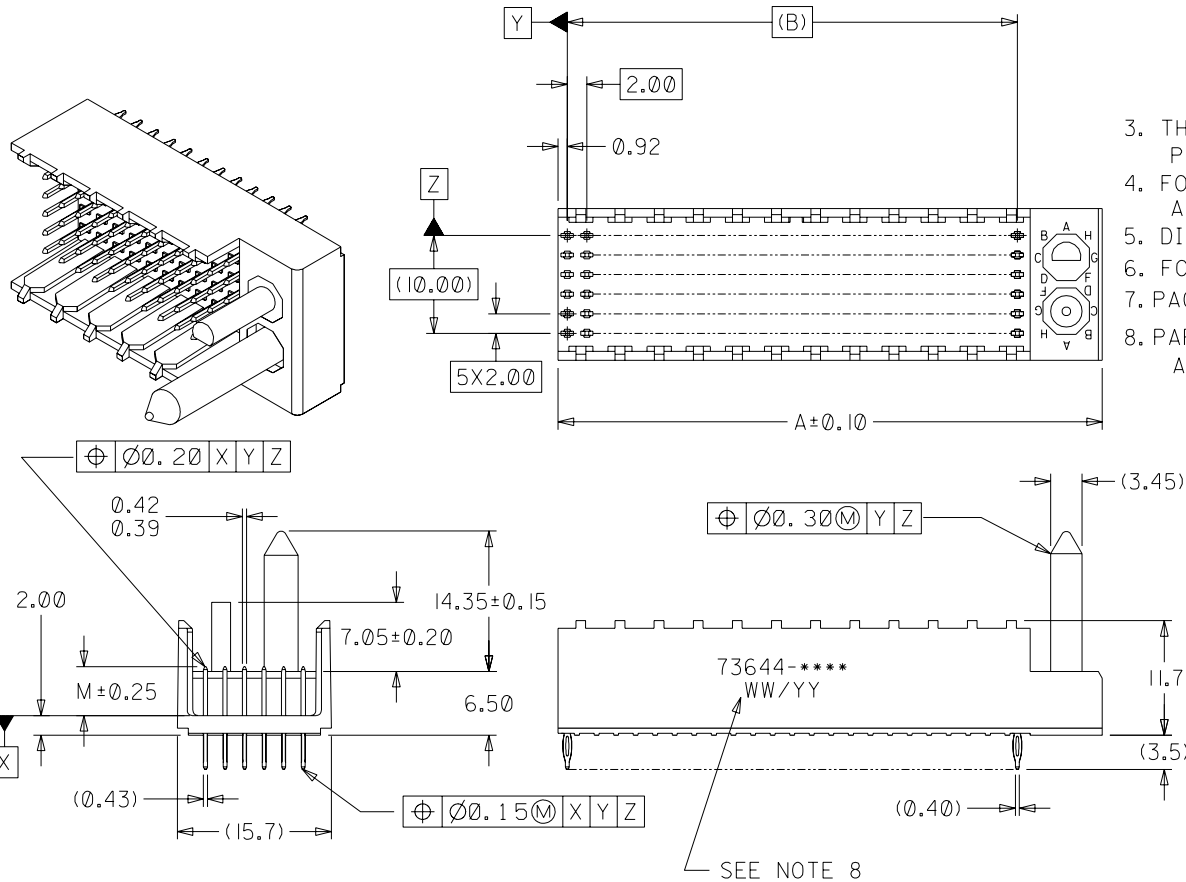
Packaging Specification	PK-70873-0818
Sales Drawing	SDA-73644-****

HDM and High Density Metric are trademarks of Amphenol Corporation

This document was generated on 05/14/2010

PLEASE CHECK WWW.MOLEX.COM FOR LATEST PART INFORMATION

- NOTES:**
- MATERIALS: HOUSING - LIQUID CRYSTAL POLYMER (LCP), GLASS-FILLED, UL94V-0, COLOR: BLACK, TERMINAL - PHOSPHOR BRONZE.
 - FINISHES: SELECTIVE GOLD (Au) IN CONTACT AREA, 0.00076mm MINIMUM THICKNESS; NICKEL (Ni) AND GOLD FLASH OVERALL SELECTIVE GOLD (Au) IN CONTACT AREA, 0.00076mm MIN. THICKNESS; SELECTIVE TIN/LEAD (Sb/Pb) IN TAIL AREA; NICKEL (Ni) OVERALL.
 - THIS PART CONFORMS TO MOLEX PRODUCT SPECIFICATION PS-73670-9999.
 - FOR MIXED CONTACT MATING LENGTHS, CONSULT FACTORY FOR AVAILABILITY.
 - DIMENSIONS ARE IN MILLIMETERS.
 - FOR SPECIFIC MATERIAL NUMBERS, REFER TO SHEET 2.
 - PACKAGE PER PK-70873-0818.
 - PARTS MARKED WITH PART NUMBER AND DATE CODE, ON EITHER SIDE, APPROXIMATELY WHERE SHOWN.



SEE NOTE 8

PCB LAYOUT: COMPONENT SIDE
RECOMMENDED PCB THICKNESS: 2.50 MIN

2	D
1	J
MFG. SH.	REV.

		I	REVISED ECR UDT2000-0348 BINGHAM 99/10/12
		H	REVISED ECR UDT1999-0662 BINGHAM 99/05/18
J	REVISED ECR UCP2003-2260 THOMAS 03/04/25	G	REVISED ECR UDT1999-0476 BINGHAM 98/12/21
LTR.	REVISIONS	LTR.	REVISIONS

DIMENSIONS SHOWN (METRIC) INCH	
UNLESS OTHERWISE SPECIFIED TOLERANCES: ANGULAR ± 1/2°	
3 PLACE	± N/A
2 PLACE	± N/A ± 0.05
1 PLACE	± 0.10
DRAFT WHERE APPLICABLE MUST REMAIN WITHIN DIMENSIONS	
DRWG. BY: JRR	CHK'D. BY: SMR
APP'D. BY: CAB	SCALE: 2 : 1

▽ = 0	▼ = 0	REVISE ONLY ON CAD SYSTEM	
TITLE SALES ASSY, HDM BACKPLANE MODULE, POLAR/GUIDE OPTION			
MOLEX INCORPORATED LISLE, ILL. 60532		SHEET NO. 1 OF 2	DATE 96/12/18
PART NO. SEE CHART		DRWG. NO. SDA-73644-****	
FILE NAME S73644X1 DGN		THIS DRAWING CONTAINS INFORMATION THAT IS PROPRIETARY TO MOLEX INC. AND SHOULD NOT BE USED WITHOUT WRITTEN PERMISSION.	
DIV. DA	SIZE B		

MATERIAL NUMBER	NUMBER OF SIGNAL CONTACTS	PLATING	DIM "A"	DIM "B"	DIM "M"
73644-00**	72	SELECTIVE GOLD/GOLD FLASH	31.60	22.00	5.00
73644-01**	72	SELECTIVE GOLD/GOLD FLASH	31.60	22.00	5.50
73644-02**	72	SELECTIVE GOLD/GOLD FLASH	31.60	22.00	6.00
73644-10**	144	SELECTIVE GOLD/GOLD FLASH	55.60	46.00	5.00
73644-11**	144	SELECTIVE GOLD/GOLD FLASH	55.60	46.00	5.50
73644-12**	144	SELECTIVE GOLD/GOLD FLASH	55.60	46.00	6.00
73644-20**	72	SELECTIVE GOLD/SELECTIVE TIN-LEAD	31.60	22.00	5.00
73644-21**	72	SELECTIVE GOLD/SELECTIVE TIN-LEAD	31.60	22.00	5.50
73644-22**	72	SELECTIVE GOLD/SELECTIVE TIN-LEAD	31.60	22.00	6.00
73644-30**	144	SELECTIVE GOLD/SELECTIVE TIN-LEAD	55.60	46.00	5.00
73644-31**	144	SELECTIVE GOLD/SELECTIVE TIN-LEAD	55.60	46.00	5.50
73644-32**	144	SELECTIVE GOLD/SELECTIVE TIN-LEAD	55.60	46.00	6.00

MATERIAL NUMBER ASSIGNMENT

73644- * * * *

0 = 72-CIRCUIT, GOLD/GOLD FLASH
 1 = 144-CIRCUIT, GOLD/GOLD FLASH
 2 = 72-CIRCUIT, GOLD/TIN-LEAD
 3 = 144-CIRCUIT, GOLD/TIN-LEAD

0 = 5.00 MATING LENGTH
 1 = 5.50 MATING LENGTH
 2 = 6.00 MATING LENGTH

NUMBER	GUIDE POST LOCATION	POLAR KEY POSITION
00	B	
01	A	A
02	B	
03	A	B
04	B	C
05	A	
06	B	D
07	A	
08	B	E
09	A	
10	B	F
11	A	
12	B	G
13	A	
14	B	H
15	A	
16	B	
17	A	N/A
18	N/A	



REF. MATERIAL NUMBER 73644-0009
 GUIDE PIN IS IN LOCATION A
 POLARIZING KEY IS IN LOCATION B, POSITION E

REF. MATERIAL NUMBER 73644-0008
 GUIDE PIN IS IN LOCATION B
 POLARIZING KEY IS IN LOCATION A, POSITION E

DIMENSIONS SHOWN (METRIC) INCH	
UNLESS OTHERWISE SPECIFIED TOLERANCES: ANGULAR = 1/2°	
3 PLACE	± N/A ---
2 PLACE	± N/A ± N/A
1 PLACE	--- ± N/A
DRAFT WHERE APPLICABLE MUST REMAIN WITHIN DIMENSIONS	
DRWG. BY: JRR	CHK'D. BY: SMR
APP'D. BY: CAB	SCALE: ---:---
LTR. REVISIONS	LTR. REVISIONS

DIMENSIONS SHOWN (METRIC) INCH UNLESS OTHERWISE SPECIFIED TOLERANCES: ANGULAR = 1/2° 3 PLACE ± N/A --- 2 PLACE ± N/A ± N/A 1 PLACE --- ± N/A DRAFT WHERE APPLICABLE MUST REMAIN WITHIN DIMENSIONS DRWG. BY: JRR CHK'D. BY: SMR APP'D. BY: CAB SCALE: ---:---	▽ = 0 ▼ = 0 REVISE ONLY ON CAD SYSTEM TITLE SALES ASSY, HDM BACKPLANE MODULE, POLAR/GUIDE OPTION MOLEX INCORPORATED SHEET NO. 2 DATE 96/12/18 LISLE, ILL. 60532 U.S.A. PART NO. DRWG. NO. SEE CHART SDA-73644-**** FILE NAME: S73644X2.DGN THIS DRAWING CONTAINS INFORMATION THAT IS PROPRIETARY TO MOLEX INC. AND SHOULD NOT BE USED WITHOUT WRITTEN PERMISSION. DIV. DA SIZE B
---	---