

**PLEASE CHECK WWW.MOLEX.COM FOR LATEST PART INFORMATION**

**Part Number:** [0505557712](#)  
**Status:** **Active**  
**Description:** Ring Tongue Terminal for 8 AWG, Closed Uninsulated Brazed Barrel, Stud Size 8 (M4), Oxygen-Free Copper, Width 9.00mm (.354"), Length 23.50mm (.925")

**Documents:**

[Drawing \(PDF\)](#) [RoHS Certificate of Compliance \(PDF\)](#)  
[Product Specification PS-50555-001 \(PDF\)](#)

**General**

Product Family	Ring and Spade Terminals
Series	<a href="#">50555</a>
Crimp Quality Equipment	Yes
Mil-Spec	N/A
Product Name	R (Ring)
Type	Ring

**Physical**

Barrel Type	Closed - Brazed
Insulation	None
Material - Plating Mating	Tin
Packaging Type	Bag
Stud Size	8 (M4)
Wire Size AWG	8
Wire Size mm <sup>2</sup>	6.64 - 10.52

**Material Info**

**Reference - Drawing Numbers**

Product Specification	PS-50555-001
Sales Drawing	SD-50555-001



Series

image - Reference only

**EU RoHS**

**ELV and RoHS Compliant**

**REACH SVHC**

Not Reviewed

**Halogen-Free**

**Status**

**Not Reviewed**

**China RoHS**



**Need more information on product environmental compliance?**

Email [productcompliance@molex.com](mailto:productcompliance@molex.com)  
 For a multiple part number RoHS Certificate of Compliance, [click here](#)

Please visit the [Contact Us](#) section for any non-product compliance questions.

**Search Parts in this Series**

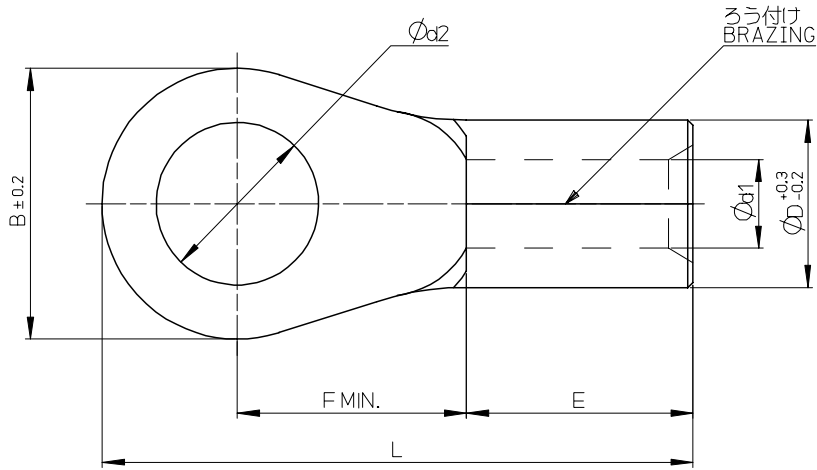
[50555Series](#)

**Application Tooling | FAQ**

*Tooling specifications and manuals are found by selecting the products below. Crimp Height Specifications are then contained in the Application Tooling Specification document.*

**Japan**

Description	Product #
Hand Crimper For JIS Terminal	<a href="#">0572575000</a>

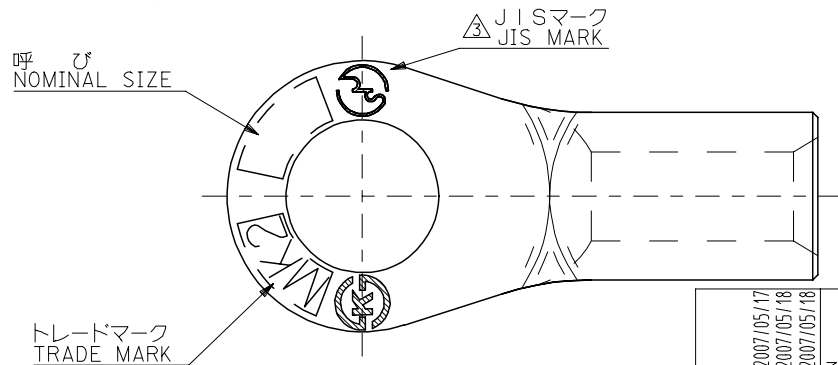
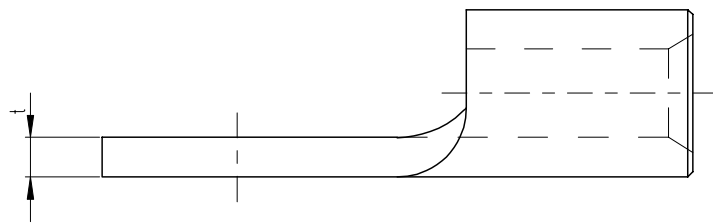


注記 NOTES

- 材質 MATERIAL  
 端子：無酸素銅、錫めっき  
 TERMINAL: OXYGEN-FREE COPPER, TIN PLATING  
 ろう付け部：りん銅ろう  
 PART OF BRAZING : COPPER PHOSPHORUS BRAZING FILLER METALS
- 適用電線 APPLICABLE WIRE RANGE

単線 SOLID WIRE	撚線 STRANDED WIRE
2.89~3.65 mm	6.64~10.52 mm <sup>2</sup>

Ⓐ JIS認定品にのみ刻印。  
 DIE STAMPED MARK IS ALLOWED ONLY  
 FOR JIS FILED PRODUCTS.



1.2	13.2 <sup>+0.2</sup> 5.3 <sup>+0.2</sup> 4.4 <sup>+0.2</sup> 5.4 <sup>+0.2</sup> 6.5 <sup>+0.2</sup>	34 <sup>+0.5</sup> 23.5 <sup>+0.5</sup> 29.5 <sup>+0.5</sup> 23.5 <sup>+0.5</sup> 30 <sup>MAX</sup>	15.2 9.7 9.1 6.1 13.5	8.3 <sup>+0.4</sup>	4.5 <sup>+0.3</sup>	7	20 10 9 15 12	8	12	50555-7912
									S5	50555-7812
									S4	50555-7712
									L5	50555-7612
									L6	50555-7512
4	50555-7412									
JIS	1.15 <sup>MN</sup>	24 <sup>MAX</sup>	7 9	7.9 <sup>MN</sup>	4.5 <sup>+0.2</sup>	7.1	15 12	8	10	50555-7312
									8	50555-7212
									6	50555-7112
5	50555-7012									
Ⓐ	t	Ød2	L	F	E	Ød1	ØD	B	呼び NOMINAL SIZE	ENG. NO.

RELEASED EC NO: J2007-0312 DR: NHVAJIMA 2007/05/17 CHK: K.KASAHARA 2007/05/18 APPR: NUKITA 2007/05/18	GENERAL TOLERANCES (UNLESS SPECIFIED)		DIMENSION STYLE MM ONLY		SCALE ---	DESIGN UNITS METRIC	THIRD ANGLE PROJECTION		
	10 UNDER	± ---	DRAWN BY H. YAJIMA	DATE '06/08/21	TITLE RING TERMINAL				
	10 OVER 30 UNDER	± ---	CHECKED BY K. KASAHARA	DATE '06/08/21	MATERIAL NO. SEE CHART				
	30 OVER	± ---	APPROVED BY N. UKITA	DATE '06/08/21	DOCUMENT NO. SD-50555-001				
	ANGULAR	± --- °	DRAFT WHERE APPLICABLE MUST REMAIN WITHIN DIMENSIONS		SIZE Ⓐ3		SHEET NO. 1 OF 1		