

PLEASE CHECK WWW.MOLEX.COM FOR LATEST PART INFORMATION

Part Number: [0014442524](#)
Status: **Active**
Overview: [cgrid_sl_products](#)
Description: 2.54mm (.100") Pitch SL™ Insulation Displacement Connector Assembly, Male, Single Row, Version D, Back Ribs, for Wire Size 24, 0.76µm (30µ") Gold (Au), 24 Circuits

Documents:

[3D Model](#) [Product Specification PS-70400 \(PDF\)](#)
[Drawing \(PDF\)](#) [RoHS Certificate of Compliance \(PDF\)](#)

Agency Certification

CSA LR19980
 UL E29179

General

Product Family Ribbon Cable / Wire Trap Connectors
 Series [70475](#)
 Comments Terminals Preloaded
 Component Type Housing
 Glow-Wire Compliant No
 Overview [cgrid_sl_products](#)
 Product Name SL™

Physical

Circuits (Loaded) 24
 Durability (mating cycles max) 50
 Entry Angle Vertical
 Flammability 94V-0
 Lock to Mating Part None
 Number of Rows 1
 PCB Retention None
 Packaging Type Tube
 Pitch - Mating Interface (in) 0.100 In
 Pitch - Mating Interface (mm) 2.54 mm
 Polarized to Mating Part No
 Stackable Yes
 Surface Mount Compatible (SMC) N/A
 Temperature Range - Operating -40°C to +105°C
 Wire Insulation Diameter 1.35mm (.053") max.
 Wire Size AWG 24
 Wire/Cable Type Discrete Wire, Ribbon Cable

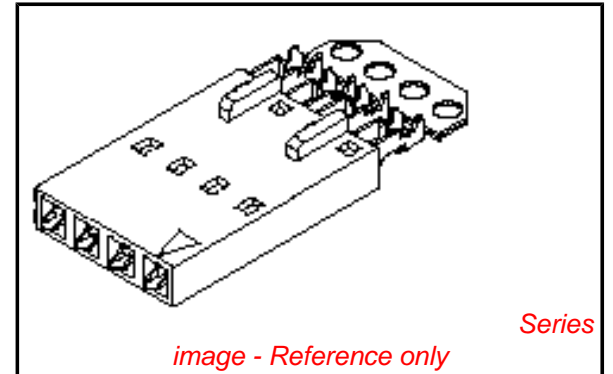
Electrical

Current - Maximum per Contact 3A
 Voltage - Maximum 250V

Material Info

Reference - Drawing Numbers

Product Specification PS-70400



EU RoHS **China RoHS**

Compliance Status

Not Reviewed

REACH SVHC

Not Reviewed

Halogen-Free

Status

Not Reviewed

Need more information on product environmental compliance?

Email productcompliance@molex.com
 For a multiple part number RoHS Certificate of Compliance, [click here](#)

Please visit the [Contact Us](#) section for any non-product compliance questions.

Search Parts in this Series

[70475Series](#)

Mates With

[70004](#) Interim Clip (Single Row), [70013](#) Interim Clip (Dual Row)

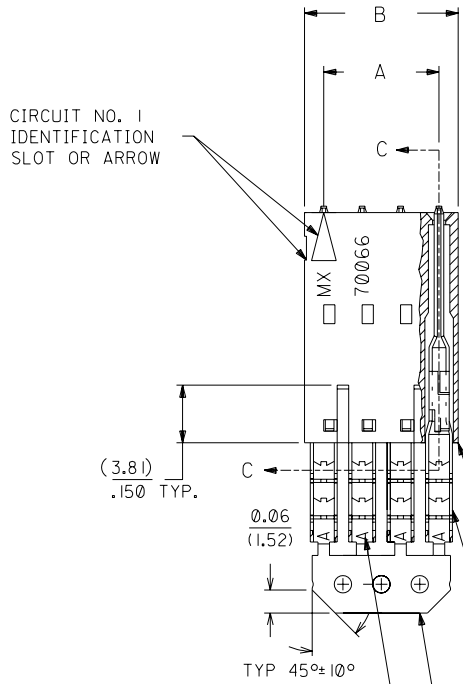
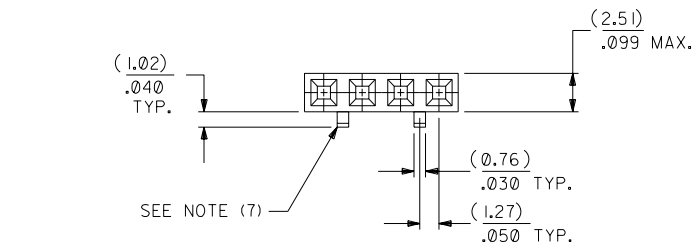
Use With

[7307](#) Tinned 28AWG, [7767](#) Topcoat 28AWG, [24241](#) Tinned 26AWG, [8996](#) Topcoat 26AWG, [24226](#) Tinned 24AWG, [8997](#) Topcoat 24AWG, [24369](#) High Flex 26AWG, [24389](#) High Flex 24AWG

OPTION D

NOTES:

- 1) TO BE USED WITH (24) AWG. STRANDED WIRE WITH (1.35)/.053 DIA. MAX. INSULATION.
- 2) SEE CHART FOR CIRCUIT SIZES.
- 3) STANDARD PACKAGING PER PK-70873-0001. OPTIONAL PACKAGING MAY BE AVAILABLE, REQUEST DWG. PK-70475.
- 4) PARTS STACKABLE END TO END ON (2.54)/.100 CENTERS.
- 5) REFER TO PRODUCT SPECIFICATION: PS-70475.
- 6) SEE DWG. SDA-70475-***** (SHT.3) FOR OPTIONAL HOUSING DETAILS.
- 7) 4 CIRCUIT SHOWN. 3 - 25 CKT'S. HAVE (2) RIBS.
- 8) TO MATE WITH MOLEX PART NO'S.: 70018-****, 70022-****, 70104-****.
- 9) 2 CIRCUIT ASSEMBLIES SUPPLIED AS GROUPED PAIRS.



| I.D. SLOT CODE TO WIRE GAUGE CHART | |
|------------------------------------|------------|
| I.D. SLOT CODE | WIRE GAUGE |
| A | 24 AWG. |

| PLATING CODE (STRIPE ON CARRIER STRIP) | |
|--|-------|
| PLATING | COLOR |
| 30 GOLD | RED |

30 GOLD - .000030 MINIMUM GOLD IN SELECT AREA WITH .000075 MINIMUM TIN IN SELECT AREA OVER .000050 MINIMUM NICKEL OVER-ALL.

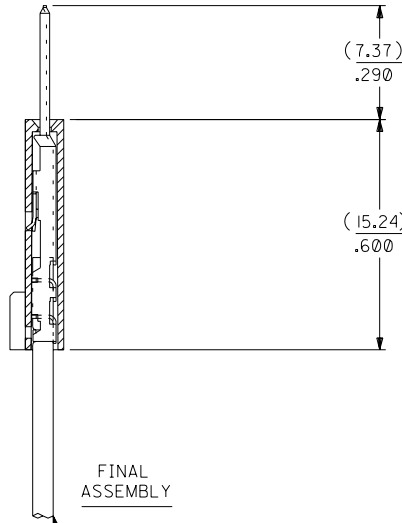
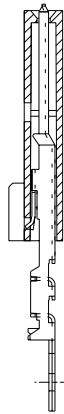
*THE PRIMARY SHIPPING CARTON WILL BE LABELED "COMPLIANT TO RoHS DIRECTIVE 2002/95/EC AND ELV ANNEX II OF DIRECTIVE 2000/53/EC". CARTONS WITHOUT THIS LABEL MAY CONTAIN PRODUCT WITH LEAD.

HOUSING PART NO. 70066-****
MATERIAL: G.F. POLYESTER, 94V-0

TERMINAL PART NO. 70110-****
MATERIAL: PHOSPHOR BRONZE
PLATING PER ES-88-***



SECTION C-C



| CKT. SIZE | DIMENSIONS (INCH) | | EDP. NO. | ENG. NO. |
|-----------|--------------------|--------------------|------------|--------------|
| | A | B | | |
| 2 | (2.54) .100 | (5.05) .199 | 14-44-2502 | A-70475-1121 |
| 3 | (5.08) .200 | (7.59) .299 | 14-44-2503 | A-70475-1122 |
| 4 | (7.62) .300 | (10.13) .399 | 14-44-2504 | A-70475-1123 |
| 5 | (10.16) .400 | (12.67) .499 | 14-44-2505 | A-70475-1124 |
| 6 | (12.70) .500 | (15.21) .599 | 14-44-2506 | A-70475-1125 |
| 7 | (15.24) .600 | (17.75) .699 | 14-44-2507 | A-70475-1126 |
| 8 | (17.78) .700 | (20.29) .799 | 14-44-2508 | A-70475-1127 |
| 9 | (20.32) .800 | (22.83) .899 | 14-44-2509 | A-70475-1128 |
| 10 | (22.86) .900 | (25.37) .999 | 14-44-2510 | A-70475-1129 |
| 11 | (25.54) 1.000 | (27.91) 1.099 | 14-44-2511 | A-70475-1130 |
| 12 | (27.94) 1.100 | (30.45) 1.199 | 14-44-2512 | A-70475-1131 |
| 13 | (30.48) 1.200 | (32.99) 1.299 | 14-44-2513 | A-70475-1132 |
| 14 | (33.02) 1.300 | (35.53) 1.399 | 14-44-2514 | A-70475-1133 |
| 15 | (35.56) 1.400 | (38.07) 1.499 | 14-44-2515 | A-70475-1134 |
| 16 | (38.01) 1.500 | (40.61) 1.599 | 14-44-2516 | A-70475-1135 |
| 17 | (40.64) 1.600 | (43.15) 1.699 | 14-44-2517 | A-70475-1136 |
| 18 | (43.18) 1.700 | (45.69) 1.799 | 14-44-2518 | A-70475-1137 |
| 19 | (45.72) 1.800 | (48.23) 1.899 | 14-44-2519 | A-70475-1138 |
| 20 | (48.26) 1.900 | (50.77) 1.999 | 14-44-2520 | A-70475-1139 |
| 21 | (50.80) 2.000 | (53.31) 2.099 | 14-44-2521 | A-70475-1140 |
| 22 | (53.34) 2.100 | (55.85) 2.199 | 14-44-2522 | A-70475-1141 |
| 23 | (55.88) 2.200 | (58.39) 2.299 | 14-44-2523 | A-70475-1142 |
| 24 | (58.42) 2.300 | (60.93) 2.399 | 14-44-2524 | A-70475-1143 |
| 25 | (60.96) 2.400 | (63.47) 2.499 | 14-44-2525 | A-70475-1144 |

| LTR. | REVISIONS | LTR. | REVISIONS |
|------|-----------|------|-----------|
| | | | |

| DRWG. BY | CHK'D. BY | SCALE |
|----------|-----------|-------|
| WAZ | WAZ | 4 : 1 |

| DIMENSIONS SHOWN (METRIC) INCH | | UNLESS OTHERWISE SPECIFIED TOLERANCES: ANGULAR ± 1/2° | |
|--------------------------------|------|---|--------|
| 3 PLACE ± .010 | INCH | METRIC | --- |
| 2 PLACE ± .014 | INCH | METRIC | ± 0.25 |
| 1 PLACE --- | INCH | METRIC | ± 0.35 |

DRAFT WHERE APPLICABLE MUST REMAIN WITHIN DIMENSIONS
 FILE NAME: S70475DX7
 THIS DRAWING CONTAINS INFORMATION THAT IS PROPRIETARY TO MOLEX INC. AND SHOULD NOT BE USED WITHOUT WRITTEN PERMISSION.

| TITLE | | REVISE ONLY ON CAD SYSTEM | |
|---|--|---------------------------|----------|
| ASSEMBLY, SL CONNECTOR (SINGLE ROW- (2.54)/.100 GRID) | | | |
| MOLEX INCORPORATED | | SHEET NO. | DATE |
| LISLE, ILL. 60532 U.S.A. | | 1 | 10/13/84 |
| PART NO. SDA-70475-1121-1144 | | DRWG. NO. | |
| SEE CHART | | | |

70475

MFG. SH. REV.