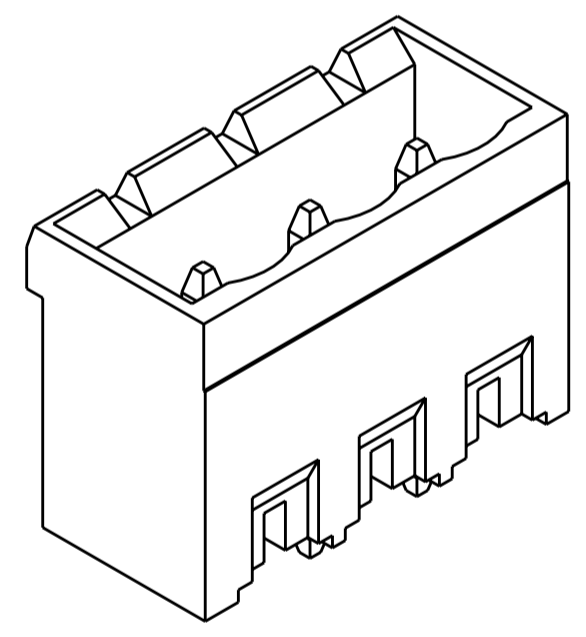
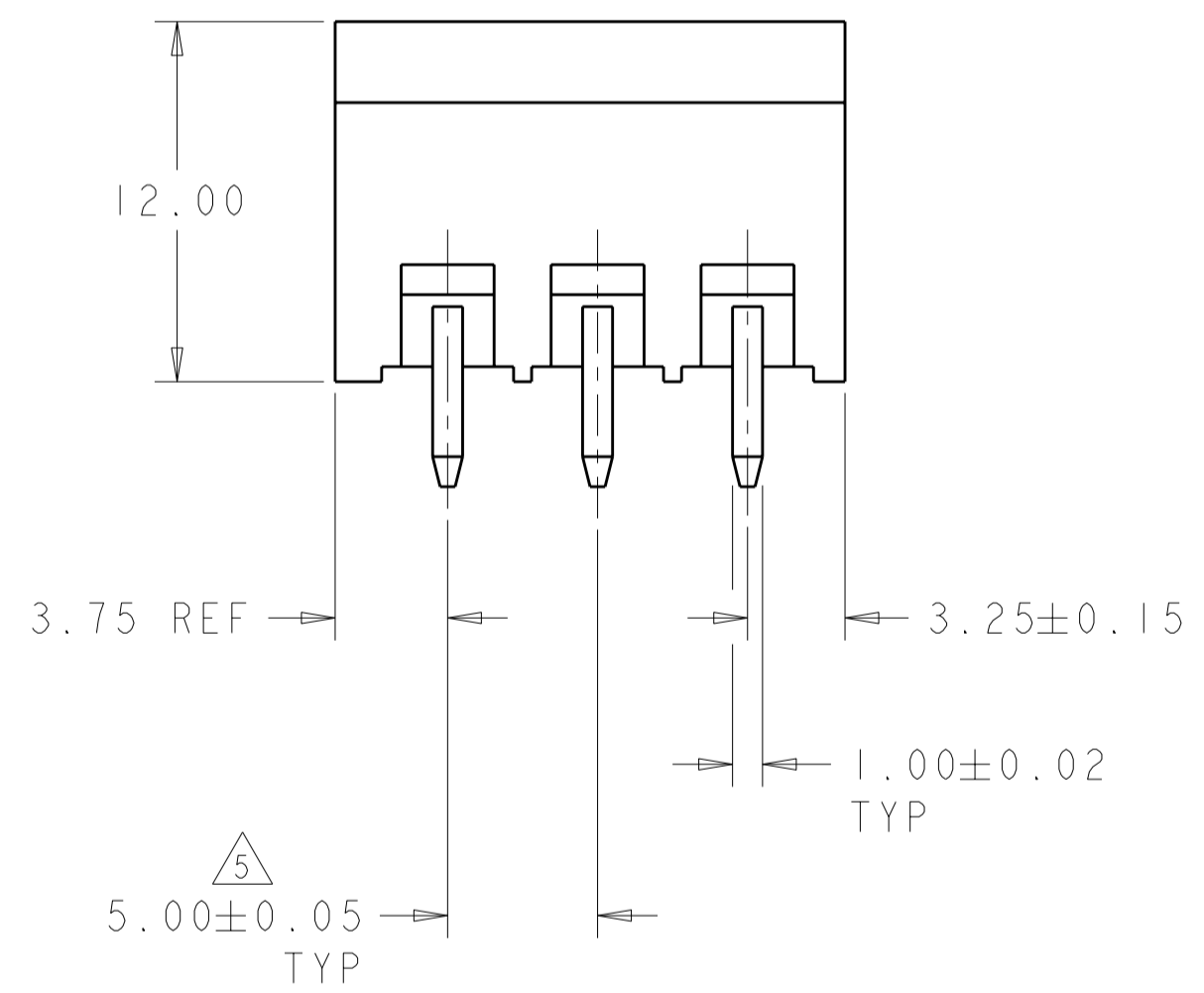
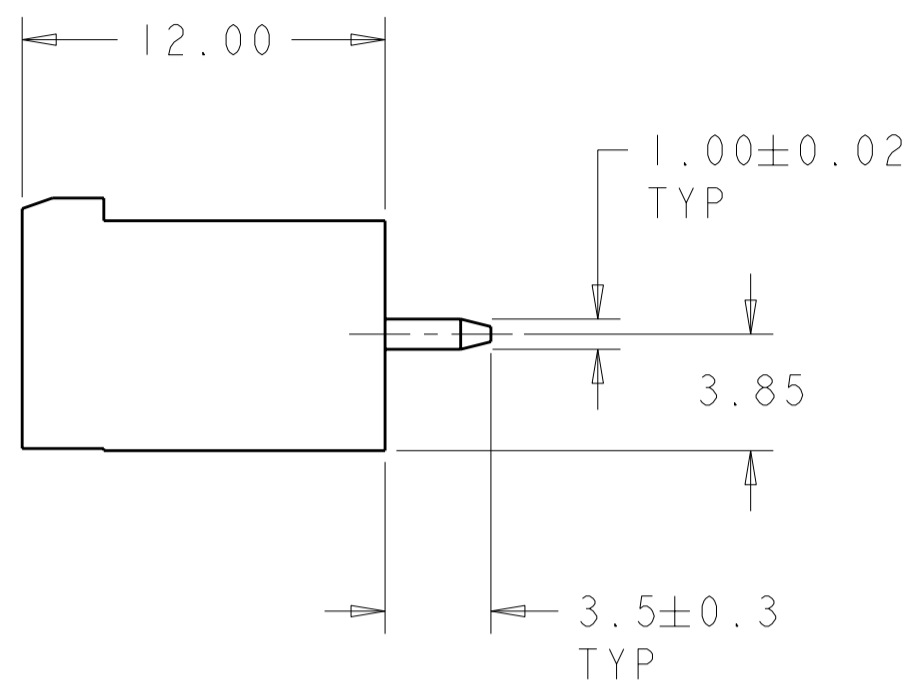
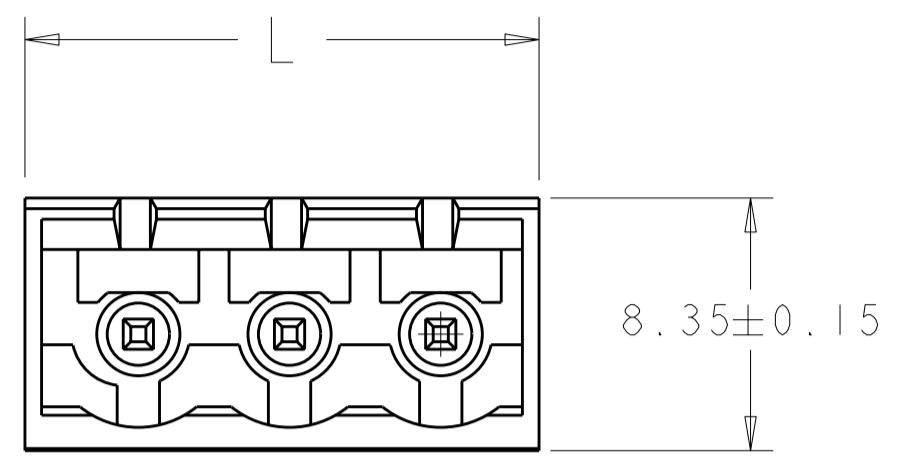
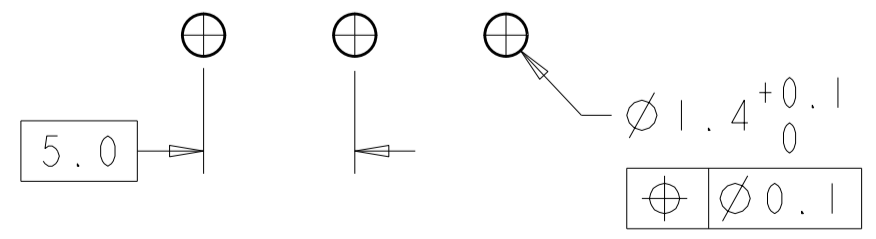


THIS DRAWING IS UNPUBLISHED. RELEASED FOR PUBLICATION 20
 © COPYRIGHT 20 BY TYCO ELECTRONICS CORPORATION. ALL RIGHTS RESERVED.

LOC		DIST		REVISIONS			
P	LTR	DESCRIPTION	DATE	DWN	APVD		
FT	0						
	C3	REVISED PER ECO-08-031652	19DEC2008	HMR	CR		



796642-3 AS SHOWN



RECOMMENDED PC BOARD LAYOUT

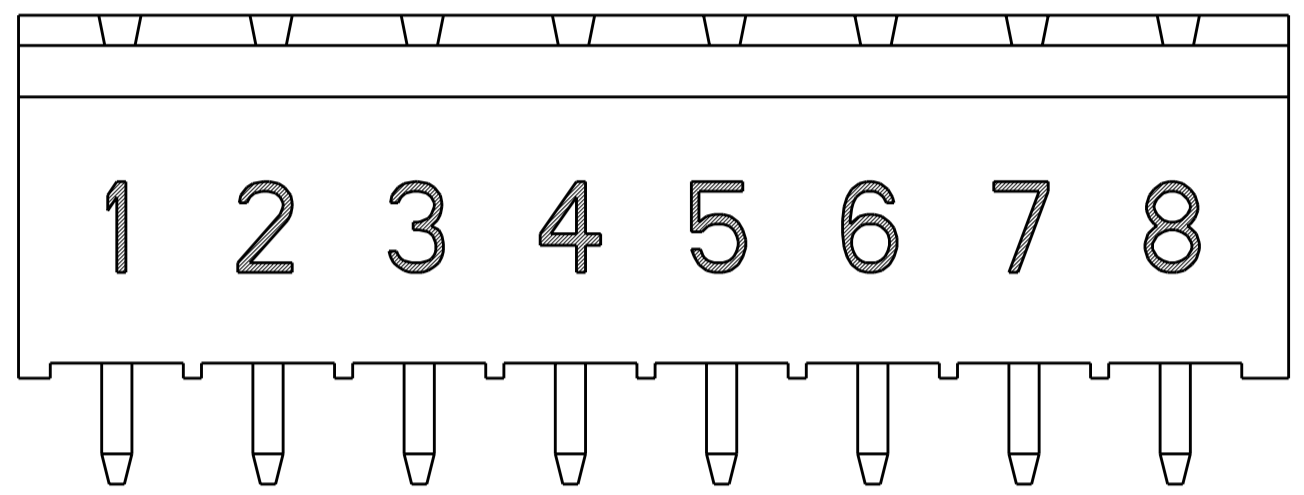
MARKING	SPECIAL	CONTACT FINISH	DIM L	NO OF POSN	PART NUMBER
8	SEE DETAIL A-A	TIN PLATED	17.0	3	3-796642-3
8	-	AU FL	37.0	7	3-796642-2
8	PIN 2 REMOVED	TIN PLATED	42.0	8	3-796642-1
8	PIN 2 REMOVED	TIN PLATED	37.0	7	3-796642-0
8	PIN 2 REMOVED	TIN PLATED	32.0	6	2-796642-9
	-	GOLD PLATED	25.0	5	2-796642-8
6	SEE DETAIL Y		50.0	10	2-796642-7
6	SEE DETAIL Z		40.0	8	2-796642-6
	-		127.0	25	2-796642-5
	-		122.0	24	2-796642-4
	-		117.0	23	2-796642-3
	-		112.0	22	2-796642-2
	-		107.0	21	2-796642-1
	-		102.0	20	2-796642-0
	-		97.5	19	1-796642-9
	-		92.0	18	1-796642-8
	-		87.0	17	1-796642-7
	-		82.0	16	1-796642-6
	-	TIN PLATED	77.0	15	1-796642-5
	-		72.0	14	1-796642-4
	-		67.0	13	1-796642-3
	-		62.0	12	1-796642-2
	-		57.0	11	1-796642-1
	-		52.0	10	1-796642-0
	-		47.0	9	796642-9
	-		42.0	8	796642-8
	-		37.0	7	796642-7
	-		32.0	6	796642-6
	-		27.0	5	796642-5
	-		22.0	4	796642-4
	-		17.0	3	796642-3
	-		12.0	2	796642-2

THIS DRAWING IS A CONTROLLED DOCUMENT FOR TYCO ELECTRONICS CORPORATION. IT IS SUBJECT TO CHANGE AND THE CONTROLLING ENGINEERING ORGANIZATION SHOULD BE CONTACTED FOR THE LATEST REVISION.		DWN S. WELDON 19OCT2000 CHK D. BIEVENOUR 19OCT2000 APVD D. BIEVENOUR 19OCT2000	Tyco Electronics Harrisburg, PA 17105-3608
DIMENSIONS: mm	TOLERANCES UNLESS OTHERWISE SPECIFIED: 0 PLC ± 1 PLC ±0.3 2 PLC ±0.25 3 PLC ± 4 PLC ± ANGLES ± FINISH ±	PRODUCT SPEC APPLICATION SPEC WEIGHT	NAME TERMINAL BLOCK HEADER ASSEMBLY 180 DEGREE, CLOSED ENDS, 5.00mm PITCH
MATERIAL	FINISH	CUSTOMER DRAWING	SIZE A2 CAGE CODE 00779 DRAWING NO. 796642 RESTRICTED TO SCALE 4:1 SHEET 1 OF 2 REV C3

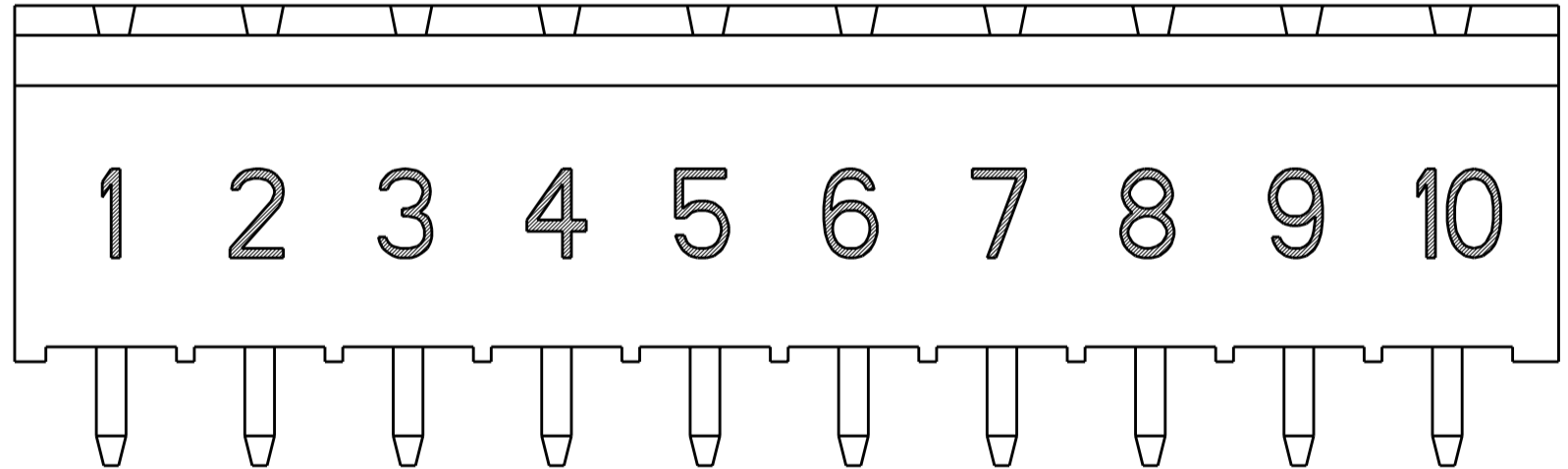
THIS DRAWING IS UNPUBLISHED. RELEASED FOR PUBLICATION 20
 © COPYRIGHT 20 BY TYCO ELECTRONICS CORPORATION. ALL RIGHTS RESERVED.

LOC		DIST		REVISIONS			
P	LTR	DESCRIPTION	DATE	DWN	APVD		
		SEE SHEET 1					

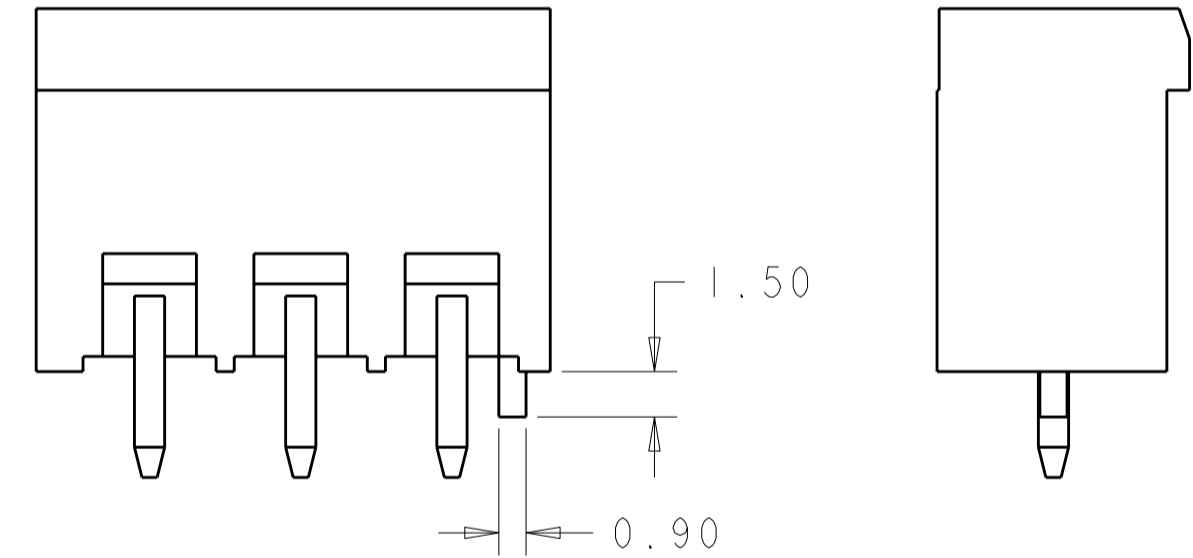
- 1. MATERIALS AND FINISH:
 HOUSING: PA 6-6, UL 94-V0, COLOR: GREEN.
 TERMINAL: PHOSPHOR BRONZE, SEE TABLE.
- 2. SUITABLE FOR 1,6-2, 4mm PC BOARD THICKNESS.
- 3. RECOGNIZED UNDER THE COMPONENT PROGRAM OF UNDERWRITERS LABORATORIES INC. FILE N° E60677.
- 4. IMQ CERTIFICATE WITH SURVEILLANCE IN CONFORMITY WITH IEC 998-1/998-2-1.)
- 5. NOT CUMULATIVE TOLERANCE
- 6. INK MARKED WHITE. NUMERICAL SEQUENCE FROM LEFT TO RIGHT.
- 7. BUCHANAN LOGO TO APPEAR ON HOUSING, LOCATION OPTIONAL WHERE SPACE PERMITS.
- 8. PRELIMINARY PART NUMBER.



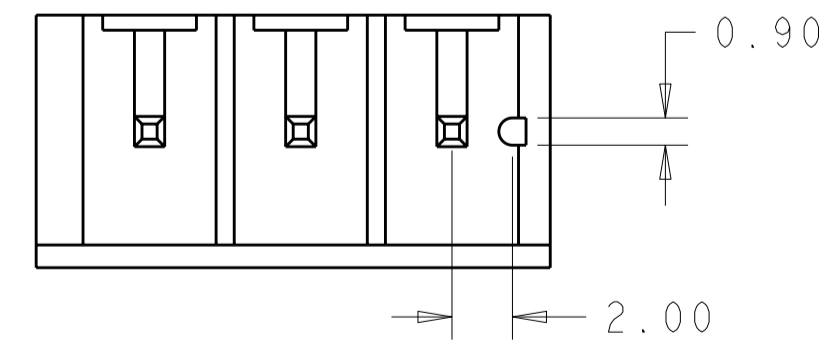
DETAIL Z



DETAIL Y



DETAIL A-A



<small>THIS DRAWING IS A CONTROLLED DOCUMENT FOR TYCO ELECTRONICS CORPORATION IT IS SUBJECT TO CHANGE AND THE CONTROLLING ENGINEERING ORGANIZATION SHOULD BE CONTACTED FOR THE LATEST REVISION.</small>		DWN S. WELDON 19OCT2000 CHK D. BIEVENOUR 19OCT2000 APVD D. BIEVENOUR 19OCT2000	Tyco Electronics Harrisburg, PA 17105-3608
DIMENSIONS: mm 	TOLERANCES UNLESS OTHERWISE SPECIFIED: 0 PLC ± 1 PLC ± 2 PLC ± 3 PLC ± 4 PLC ± ANGLES ± FINISH -	PRODUCT SPEC - APPLICATION SPEC - WEIGHT -	NAME TERMINAL BLOCK HEADER ASSEMBLY 180 DEGREE, CLOSED ENDS, 5.00mm PITCH
MATERIAL -		SIZE A2 CAGE CODE 00779 DRAWING NO. 796642	RESTRICTED TO -
CUSTOMER DRAWING		SCALE 4:1	SHEET 2 OF 2 REV C3