

PLEASE CHECK WWW.MOLEX.COM FOR LATEST PART INFORMATION

Part Number: [1300980197](#)
Status: **Active**
Overview: [brad wire mesh grips](#)
Description: MAX-LOC® Multi-Hole Strain Relief, 1/2" NPT, Straight Female, Cable Diameter 6.35mm (.250")

Documents:

[Drawing \(PDF\)](#) [RoHS Certificate of Compliance \(PDF\)](#)

Agency Certification

CSA LR32159
 UL E76954

General

Product Family Cable Grips
 Series [130098](#)
 Comments Indicates that one or more grommet hole is covered by a thin membrane which can easily be "Poked" open if required.
 Eye Type N/A
 Insulated No
 O-Ring No
 Overview [brad wire mesh grips](#)
 Product Name MAX-LOC®
 Type Strain Relief Grips
 Woodhead Yes

Physical

Approximate Break Strength N/A
 Bale Length N/A
 Body Style Straight
 Cable Diameter 6.35mm (.250")
 Color - Grommet Yellow
 Gender Female
 Material - Body Nylon
 Material - Grip N/A
 Mesh Length N/A
 Number of Holes 2 or 3
 Strain Relief Force 35 lbs
 Thread Size 1/2" NPT

Material Info

Old Part Number 5594-005

Reference - Drawing Numbers

Sales Drawing SD-130098-195

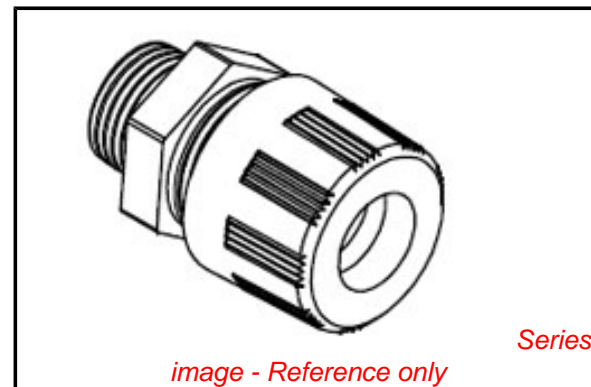


image - Reference only

EU RoHS

ELV and RoHS Compliant
REACH SVHC Not Reviewed
Halogen-Free Status Not Reviewed

China RoHS

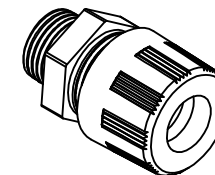
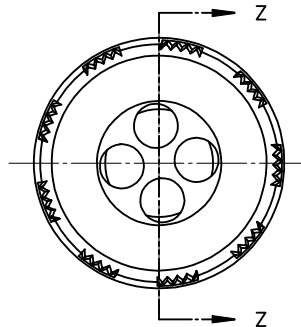
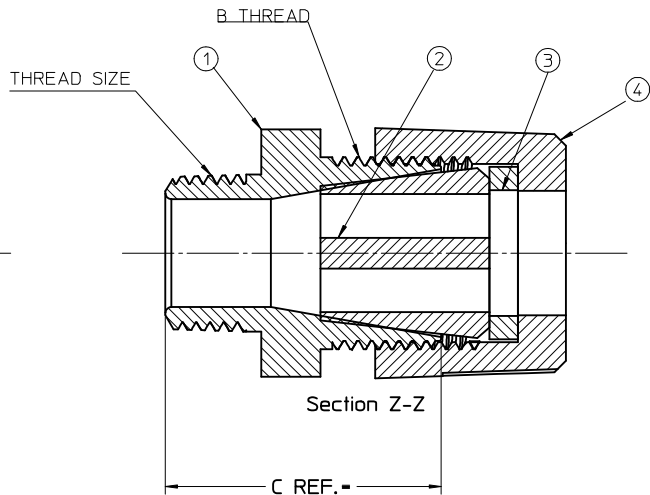
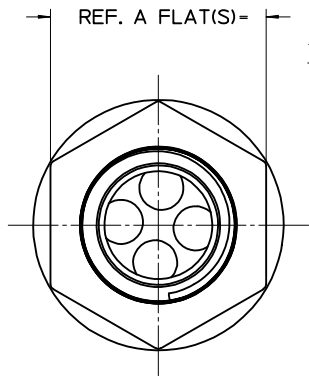


Need more information on product environmental compliance?

Email productcompliance@molex.com
 For a multiple part number RoHS Certificate of Compliance, [click here](#)

Please visit the [Contact Us](#) section for any non-product compliance questions.

Search Parts in this Series
[130098Series](#)



MATERIAL NO.	OLD PART NO.	THREAD SIZE	CABLE (HOLE) DIA.	NUMBER OF HOLES	A	B	C	ITEM 1 COLOR	ITEM 2 MATERIAL	ITEM 2 COLOR	ITEM 3 MATERIAL	ITEM 4 MATERIAL	ITEM 4 COLOR
1300980195	5594-004	1/2" NPT	.225/5.72	4	1.13/28.7	1"-14	1.44/36.6	Gray	Nitrile	Black	HDPE	Nylon	Gray
1300980197	5594-005	1/2" NPT	.250/6.35	3	1.13/28.7	1"-14	1.44/36.6	Gray	Nitrile	Gray	HDPE	Nylon	Gray
1300980199	5594-006	1/2" NPT	.290/7.37	2	1.13/28.7	1"-14	1.44/36.6	Gray	Nitrile	Black	HDPE	Nylon	Gray
1300980202	5594-007	1/2" NPT	.156/3.96	4	1.13/28.7	1"-14	1.44/36.6	Gray	Nitrile	Orange	HDPE	Nylon	Gray
1300980204	5594-008	1/2" NPT	.187/4.75	7	1.13/28.7	1"-14	1.44/36.6	Gray	Nitrile	Yellow	HDPE	Nylon	Gray

- NOTES:
 1. MATERIAL: SEE TABLE
 2. FINISHES: SEE TABLE
 3. NEMA RATING: NEMA 3R
 4. RoHS COMPLIANT: YES

ITEM	QTY.	DESCRIPTION	MATERIAL	FINISH
4	1	COMPRESSION NUT	SEE CHART	SEE CHART
3	1	COMPRESSION RING	SEE CHART	NATURAL (WHITE)
2	1	GROMMET	SEE CHART	SEE CHART
1	1	STRAIGHT MALE BODY	NYLON	SEE CHART

2009/06/10

ENTER DESCRIPTION
 EC NO: WNA2009-0746
 DRW: NKUMAR01 2009/05/15
 CHKD:
 APPR: JFMURPHY

QUALITY SYMBOLS
 ▽=0
 ▽=0

GENERAL TOLERANCES (UNLESS SPECIFIED)

	mm	INCH
4 PLACES	± .005	± .0005
3 PLACES	± .005	± .0005
2 PLACES	± .010	± .0010
1 PLACE	± 0.3	± .0125

ANGULAR ±1/2°

DRAFT WHERE APPLICABLE MUST REMAIN WITHIN DIMENSIONS

DIMENSION STYLE
 IN/MM

DRAWN BY: NKUMAR01 DATE: 2009/05/15
 CHECKED BY: BWOODMAN DATE: 2009/05/18
 APPROVED BY: JFMURPHY DATE: 2009/05/18

MATERIAL NO. SEE CHART

SCALE 2:1 DESIGN UNITS INCH THIRD ANGLE PROJECTION

TITLE
 MAX-LOC F2 1/2 (MULTI-HOLE) (4).225HOLES NO O-RING

MOLEX INCORPORATED

DOCUMENT NO. SD-130098-195 SHEET NO. 1 OF 1

THIS DRAWING CONTAINS INFORMATION THAT IS PROPRIETARY TO MOLEX INCORPORATED AND SHOULD NOT BE USED WITHOUT WRITTEN PERMISSION