



## LLV321

## LINEAR INTEGRATED CIRCUIT

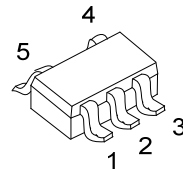
### GENERAL PURPOSE, LOW VOLTAGE, RAIL-TO-RAIL OUTPUT AMPLIFIERS

#### DESCRIPTION

The **LLV321** is a single, low cost and voltage feedback amplifier, that consumes only 80µA supply current, 1.2MHz of bandwidth and 1.5V/µs of slew rate at a low supply voltage of 2.7V. It is supplied from 2.7V (±1.35V) to 5.5V (±2.75V). The common mode voltage range extends below the negative rail and the output provides rail-to-rail performance.

The **LLV321** is fabricated on a CMOS process. The combination of low power, rail-to-rail performance, low voltage operation, and tiny package options makes the device well suited for use in personal electronics equipment such as cellular handsets, pagers, PDAs, and other battery powered applications.

The **LLV321** is also applied in portable test instruments, telephone systems, low cost general purpose applications, cellular phones, MP3 players, personal data assistants, A/D buffer, DSP interface, audio applications, smart card readers, keyless entry, Infrared receivers for remote controls, digital still cameras and hard disk drives.



SOT-353

#### FEATURES (at 2.7V)

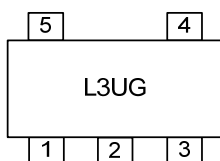
- \* Input Voltage Varies From -0.25V to +1.5V
- \* Supply Current: 80µA
- \* Output Voltage Varies from 0.01V to 2.69V
- \* Gain Bandwidth: 1.2MHz
- \* Slew Rate: 1.5V/µs
- \* Fully Specified at +2.7V and +5V Supplies
- \* Operating Temperature Range: -40°C ~ +125°C
- \* Halogen Free

#### ORDERING INFORMATION

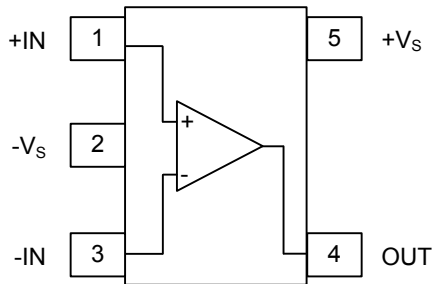
Ordering Number	Package	Packing
LLV321G-AL5-R	SOT-353	Tape Reel

<p>LLV321G-AL5-R</p> <ul style="list-style-type: none"> <li>(1) Packing Type</li> <li>(2) Package Type</li> <li>(3) Halogen Free</li> </ul>	<ul style="list-style-type: none"> <li>(1) R: Tape Reel</li> <li>(2) AL5: SOT-353</li> <li>(3) G: Halogen Free</li> </ul>
---	---

#### MARKING



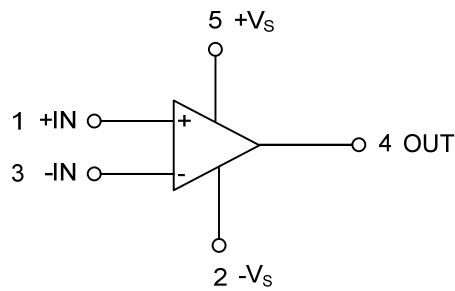
### ■ PIN CONFIGURATION



### ■ PIN DESCRIPTION

PIN NO.	PIN NAME	DESCRIPTION
1	+IN	Positive Input
2	-V <sub>s</sub>	Negative Supply Voltage
3	-IN	Negative Input
4	OUT	Output
5	+V <sub>s</sub>	Positive Supply Voltage

### ■ LOGIC SYMBOL



### ■ ABSOLUTE MAXIMUM RATING

PARAMETER	SYMBOL	RATINGS	UNIT
Input Voltage	$V_I$	$-V_S-0.5\sim+V_S+0.5$	V
Supply Voltages	$V_S$	0~+6	V
Maximum Junction Temperature	$T_J$	+175	°C
Storage Temperature Range	$T_{STG}$	-65~+150	°C

Note: Absolute maximum ratings are those values beyond which the device could be permanently damaged.  
Absolute maximum ratings are stress ratings only and functional device operation is not implied.

### ■ RECOMMENDED OPERATING CONDITIONS

PARAMETER	SYMBOL	RATINGS	UNIT
Power Supply Operating	$V_S$	2.5~5.5	V
Ambient Operating Temperature	$T_{OPR}$	-40~+125	°C

### ■ ELECTRICAL CHARACTERISTICS

( $T_C = 25^\circ\text{C}$ ,  $V_S = +2.7\text{V}$ ,  $G = 2$ ,  $R_L = 10\text{k}\Omega$  to  $V_S/2$ ,  $R_F = 10\text{k}\Omega$ ,  $V_{O(DC)} = V_{CC}/2$ ; unless otherwise specified)

PARAMETER	SYMBOL	TEST CONDITIONS	MIN	TYP	MAX	UNIT
<b>AC Performance</b>						
Gain Bandwidth Product	GBWP	$C_L = 50\text{pF}$ , $R_L = 2\text{k}\Omega$ to $V_S/2$		1.2		MHz
Phase Margin	$\Phi_m$			52		deg
Gain Margin	$G_m$			17		dB
Slew Rate	SR	$V_O = 1V_{PP}$		1.5		V/ $\mu\text{s}$
Input Voltage Noise	$e_n$	>50kHz		36		nV/ $\sqrt{\text{Hz}}$
<b>DC Performance</b>						
Input Offset Voltage (Note 1)	$V_{OS}$			1.7	7	mV
Average Drift	$TCV_{OS}$			8		$\mu\text{V}/^\circ\text{C}$
Input Bias Current (Note 2)	$I_B$			<1		nA
Input Offset Current (Note 2)	$I_{OS}$			<1		nA
Power Supply Rejection Ratio (Note 1)	PSRR	DC	50	65		dB
Supply Current	$I_S$			80	120	$\mu\text{A}$
<b>Input Characteristics</b>						
Input Common Mode Voltage Range (Note 1)	$V_{CML}$	Low	0	-0.25		V
	$V_{CMH}$	High		1.5	1.3	V
Common Mode Rejection Ratio (Note 1)	CMRR		50	70		dB
<b>Output Characteristics</b>						
Output Voltage Swing (Note 1)	$V_{OL}$	$R_L = 10\text{k}\Omega$ to $V_S/2$ ; Low	0.1	0.01		V
	$V_{OH}$	$R_L = 10\text{k}\Omega$ to $V_S/2$ ; High		2.69	2.6	V

Note: 1. Guaranteed by testing or statistical analysis at +25°C.

2. +IN and -IN are gates to CMOS transistors with typical input bias current of <1nA. CMOS leakage is too small to practically measure.

3. Min/Max ratings are based on product characterization and simulation. Individual parameters are tested as noted. Outgoing quality levels are determined from tested parameters.

### ■ ELECTRICAL CHARACTERISTICS (Cont.)

( $T_C = 25^\circ\text{C}$ ,  $V_S = +5\text{V}$ ,  $G = 2$ ,  $R_L = 10\text{k}\Omega$  to  $V_S/2$ ,  $R_F = 10\text{k}\Omega$ ,  $V_{O(DC)} = V_{CC}/2$ ; unless otherwise specified)

PARAMETER	SYMBOL	TEST CONDITIONS	MIN	TYP	MAX	UNIT
<b>AC Performance</b>						
Gain Bandwidth Product	GBWP	$C_L = 50\text{pF}$ , $R_L = 2\text{k}\Omega$ to $V_S/2$		1.4		MHz
Phase Margin	$\Phi_m$			73		deg
Gain Margin	$G_m$			12		dB
Slew Rate	SR			1.5		V/ $\mu\text{s}$
Input Voltage Noise	en	>50kHz		33		nV/ $\sqrt{\text{Hz}}$
<b>DC Performance</b>						
Input Offset Voltage (Note 1)	$V_{OS}$			1	7	mV
Average Drift	$TCV_{OS}$			6		$\mu\text{V}/^\circ\text{C}$
Input Bias Current (Note 2)	$I_B$			<1		nA
Input Offset Current (Note 2)	$I_{OS}$			<1		nA
Power Supply Rejection Ratio (Note 1)	PSRR	DC	50	65		dB
Open Loop Gain (Note 1)	$A_v$		50	70		dB
Supply Current	$I_S$			100	150	$\mu\text{A}$
<b>Input Characteristics</b>						
Input Common Mode Voltage Range (Note 1)	$V_{CML}$	Low	0	-0.4		V
	$V_{CMH}$	High		3.8	3.6	V
Common Mode Rejection Ratio (Note 1)	CMRR		50	75		dB
<b>Output Characteristics</b>						
Output Voltage Swing	$V_O$	$R_L = 2\text{k}\Omega$ to $V_S/2$ ; Low/High		0.036~4.95		V
	$V_{OL}$	$R_L = 10\text{k}\Omega$ to $V_S/2$ ; Low (Note 1)	0.1	0.013		V
	$V_{OH}$	$R_L = 10\text{k}\Omega$ to $V_S/2$ ; High (Note 1)		4.98	4.9	V
Short Circuit Output Current (Note 1)	$I_o$	Sourcing; $V_O=0\text{V}$	5	+34		mA
	$I_o$	Sinking; $V_O=5\text{V}$	10	-23		mA

Note: 1. Guaranteed by testing or statistical analysis at  $+25^\circ\text{C}$ .

2. +IN and -IN are gates to CMOS transistors with typical input bias current of <1nA. CMOS leakage is too small to practically measure.

3. Min/max ratings are based on product characterization and simulation. Individual parameters are tested as noted. Outgoing quality levels are determined from tested parameters.

## ■ APPLICATION INFORMATION

### General Description

The UTC **LLV321** is a low cost, single supply, low voltage and voltage feedback amplifier which is characterized a rail- to- rail output. It is designed to operate on a CMOS process, and is unity gain stable. Figure 1 shows the typical non-inverting circuit schematic

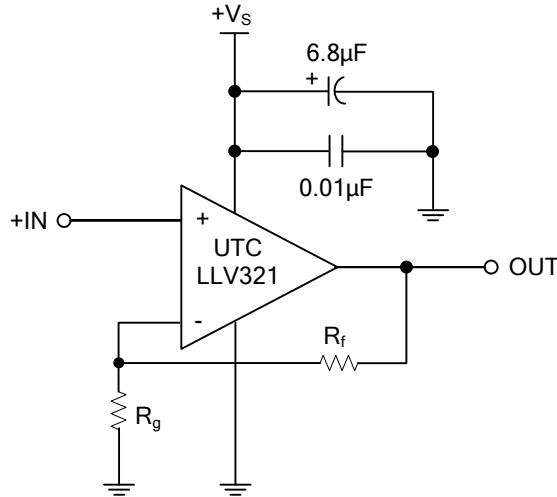


Figure 1. Typical Non-Inverting Configuration

### Power Dissipation

For the UTC **LLV321**, the maximum internal power dissipation is directly depending on the maximum junction temperature. If the maximum junction temperature is higher than 150°C, some performances are declined. If the maximum junction temperature becomes higher than 175°C for an extended time, device failure may be cause.

### Driving Capacitive Loads

In figure 2, a small series resistance ( $R_s$ ) at the output of the amplifier, will improve stability and settling performance. Driving a capacitive load introduces phase-lag into the output signal, which reduces phase margin in the amplifier. The unity gain follower is the most sensitive configuration. In a unity gain follower configuration, the UTC **LLV321** requires a 450Ω series resistor to drive a 200pF load. The response is as seen in TYPICAL CHARACTERISTIC.

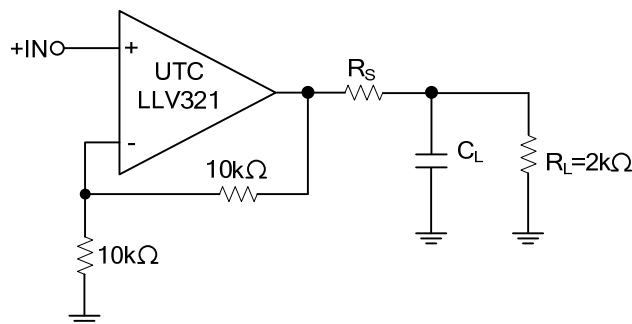
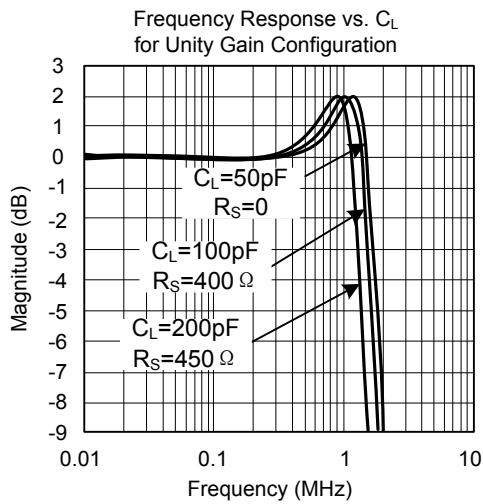
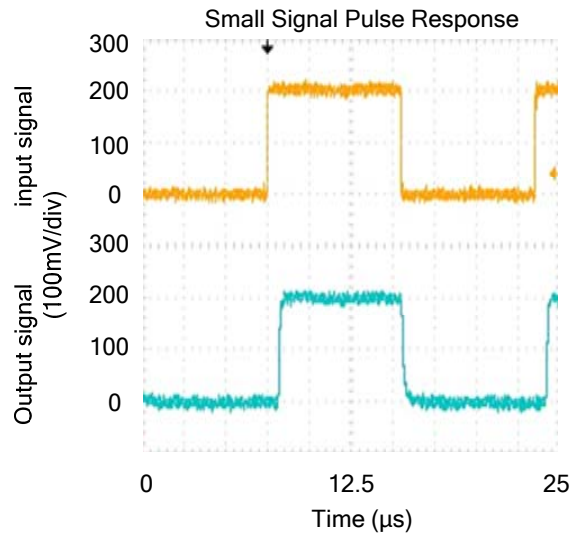
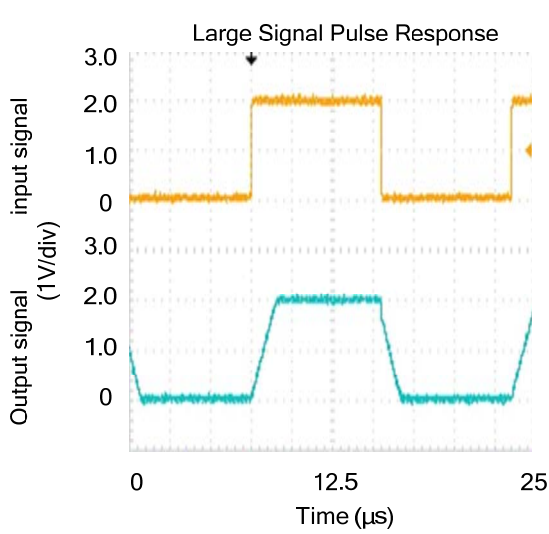


Figure 2. Typical Topology for Driving a Capacitive Load

## ■ TYPICAL CHARACTERISTIC



UTC assumes no responsibility for equipment failures that result from using products at values that exceed, even momentarily, rated values (such as maximum ratings, operating condition ranges, or other parameters) listed in products specifications of any and all UTC products described or contained herein. UTC products are not designed for use in life support appliances, devices or systems where malfunction of these products can be reasonably expected to result in personal injury. Reproduction in whole or in part is prohibited without the prior written consent of the copyright owner. The information presented in this document does not form part of any quotation or contract, is believed to be accurate and reliable and may be changed without notice.