

INTEGRATED MODULAR JACK

10/100/1000 Gigabit Ethernet RJ45 Dual USB A Combo

Meets IEEE 802.3 specification
LAN interface suitable for 10/100/1000 Base-TX applications
350 uH minimum OCL with 8mA bias current
USB module complies with USB 2.0 standards
RJ45 connection meets CAT3, 5e and 6 Fast Ethernet
Available with or without LEDs
Minimum 1500Vrms isolation per IEEE802.3 requirement
Operating temperature 0°C to +70°C
Storage temperature -40°C to +85°C

Patent No.:

Taiwan - M243821, file94221170,
China - ZL03252694.6
U.S.A. - 6,811,442 B1
Japan - 31188754
Germany - 20 2005 016 971.4

TRANSFORMER ELECTRICAL SPECIFICATIONS AT 25°C

Part Number	Data Rate	Turns Ratio	LEDs	Insertion Loss (dB max.)	Return Loss 100Ω±15Ω (dB min.)			Cross talk (dB min.)			C.M.R. (dB min.)		Hi - po (Vrms
		TX / RX	(L/R)	1-125 MHz	1 -30 MHz	30-60 MHz	60-80 MHz	1-30 MHz	30-60 MHz	60-100 MHz	1 -60 MHz	60-100 MHz	60Hz/1mi
G27US-310339A	10/100/1000	1CT:1	GO / Y	-1.2	-18	-16	-12	-40	-35	-30	-40	-30	1500
G27UX-21026EA	10/100/1000	1CT:1	G / GY	-1.2	-18	-16	-12	-40	-35	-30	-40	-30	1500

NOTES : 1. LEDs Left / Right G=green, Y=yellow, O=orange
2. C.M.R. = Common Mode Rejection

MATERIAL SPECIFICATION

Metal Shell : Copper Alloy , Finish: 50u" Nickel
Back Cover : Copper Alloy , Finish: 50u" Nickel
Housing : Thermoplastic , UL 94V-0, Color Black
Bottom Base : Nylon PA46, UL 94V-0, Color Black
Terminal / Copper Alloy t=0.40x0.50mm Thickness
100u" Tin-Lead on Solder, Both over 50u" Nickel Under-Plated
Insert : Thermoplastic , UL 94V-0, Color Black
Terminal / Phosphor Bronze
15u" Gold on Contact Area, 100u" Tin on Solder, Both over 50u" Nickel Under-Plated
Coil Base : Phenolic , UL 94V-0, Color Black



RoHS Compliant

NOTE : Specifications subject to change without notice. Please check our website for latest information.

12.05.2008



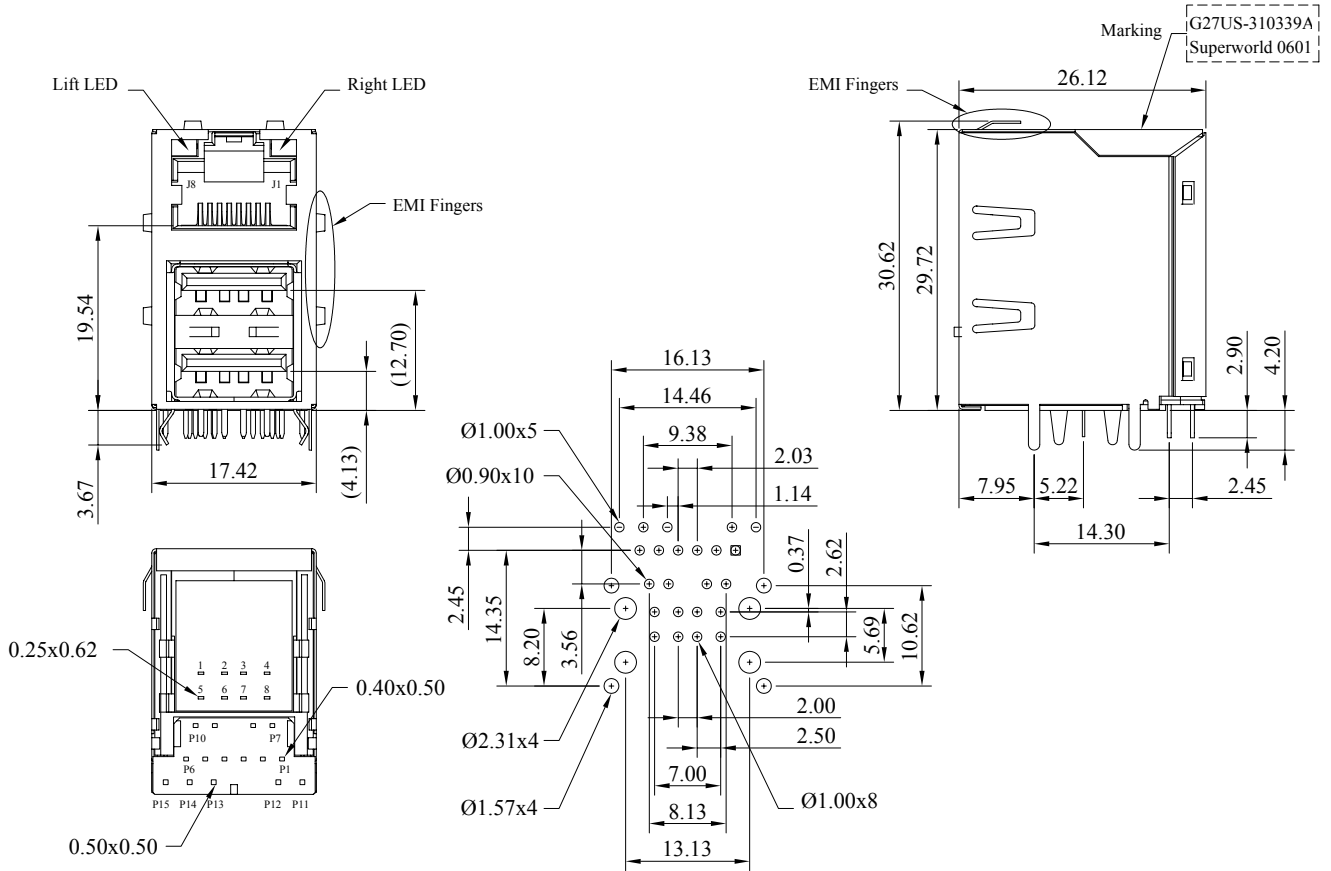
SUPERWORLD ELECTRONICS (S) PTE LTD

PG. 1

INTEGRATED MODULAR JACK

10/100/1000 Gigabit Ethernet RJ45 Dual USB A Combo

MECHANICAL : G27US-310339A



Suggested PCB Pad Layout
Component Side View

- NOTES : 1. Tolerance : PCB $\pm 0.05\text{mm}$
 Connector $\pm 0.25\text{mm}$
 2. Connector dimensions comply with FCC 68.5 dimension requirements



RoHS Compliant

NOTE : Specifications subject to change without notice. Please check our website for latest information.

12.05.2008

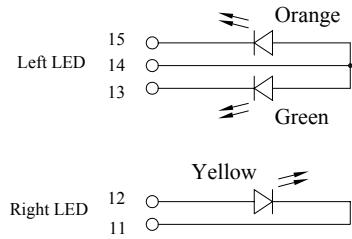
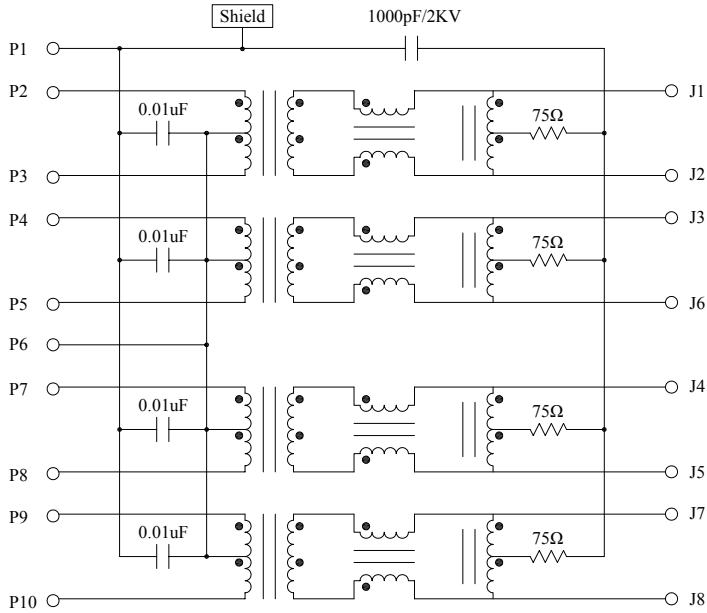


SUPERWORLD ELECTRONICS (S) PTE LTD

INTEGRATED MODULAR JACK

10/100/1000 Gigabit Ethernet RJ45 Dual USB A Combo

SCHEMATIC



LED CONFIGURATION

Standard LED	Wavelength(λ)	V / IF=20mA	
		max.	typ.
Yellow	585nm	2.5 V	2.1 V
Green	570nm	2.5 V	2.1 V
Orange	605nm	2.5 V	2.1 V



RoHS Compliant

NOTE : Specifications subject to change without notice. Please check our website for latest information.

12.05.2008

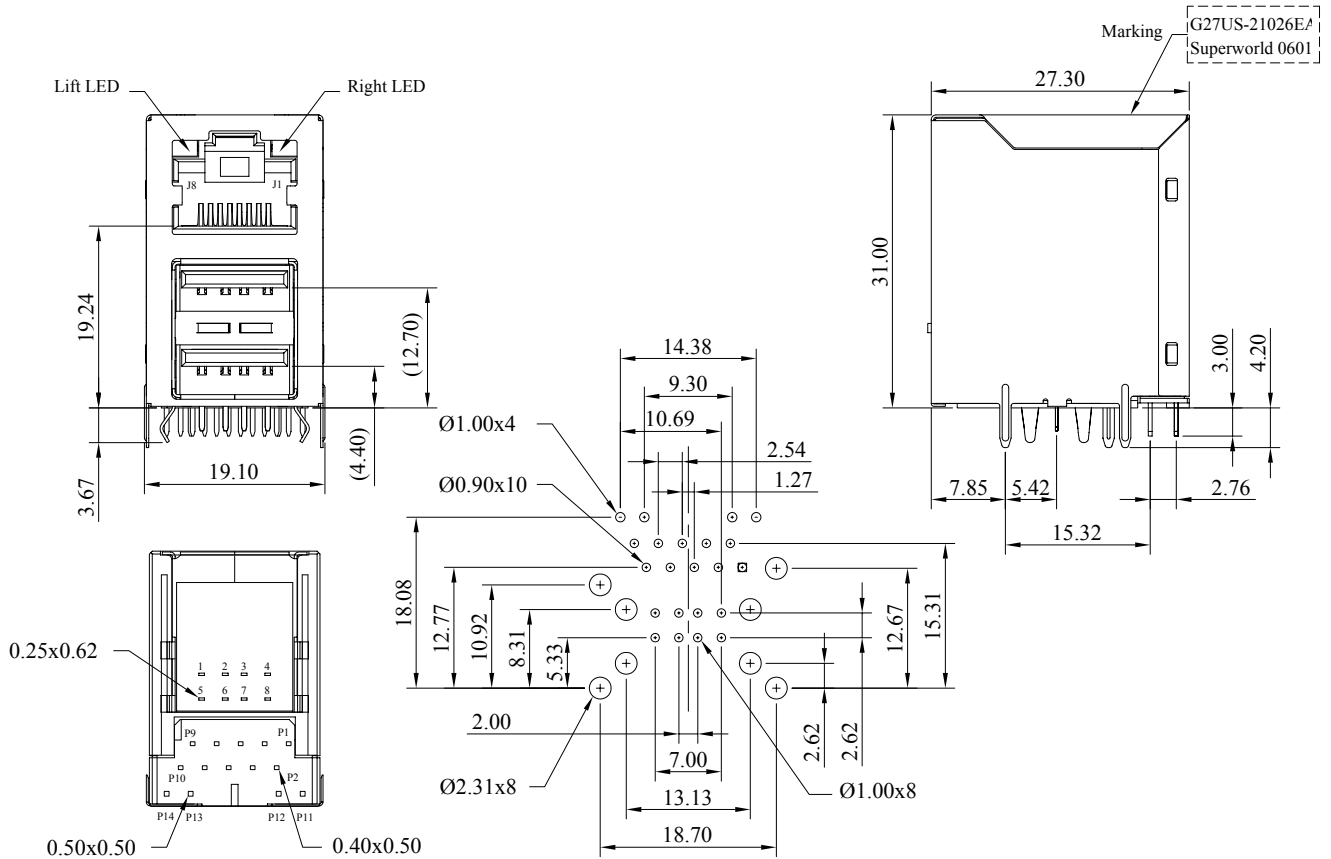


SUPERWORLD ELECTRONICS (S) PTE LTD

INTEGRATED MODULAR JACK

10/100/1000 Gigabit Ethernet RJ45 Dual USB A Combo

MECHANICAL : G27UX-21026EA



Suggested PCB Pad Layout
Component Side View

- NOTES : 1. Tolerance : PCB $\pm 0.05\text{mm}$
 Connector $\pm 0.25\text{mm}$
 2. Connector dimensions comply with FCC 68.5 dimension requirements



RoHS Compliant

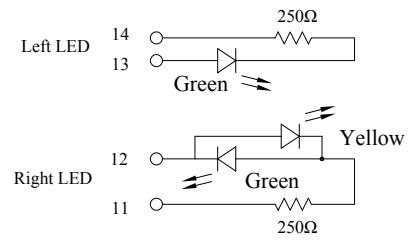
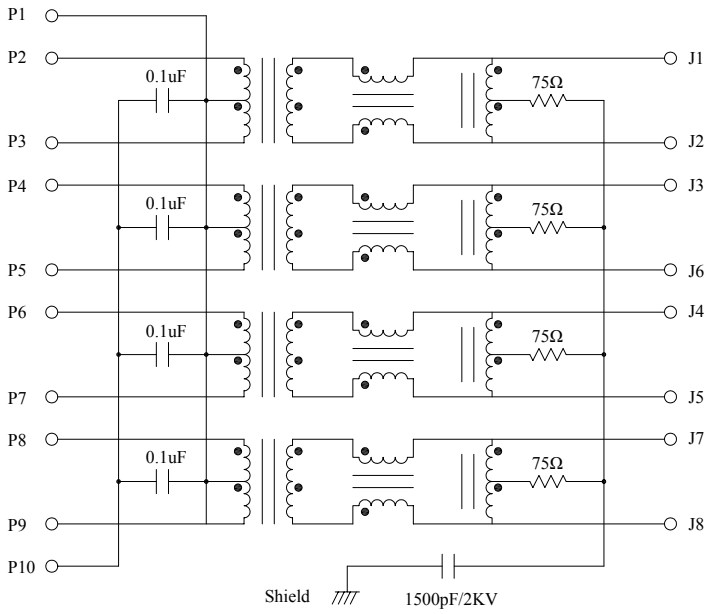
NOTE : Specifications subject to change without notice. Please check our website for latest information.

12.05.2008



SUPERWORLD ELECTRONICS (S) PTE LTD

SCHEMATIC



LED CONFIGURATION

Standard LED	Wavelength(λ)	V / IF=20mA	
		max.	typ.
Yellow	585nm	2.5 V	2.1 V
Green	570nm	2.5 V	2.1 V
Orange	605nm	2.5 V	2.1 V

NOTE : Specifications subject to change without notice. Please check our website for latest information.



RoHS Compliant

12.05.2008

