

**PLEASE CHECK WWW.MOLEX.COM FOR LATEST PART INFORMATION**

**Part Number:** [0879331217](#)  
**Status:** **Active**  
**Description:** 1.27mm (.050") Pitch Wire-to-Board Header, Dual Row, SMT, Vertical, 100 Circuits, 0.76µm (30µ") Gold (Au) Plating, Mating Pin Length 3.05mm (0.120"), with Cap, without Peg, Tube Packaging, Lead-free

**Documents:**

[3D Model](#) [Product Specification PS-87933-001 \(PDF\)](#)  
[Drawing \(PDF\)](#) [RoHS Certificate of Compliance \(PDF\)](#)

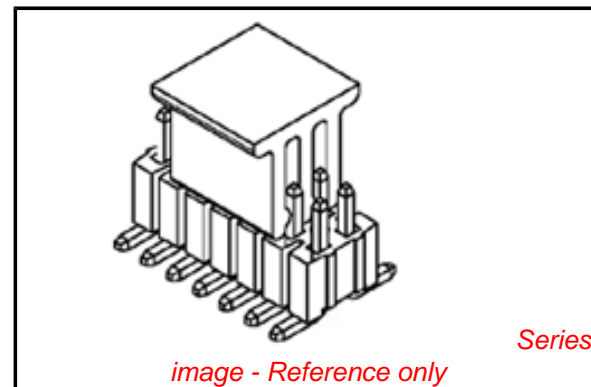
**General**

Product Family	PCB Headers
Series	<a href="#">87933</a>
Application	Wire-to-Board
Comments	With Cap
Product Name	N/A

**Physical**

Breakaway	Yes
Circuits (Loaded)	100
Circuits (maximum)	100
Color - Resin	Black
Durability (mating cycles max)	100
First Mate / Last Break	No
Glow-Wire Compliant	No
Guide to Mating Part	No
Keying to Mating Part	None
Lock to Mating Part	No
Mated Height (in)	0.120 In
Mated Height (mm)	3.05 mm
Material - Metal	Copper Alloy
Material - Plating Mating	Gold
Material - Plating Termination	Tin
Material - Resin	High Temperature Thermoplastic
Number of Rows	2
Orientation	Vertical
PCB Locator	No
PCB Retention	None
Packaging Type	Tube
Pitch - Mating Interface (in)	0.050 In
Pitch - Mating Interface (mm)	1.27 mm
Pitch - Term. Interface (in)	0.050 In
Pitch - Term. Interface (mm)	1.27 mm
Plating min: Mating (µin)	30
Plating min: Mating (µm)	0.76
Plating min: Termination (µin)	80
Plating min: Termination (µm)	2.03
Polarized to Mating Part	No
Polarized to PCB	No
Robotic Placement	Pick and Place Cap
Shrouded	No
Stackable	No
Temperature Range - Operating	-55°C to +105°C
Termination Interface: Style	Surface Mount

**Electrical**



*image - Reference only*

**EU RoHS**

**ELV and RoHS  
Compliant**  
**REACH SVHC  
Not Reviewed**  
**Halogen-Free  
Status**

**China RoHS**



**Need more information on product  
environmental compliance?**

Email [productcompliance@molex.com](mailto:productcompliance@molex.com)  
 For a multiple part number RoHS Certificate of Compliance, [click here](#)

Please visit the [Contact Us](#) section for any non-product compliance questions.

**Search Parts in this Series**

[87933Series](#)

**Mates With**

[78120 Wire-to-Board Receptacles](#)

Current - Maximum per Contact	1.75A
Voltage - Maximum	125V

**Material Info**

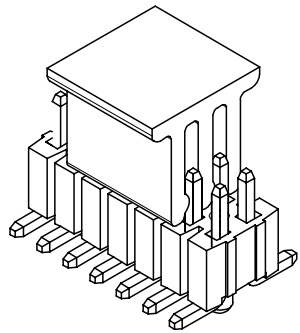
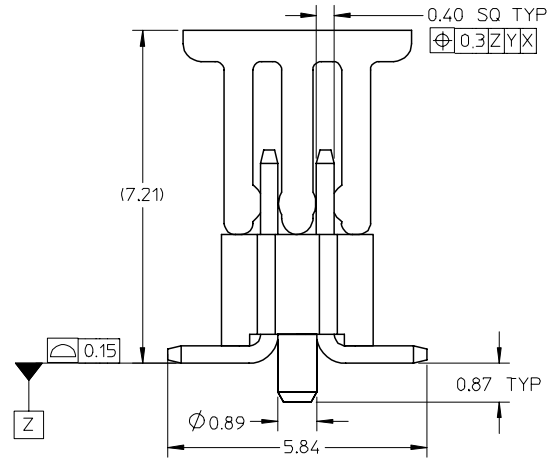
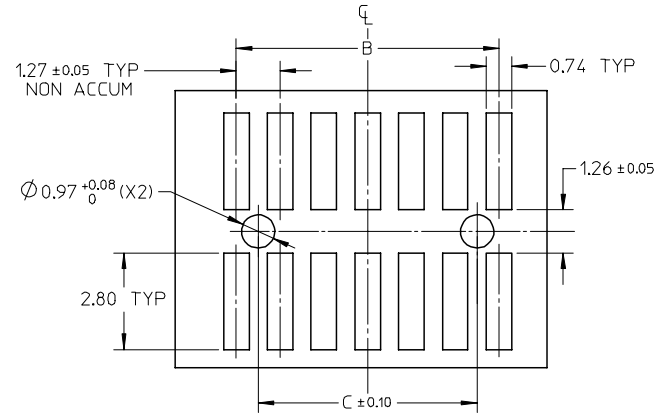
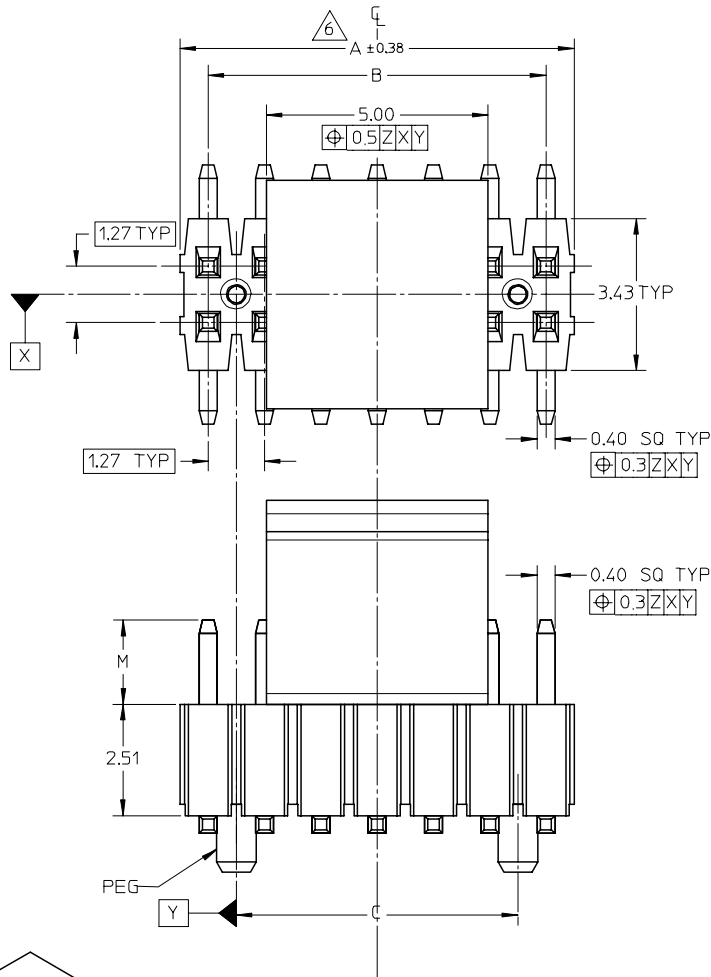
**Reference - Drawing Numbers**

Product Specification	PS-87933-001
Sales Drawing	SD-87933-014

This document was generated on 03/29/2010

**PLEASE CHECK [WWW.MOLEX.COM](http://WWW.MOLEX.COM) FOR LATEST PART INFORMATION**

10 9 8 7 6 5 4 3 2 1



ADD. OPTION	2007/10/10
EC NO: S2008-0216	2007/10/11
DRWN: CWLAM	2007/10/11
CHKD: KWLEE	2007/10/29
APPR: KWLEE	

QUALITY SYMBOLS	DESCRIPTION
▽=0	
∇=0	

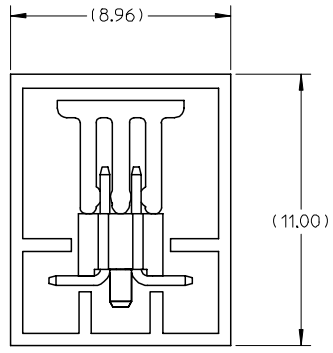
GENERAL TOLERANCES (UNLESS SPECIFIED)	
	mm
4 PLACES	± ---
3 PLACES	± ---
2 PLACES	± 0.20
1 PLACE	± ---
ANGULAR ± 3 °	
DRAFT WHERE APPLICABLE MUST REMAIN WITHIN DIMENSIONS	

DIMENSION STYLE	
MM ONLY	
DRAWN BY	DATE
LNK	2006/02/14
CHECKED BY	DATE
BOKOK	2006/03/27
APPROVED BY	DATE
PTL IM	2006/03/29
MATERIAL NO.	
SEE TABLE	

SCALE	DESIGN UNITS	THIRD ANGLE PROJECTION
NTS	METRIC	
1.27MM PITCH SMT HEADER WITH PEG AND CAP PACKED IN TUBE		
MOLEX INCORPORATED		
DOCUMENT NO.	SHEET NO.	
SD-87933-014	1 OF 5	

9 8 7 6 5 4 3 2 1

CKT. SIZE	DIMENSION		
	A	B	C
10	6.35	5.08	3.81
20	12.70	11.43	10.16
30	19.05	17.78	16.51
40	25.40	24.13	22.86
50	31.75	30.48	29.21
60	38.10	36.83	35.56
68	43.18	41.91	40.64
70	44.45	43.18	41.91
80	50.80	49.53	48.26
90	57.15	55.88	54.61
100	63.50	62.23	60.96



PART W/PEG & CAP  
PACKED IN TUBE

- NOTE:
- MATERIAL: HOUSING: LCP GLASS FILLED,  
COLOR: BLACK  
TERMINAL: COPPER ALLOY
  - PIN PUSHOUT FORCE: 0.4KG MIN. IN EITHER DIRECTION.
  - PLATING FINISH:
    - 2 MNCH MIN. GOLD FLASH OVERALL,  
50 MNCH MIN. NICKEL UNDERPLATED
    - 100 MNCH MIN. TIN OVERALL,  
50 MNCH MIN. NICKEL UNDERPLATED
    - 30 MNCH MIN. GOLD PLATE IN SELECTED AREA AND  
80 MNCH MIN. TIN IN SELECTED AREA OVER,  
50 MNCH MIN. NICKEL UNDERPLATED
    - 15 MNCH MIN. GOLD PLATE IN SELECTED AREA AND  
80 MNCH MIN. TIN IN SELECTED AREA OVER,  
50 MNCH MIN. NICKEL UNDERPLATED
  - THE ABOVE 14 CKT SHOWN IS FOR ILLUSTRATION ONLY.
  - PARTS TO BE PACKED IN TUBE.
  - POSITION OF CAP TO BE LOCATED AT THE CENTER OF DIMENSION (A) REGARDLESS OF CIRCUIT SIZE
  - IRREGULAR CIRCUIT CUTOFF WITHIN BREAKAWAY SECTION IS PERMISSIBLE. CUTTING OR CHIPPING OF THE MAIN BODY IS NOT ACCEPTABLE.
  - PACKAGING SPECIFICATION REFER TO  
TUBE : PK-89990-565

ADD. OPTION EC NO: S2008-0216 2007/10/10 DRWN: CWLAM CHKD: KWLEE 2007/10/11 APPR: KWLEE 2007/10/29	QUALITY SYMBOLS	GENERAL TOLERANCES (UNLESS SPECIFIED)	DIMENSION STYLE MM ONLY	SCALE NTS	DESIGN UNITS METRIC	THIRD ANGLE PROJECTION
	▽=0 ∇=0	4 PLACES ± --- ± --- 3 PLACES ± --- ± --- 2 PLACES ± 0.20 ± --- 1 PLACE ± --- ± --- ANGULAR ± 3 °	DRAWN BY LNG DATE 2006/02/14	TITLE 1.27MM PITCH SMT HEADER WITH PEG AND CAP PACKED IN TUBE	MOLEX INCORPORATED	
		DRAFT WHERE APPLICABLE MUST REMAIN WITHIN DIMENSIONS	APPROVED BY PTL IM DATE 2006/03/29	DOCUMENT NO. SD-87933-014	SHEET NO. 2 OF 5	
	A2		SIZE A3	THIS DRAWING CONTAINS INFORMATION THAT IS PROPRIETARY TO MOLEX INCORPORATED AND SHOULD NOT BE USED WITHOUT WRITTEN PERMISSION		

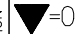
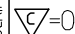
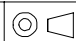
	10	9	8	7	6	5	4	3	2	1					
F	P/N WITH CAP PACKED IN TUBE	PEG	CKT SIZE	PLATING OPTIONS	DIM. M	P/N WITH CAP PACKED IN TUBE	PEG	CKT SIZE	PLATING OPTIONS	DIM. M	P/N WITH CAP PACKED IN TUBE	PEG	CKT SIZE	PLATING OPTIONS	DIM. M
		87933-1007	N	10	1	1.65	87933-2007	N	20	1	1.65	87933-3007	N	30	1
	87933-1008	N	10	2	1.65	87933-2008	N	20	2	1.65	87933-3008	N	30	2	1.65
	87933-1009	N	10	3	1.65	87933-2009	N	20	3	1.65	87933-3009	N	30	3	1.65
	87933-1010	N	10	4	1.65	87933-2010	N	20	4	1.65	87933-3010	N	30	4	1.65
E	87933-1011	N	10	1	1.91	87933-2011	N	20	1	1.91	87933-3011	N	30	1	1.91
	87933-1012	N	10	2	1.91	87933-2012	N	20	2	1.91	87933-3012	N	30	2	1.91
	87933-1013	N	10	3	1.91	87933-2013	N	20	3	1.91	87933-3013	N	30	3	1.91
	87933-1014	N	10	4	1.91	87933-2014	N	20	4	1.91	87933-3014	N	30	4	1.91
	87933-1015	N	10	1	3.05	87933-2015	N	20	1	3.05	87933-3015	N	30	1	3.05
D	87933-1016	N	10	2	3.05	87933-2016	N	20	2	3.05	87933-3016	N	30	2	3.05
	87933-1017	N	10	3	3.05	87933-2017	N	20	3	3.05	87933-3017	N	30	3	3.05
	87933-1018	N	10	4	3.05	87933-2018	N	20	4	3.05	87933-3018	N	30	4	3.05

C	P/N WITH CAP PACKED IN TUBE	PEG	CKT SIZE	PLATING OPTIONS	DIM. M
		87933-4007	N	40	1
	87933-4008	N	40	2	1.65
	87933-4009	N	40	3	1.65
	87933-4010	N	40	4	1.65
B	87933-4011	N	40	1	1.91
	87933-4012	N	40	2	1.91
	87933-4013	N	40	3	1.91
	87933-4014	N	40	4	1.91
A	87933-4015	N	40	1	3.05
	87933-4016	N	40	2	3.05
	87933-4017	N	40	3	3.05
	87933-4018	N	40	4	3.05

<b>ADD. OPTION</b> EC NO: S2008-0216 DRWN: CWLAM CHKD: KWLEE APPR: KWLEE	<b>QUALITY SYMBOLS</b> =0 =0	<b>GENERAL TOLERANCES (UNLESS SPECIFIED)</b>		<b>DIMENSION STYLE</b> MM ONLY		<b>SCALE</b> NTS	<b>DESIGN UNITS</b> METRIC	<b>THIRD ANGLE PROJECTION</b>			
				DRAWN BY DATE BOKOK 2006/02/14		<b>TITLE</b> 1.27MM PITCH SMT HEADER WITH PEG AND CAP PACKED IN TUBE					
				CHECKED BY DATE BOKOK 2006/03/27		<b>MATERIAL NO.</b> PTL IM 2006/03/29				<b>DOCUMENT NO.</b> MOLEX INCORPORATED	
				APPROVED BY DATE PTL IM 2006/03/29		<b>SIZE</b> SEE TABLE		<b>SHEET NO.</b> SD-87933-014		3 OF 5	
<b>DRAFT WHERE APPLICABLE MUST REMAIN WITHIN DIMENSIONS</b>						THIS DRAWING CONTAINS INFORMATION THAT IS PROPRIETARY TO MOLEX INCORPORATED AND SHOULD NOT BE USED WITHOUT WRITTEN PERMISSION					

	10	9	8	7	6	5	4	3	2	1					
	P/N WITH CAP PACKED IN TUBE	PEG	CKT SIZE	PLATING OPTIONS	DIM. M	P/N WITH CAP PACKED IN TUBE	PEG	CKT SIZE	PLATING OPTIONS	DIM. M	P/N WITH CAP PACKED IN TUBE	PEG	CKT SIZE	PLATING OPTIONS	DIM. M
F	87933-5007	Y	50	1	1.65	87933-6007	N	60	1	1.65	87933-6807	N	68	1	1.65
	87933-5008	Y	50	2	1.65	87933-6008	N	60	2	1.65	87933-6808	N	68	2	1.65
	87933-5009	Y	50	3	1.65	87933-6009	N	60	3	1.65	87933-6809	N	68	3	1.65
	87933-5010	Y	50	4	1.65	87933-6010	N	60	4	1.65	87933-6810	N	68	4	1.65
	87933-5011	Y	50	1	1.91	87933-6011	N	60	1	1.91	87933-6811	N	68	1	1.91
E	87933-5012	Y	50	2	1.91	87933-6012	N	60	2	1.91	87933-6812	N	68	2	1.91
	87933-5013	Y	50	3	1.91	87933-6013	N	60	3	1.91	87933-6813	N	68	3	1.91
	87933-5014	Y	50	4	1.91	87933-6014	N	60	4	1.91	87933-6814	N	68	4	1.91
	87933-5015	Y	50	1	3.05	87933-6015	N	60	1	3.05	87933-6815	N	68	1	3.05
	87933-5016	Y	50	2	3.05	87933-6016	N	60	2	3.05	87933-6816	N	68	2	3.05
D	87933-5017	Y	50	3	3.05	87933-6017	N	60	3	3.05	87933-6817	N	68	3	3.05
	87933-5018	Y	50	4	3.05	87933-6018	N	60	4	3.05	87933-6818	N	68	4	3.05

	P/N WITH CAP PACKED IN TUBE	PEG	CKT SIZE	PLATING OPTIONS	DIM. M
C	87933-7007	N	70	1	1.65
	87933-7008	N	70	2	1.65
	87933-7009	N	70	3	1.65
	87933-7010	N	70	4	1.65
	87933-7011	N	70	1	1.91
B	87933-7012	N	70	2	1.91
	87933-7013	N	70	3	1.91
	87933-7014	N	70	4	1.91
	87933-7015	N	70	1	3.05
A	87933-7016	N	70	2	3.05
	87933-7017	N	70	3	3.05
	87933-7018	N	70	4	3.05

<b>ADD. OPTION</b> EC NO: S2008-0216 DRWN: CWLAM CHKD: KWLEE APPR: KWLEE	<b>QUALITY SYMBOLS</b>  = 0  = 0.20	<b>GENERAL TOLERANCES (UNLESS SPECIFIED)</b>		<b>DIMENSION STYLE</b> MM ONLY		<b>SCALE</b> NTS	<b>DESIGN UNITS</b> METRIC	 <b>THIRD ANGLE PROJECTION</b>	
				DRAWN BY DATE BOKOK 2006/02/14		<b>TITLE</b> 1.27MM PITCH SMT HEADER WITH PEG AND CAP PACKED IN TUBE			
				CHECKED BY DATE BOKOK 2006/03/27		<b>MOLEX INCORPORATED</b>			
				APPROVED BY DATE PTL IM 2006/03/29		MATERIAL NO.		DOCUMENT NO. SD-87933-014	
<b>A2</b>		<b>DRAFT WHERE APPLICABLE MUST REMAIN WITHIN DIMENSIONS</b>		<b>SEE TABLE</b>		<b>THIS DRAWING CONTAINS INFORMATION THAT IS PROPRIETARY TO MOLEX INCORPORATED AND SHOULD NOT BE USED WITHOUT WRITTEN PERMISSION</b>			

