

PLEASE CHECK WWW.MOLEX.COM FOR LATEST PART INFORMATION

Part Number: [0446201008](#)
Status: **Active**
Overview: [modular_plugs_jacks](#)
Description: Modular Jack, Right Angle, Low Profile, Inverted, 8/8

Documents:

| | |
|---|--|
| Drawing (PDF) | Application Specification (PDF) |
| Packaging Specification (PDF) | Product Specification PS-43860-003 (PDF) |
| 3D Model | RoHS Certificate of Compliance (PDF) |

Agency Certification

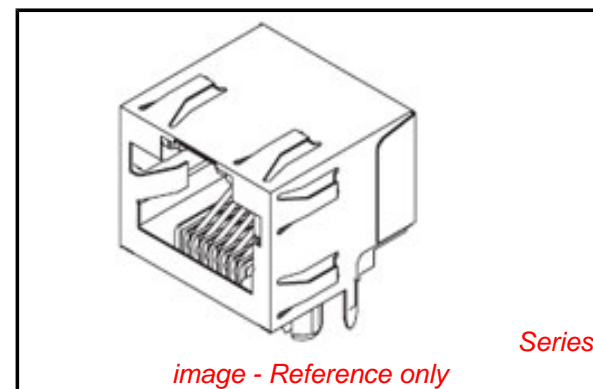
UL E107635

General

| | |
|---------------------------|-------------------------------------|
| Product Family | Modular Jacks/Plugs |
| Series | 44620 |
| Comments | RJ-11 Keepout Feature, Lightpipes |
| Component Type | PCB Jack |
| Magnetic | No |
| Overview | modular_plugs_jacks |
| Performance Category | 3 |
| Power over Ethernet (PoE) | N/A |
| Product Name | RJ45 |

Physical

| | |
|--------------------------------|---|
| Boot Color | N/A |
| Color - Resin | Black, Clear |
| Durability (mating cycles max) | 500 |
| Flammability | 94V-0 |
| Inverted / Top Latch | Yes |
| Keying to Mating Part | None |
| Lightpipes/LEDs | Lightpipes |
| Material - Metal | Brass, Phosphor Bronze |
| Material - Plating Mating | Gold |
| Material - Plating Termination | Tin |
| Material - Resin | High Temperature Thermoplastic, Polysulfone |
| Orientation | Right Angle (Side Entry) |
| PCB Locator | Yes |
| PCB Retention | Yes |
| PCB Thickness Recommended (in) | 0.062 In |
| PCB Thickness Recommended (mm) | 1.57 mm |
| Packaging Type | Tray |
| Panel Mount | Without Flange |
| Pitch - Mating Interface (in) | 0.040 In |
| Pitch - Mating Interface (mm) | 1.02 mm |
| Pitch - Term. Interface (in) | 0.040 In |
| Pitch - Term. Interface (mm) | 1.02 mm |
| Plating min: Mating (µin) | 50 |
| Plating min: Mating (µm) | 1.25 |
| Plating min: Termination (µin) | 100 |
| Plating min: Termination (µm) | 2.5 |
| Ports | 1 |
| Positions / Loaded Contacts | 8/8 |
| Surface Mount Compatible (SMC) | No |
| Temperature Range - Operating | -40°C to +85°C |
| Termination Interface: Style | Through Hole |



EU RoHS

**ELV and RoHS
Compliant**
REACH SVHC
 Not Reviewed
**Halogen-Free
Status**
Not Reviewed

China RoHS



**Need more information on product
environmental compliance?**

Email productcompliance@molex.com
 For a multiple part number RoHS Certificate of
 Compliance, [click here](#)

Please visit the [Contact Us](#) section for any
 non-product compliance questions.

Search Parts in this Series

[44620Series](#)

Mates With

FCC 68 Plugs

| | |
|-------------------------------|-------------------------------|
| Waterproof / Dustproof | No |
| Wire/Cable Type | N/A |
| Electrical | |
| Current - Maximum per Contact | 1.5A |
| Grounding to PCB | Yes |
| Grounding to Panel | With All Panel Grounding Tabs |
| Shielded | Yes |
| Voltage - Maximum | 150V AC (RMS) |

Solder Process Data

| | |
|------------------------------|------------------------|
| Lead-free Process Capability | Wave Capable (TH only) |
|------------------------------|------------------------|

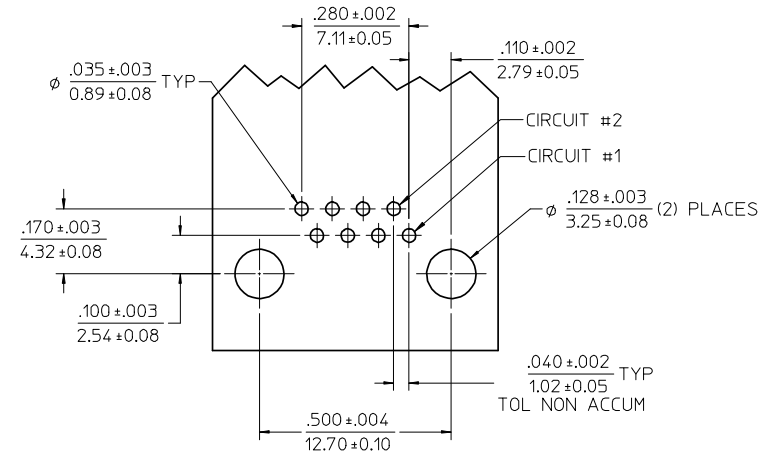
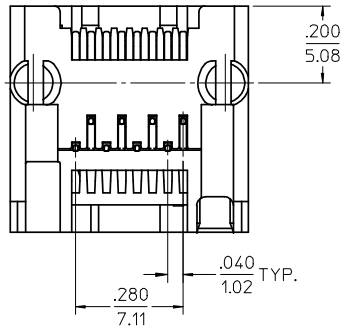
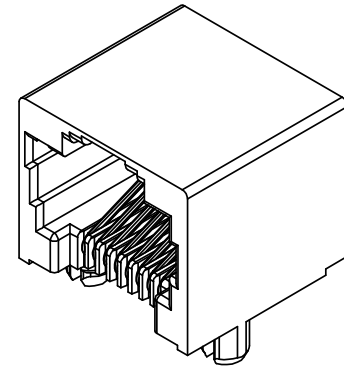
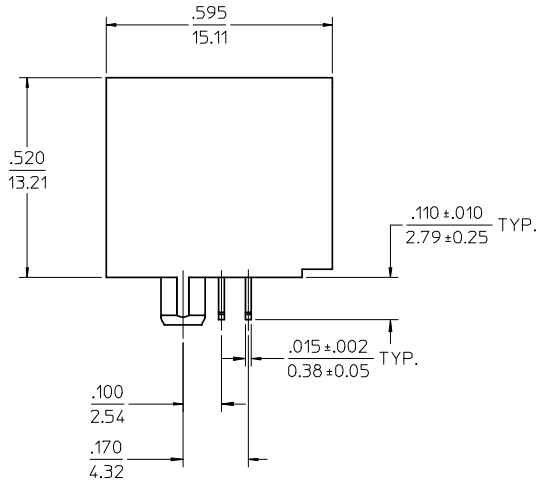
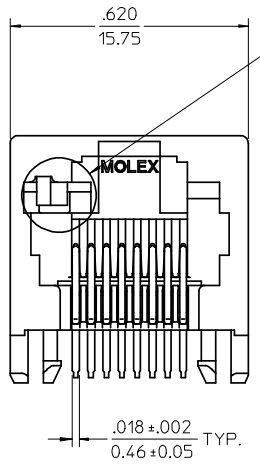
Material Info

Reference - Drawing Numbers

| | |
|---------------------------|---|
| Application Specification | AS-43860-001 |
| Packaging Specification | PK-43860-005 |
| Product Specification | PS-43860-003, RPS-43860-004, RPS-43860-007, RPS-43860-008, RPS-43860-013 |
| Sales Drawing | SD-44620-001 |
| Test Summary | TS-43860-001 |

This document was generated on 05/24/2010

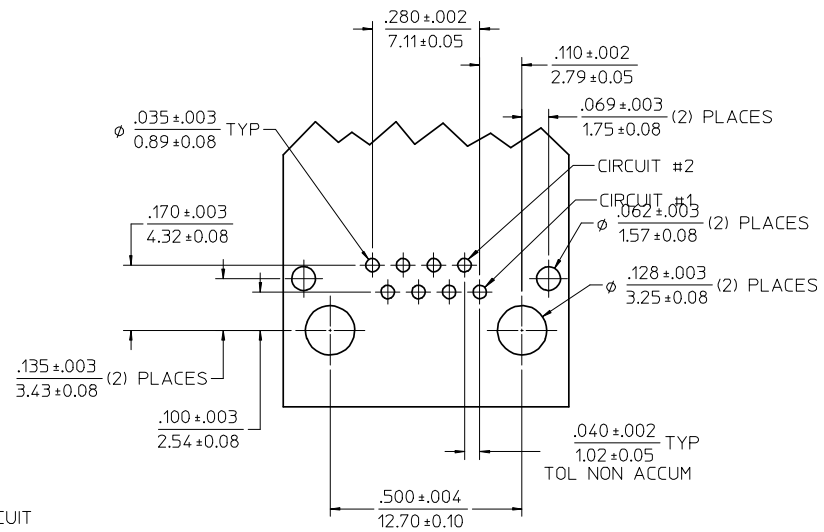
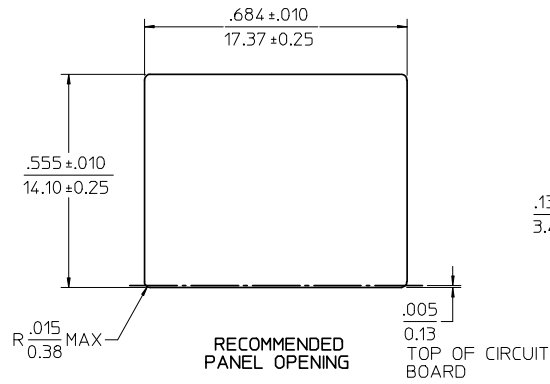
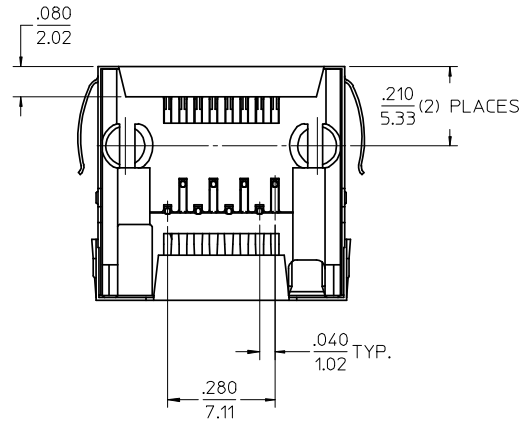
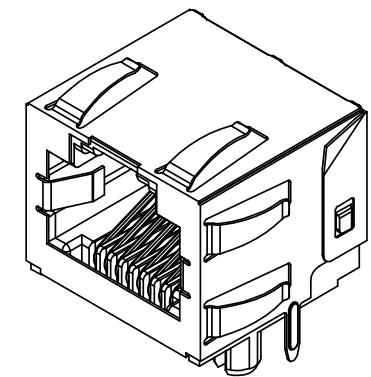
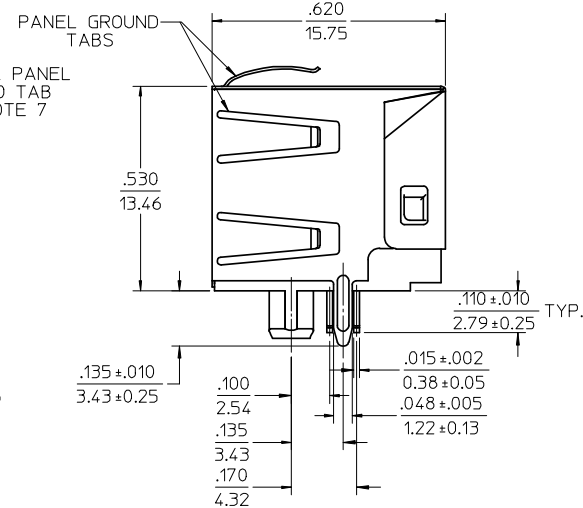
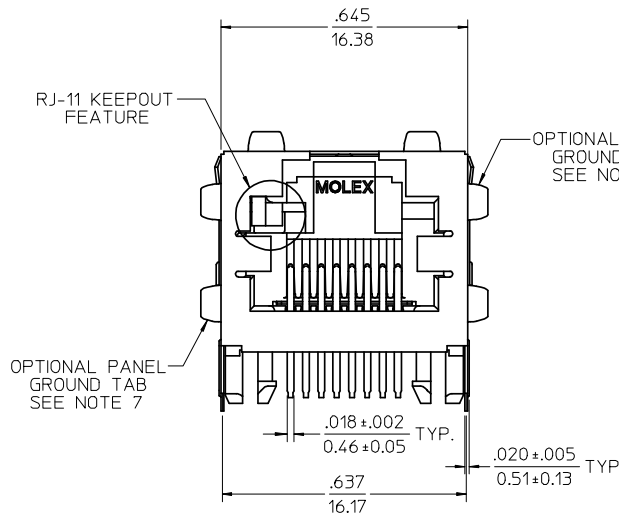
PLEASE CHECK WWW.MOLEX.COM FOR LATEST PART INFORMATION



PC BOARD LAYOUT
COMPONENT SIDE OF BOARD
RECOMMENDED PCB THICKNESS: .062/1.57

- NOTES:
- 1) MATERIAL:
HOUSING: NYLON(PA), GLASS FILLED, UL94V-0, COLOR: BLACK
TERMINALS: PHOSPHOR BRONZE
 - 2) FINISH:
TERMINALS:
SELECT GOLD IN CONTACT AREA: 50 MICROINCHES (1.27 MICROMETERS) MIN.,
*SELECT TIN IN PC TAIL AREA: 100 MICROINCHES (2.54 MICROMETERS) MIN.,
WITH OVERALL NICKEL UNDERPLATE: 50 MICROINCHES (1.27 MICROMETERS) MIN.
*THE PRIMARY SHIPPING CARTON WILL BE LABELED "COMPLIANT TO ROHS DIRECTIVE 2002/95/EC AND ELV ANNEX II OF DIRECTIVE 2000/53/EC".
CARTONS WITHOUT THIS LABEL MAY CONTAIN PRODUCT WITH TIN-LEAD IN THE PC TAILS.
 - 3) PRODUCT SPECIFICATION AND PROCESSING PARAMETERS: PS-43860-003.
 - 4) PACKAGING SPECIFICATION:
CONNECTOR ASSEMBLIES PACKAGED IN EXTRUDED TUBES PER MOLEX PACKAGING SPECIFICATION PK-43860-004.
 - 5) ALL UNTOLERANCED DIMENSIONS ARE SHOWN FOR REFERENCE ONLY.
 - 6) CONFORMS TO FCC REGULATION PART 68.5 FOR MODULAR JACKS.
 - 7) THIS PART CONFORMS TO CLASS B REQUIREMENTS OF COSMETIC SPECIFICATION PS-45499-002.

| | | | | | | | |
|---|---------------------|---|---|--|----------------------------|--------------|---------------------------|
| ADD NOTE 7 EC NO: UCP2008-0965 DRWN: BELL 2007/11/08 CHKD: SCHMIDT 2007/12/04 APPR: FSMITH 2007/12/05 | DESCRIPTION REV: | QUALITY SYMBOLS | GENERAL TOLERANCES (UNLESS SPECIFIED) | DIMENSION STYLE | SCALE | DESIGN UNITS | THIRD ANGLE PROJECTION |
| | | $\nabla=0$ $\nabla=0$ | mm INCH | IN/MM | 4:1 | INCH | MOLEX INCORPORATED |
| | | 4 PLACES ± --- ± --- 3 PLACES ± --- ± --- 2 PLACES ± --- ± --- 1 PLACE ± --- ± --- | DRAWN BY DATE MKAMAR 00/03/07 CHECKED BY DATE MKAMAR 00/03/07 APPROVED BY DATE JROBERTS 00/03/07 | TITLE RJ-45 INVERTED MODULAR JACK ASSEMBLY WITH RJ-11 KEEPUT FEATURE | | | |
| | | DRAFT WHERE APPLICABLE MUST REMAIN WITHIN DIMENSIONS | MATERIAL NO. 446200001 SIZE C | DOCUMENT NO. SD-44620-001 | SHEET NO. 1 OF 4 | | |

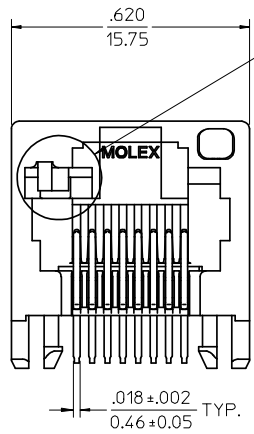


- NOTES:
- MATERIAL:
HOUSING: NYLON(IPA), GLASS FILLED, UL94V-0, COLOR: BLACK
TERMINALS: PHOSPHOR BRONZE
SHIELD: BRASS
 - FINISH:
TERMINALS:
SELECT GOLD IN CONTACT AREA: 50 MICROINCHES (1.27 MICROMETERS) MIN.,
*SELECT TIN IN PC TAIL AREA: 100 MICROINCHES (2.54 MICROMETERS) MIN.,
WITH OVERALL NICKEL UNDERPLATE: 50 MICROINCHES (1.27 MICROMETERS) MIN.
SHIELD:
*100 MICROINCHES (2.54 MICROMETERS) NICKEL OVER 50 MICROINCHES
(1.27 MICROMETERS) COPPER UNDERPLATE, PCB GROUND TABS DIPPED IN TIN
*THE PRIMARY SHIPPING CARTON WILL BE LABELED "COMPLIANT TO ROHS
DIRECTIVE 2002/95/EC AND ELV ANNEX II OF DIRECTIVE 2000/53/EC".
CARTONS WITHOUT THIS LABEL MAY CONTAIN PRODUCT WITH TIN-LEAD
IN THE PC TAILS AND/OR SHIELD.
 - PRODUCT SPECIFICATION AND PROCESSING PARAMETERS: PS-43860-003.
 - PACKAGING SPECIFICATION:
CONNECTOR ASSEMBLIES PACKAGED IN THERMOFORMED TRAYS PER MOLEX
PACKAGING SPECIFICATION PK-43860-005.
 - ALL UNTOLERANCED DIMENSIONS ARE SHOWN FOR REFERENCE ONLY.
 - CONFORMS TO FCC REGULATION PART 68.5 FOR MODULAR JACKS.
 - AVAILABLE WITH THE (2) SPECIFIED PANEL GROUND TABS OMITTED FOR
SIDE TO SIDE STACKABILITY, PER THE ASSEMBLY MATERIAL NUMBER TABLE.
 - THIS PART CONFORMS TO CLASS B REQUIREMENTS OF COSMETIC
SPECIFICATION PS-45499-002.

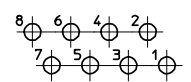
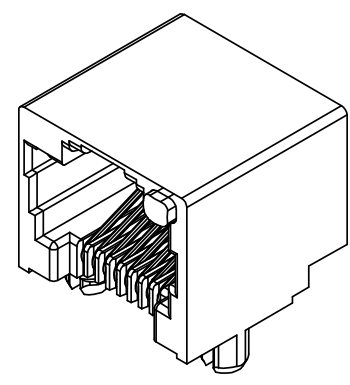
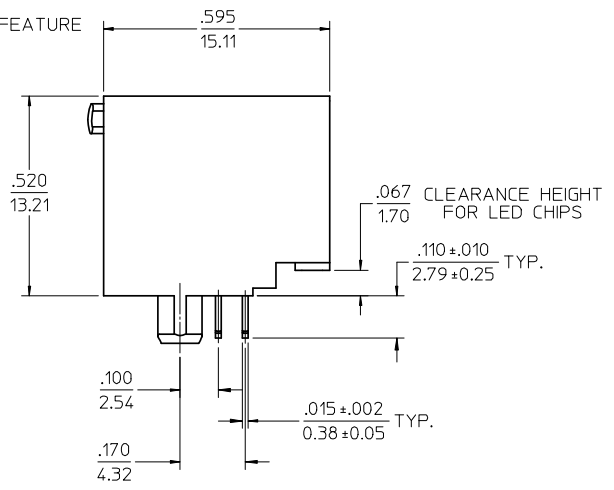
PC BOARD LAYOUT
COMPONENT SIDE OF BOARD
RECOMMENDED PCB THICKNESS: .062/1.57

| ASSEMBLY MATERIAL NUMBER | PANEL GROUND TABS |
|--------------------------|-------------------|
| 446200002 | ALL |
| 446200003 | SEE NOTE 7 |

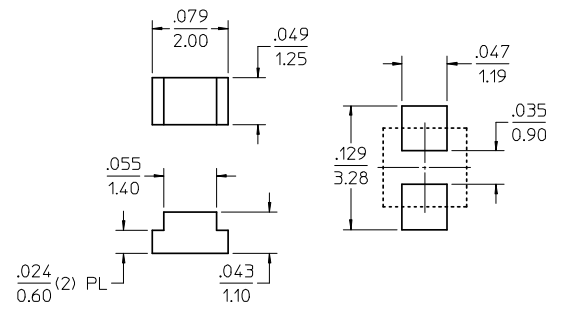
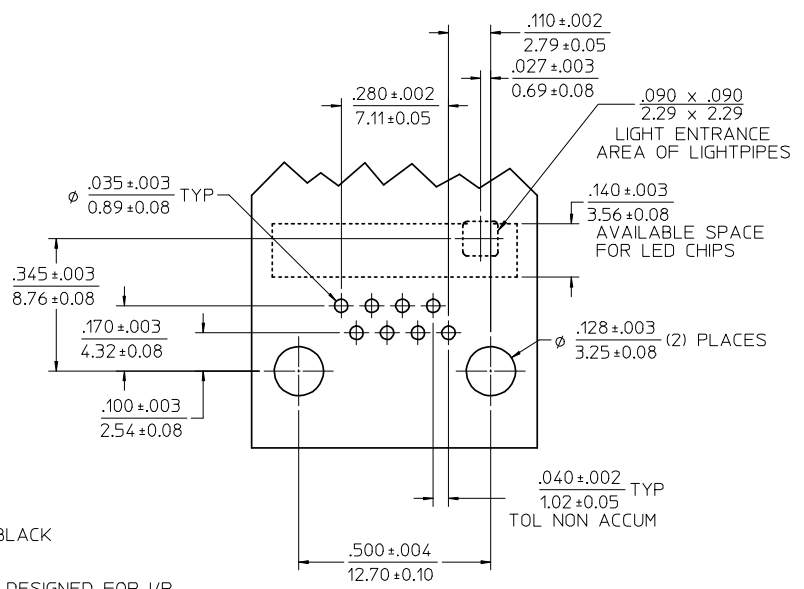
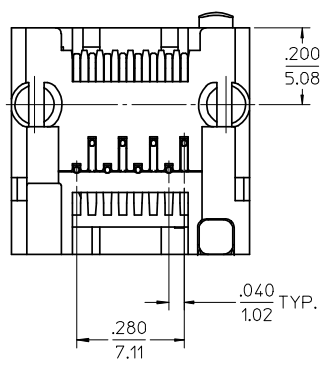
| ADD NOTE 8 EC NO: UCP2008-0965 DRWN: BELL 2007/11/08 CHKD: LSCM/DT 2007/12/04 APPR: FSM/TH 2007/12/05 | DESCRIPTION REV 1 | QUALITY SYMBOLS ▽=0 ▽=0 | GENERAL TOLERANCES (UNLESS SPECIFIED) <table border="1"> <thead> <tr> <th></th> <th>mm</th> <th>INCH</th> </tr> </thead> <tbody> <tr> <td>4 PLACES ±</td> <td>---</td> <td>---</td> </tr> <tr> <td>3 PLACES ±</td> <td>---</td> <td>---</td> </tr> <tr> <td>2 PLACES ±</td> <td>---</td> <td>---</td> </tr> <tr> <td>1 PLACE ±</td> <td>---</td> <td>---</td> </tr> </tbody> </table> | | mm | INCH | 4 PLACES ± | --- | --- | 3 PLACES ± | --- | --- | 2 PLACES ± | --- | --- | 1 PLACE ± | --- | --- | DIMENSION STYLE IN/MM | SCALE 4:1 | DESIGN UNITS INCH | THIRD ANGLE PROJECTION |
|--|----------------------|-------------------------------|--|---|----|------|------------|-----|-----|------------|-----|-----|------------|-----|-----|-----------|-----|-----|--------------------------|--------------|----------------------|------------------------|
| | | | mm | INCH | | | | | | | | | | | | | | | | | | |
| | | 4 PLACES ± | --- | --- | | | | | | | | | | | | | | | | | | |
| | | 3 PLACES ± | --- | --- | | | | | | | | | | | | | | | | | | |
| 2 PLACES ± | --- | --- | | | | | | | | | | | | | | | | | | | | |
| 1 PLACE ± | --- | --- | | | | | | | | | | | | | | | | | | | | |
| DRAWN BY MKAMAR 00/03/07 | | DATE 00/03/07 | | TITLE RJ-45 INVERTED MODULAR JACK ASSEMBLY WITH RJ-11 KEEPOUT FEATURE | | | | | | | | | | | | | | | | | | |
| CHECKED BY MKAMAR 00/03/07 | | DATE 00/03/07 | | | | | | | | | | | | | | | | | | | | |
| APPROVED BY JROBERTS 00/03/07 | | DATE 00/03/07 | | MOLEX INCORPORATED | | | | | | | | | | | | | | | | | | |
| MATERIAL NO. SEE CHART | | DOCUMENT NO. SD-44620-001 | | | | | | | | | | | | | | | | | | | | |
| DRAFT WHERE APPLICABLE MUST REMAIN WITHIN DIMENSIONS | | SIZE C | | THIS DRAWING CONTAINS INFORMATION THAT IS PROPRIETARY TO MOLEX INCORPORATED AND SHOULD NOT BE USED WITHOUT WRITTEN PERMISSION | | | | | | | | | | | | | | | | | | |



RJ-11 KEEPUT FEATURE



TYPICAL PC TERMINAL HOLE LAYOUT
SCALE 5:1



RECOMMENDED SMT
LED SOLDER PATTERN
SCALE 10:1
(SEE NOTE 8)

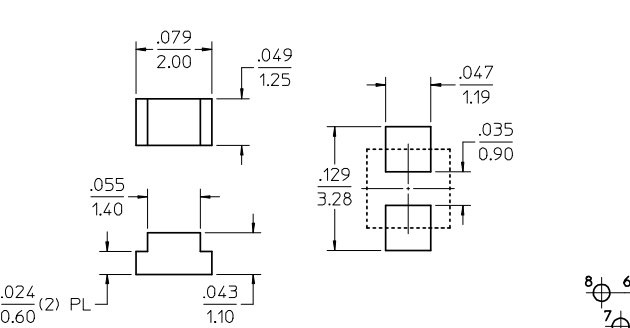
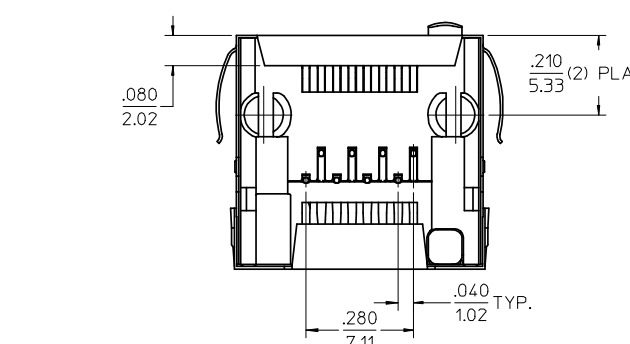
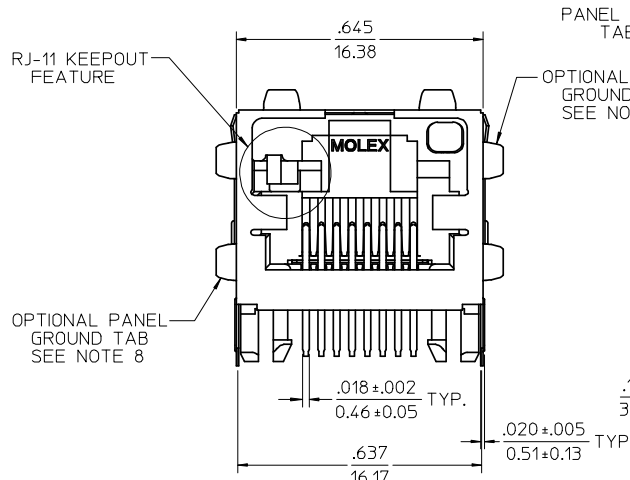
- NOTES:
- MATERIAL:
HOUSING: NYLON(PA), GLASS FILLED, UL94V-0, COLOR: BLACK
TERMINALS: PHOSPHOR BRONZE
LIGHT PIPES:
POLYCARBONATE-WAVE OR HAND SOLDER ONLY (NOT DESIGNED FOR 1/8 REFLOW OR CONVECTION REFLOW SOLDER PROCESSES)
POLYSULFONE-MAXIMUM REFLOW TEMPERATURE: 400°F (205°C)
 - FINISH:
TERMINALS:
SELECT GOLD IN CONTACT AREA: 50 MICROINCHES (1.27 MICROMETERS) MIN.,
*SELECT TIN IN PC TAIL AREA: 100 MICROINCHES (2.54 MICROMETERS) MIN.,
WITH OVERALL NICKEL UNDERPLATE: 50 MICROINCHES (1.27 MICROMETERS) MIN.
*THE PRIMARY SHIPPING CARTON WILL BE LABELED "COMPLIANT TO RoHS DIRECTIVE 2002/95/EC AND ELV ANNEX II OF DIRECTIVE 2000/53/EC".
CARTONS WITHOUT THIS LABEL MAY CONTAIN PRODUCT WITH TIN-LEAD IN THE PC TAILS.
 - PRODUCT SPECIFICATION AND PROCESSING PARAMETERS: PS-43860-003.
 - PACKAGING SPECIFICATION:
CONNECTOR ASSEMBLIES PACKAGED IN EXTRUDED TUBES PER MOLEX PACKAGING SPECIFICATION PK-43860-004.
 - APPLICATION SPECIFICATION: AS-43860-001.
 - ALL UNTOLERANCED DIMENSIONS ARE SHOWN FOR REFERENCE ONLY.
 - CONFORMS TO FCC REGULATION PART 68.5 FOR MODULAR JACKS.
 - FOR CROSS REFERENCE OF RECOMMENDED LED'S, SEE MOLEX WEBSITE.
 - THIS PART CONFORMS TO CLASS B REQUIREMENTS OF COSMETIC SPECIFICATION PS-45499-002.

PC BOARD LAYOUT
COMPONENT SIDE OF BOARD
RECOMMENDED PCB THICKNESS: .062/1.57

| ASSEMBLY MATERIAL NUMBER | LIGHT PIPE MATERIAL |
|--------------------------|---------------------|
| 446201004 | POLYCARBONATE |
| 446201005 | POLYSULFONE |

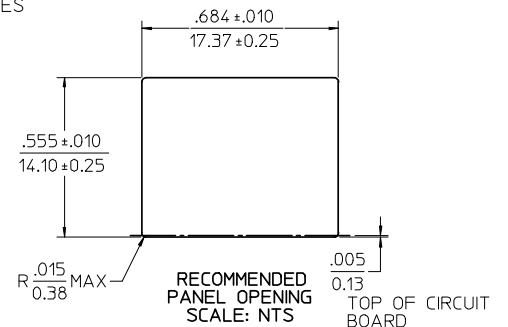
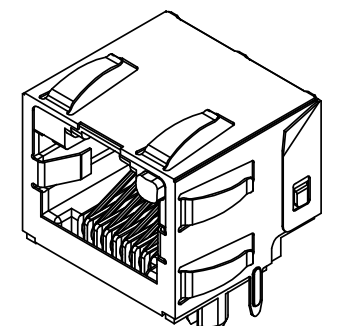
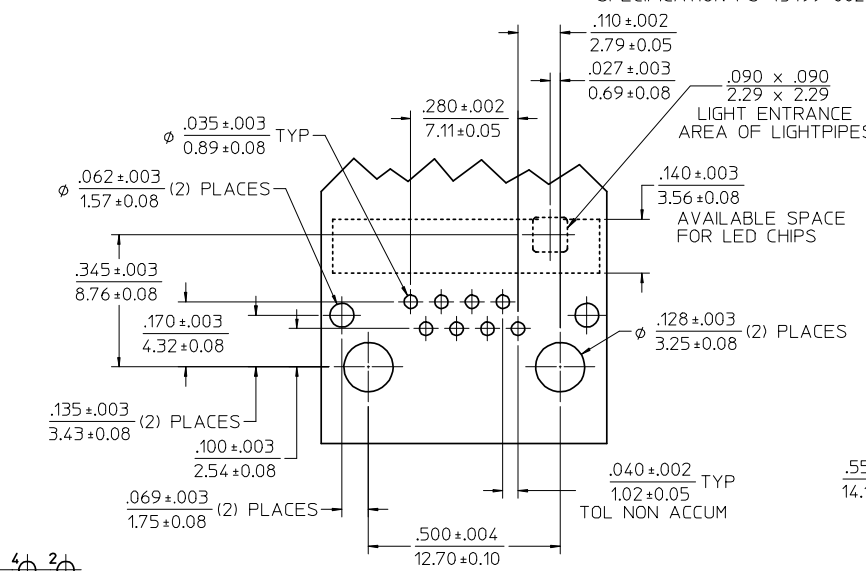
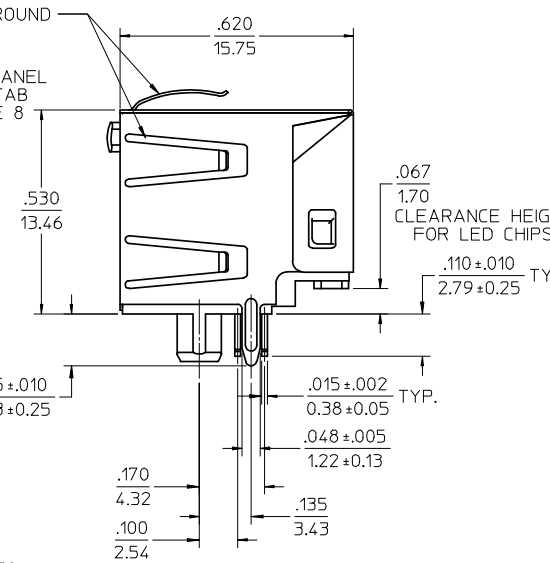
| | | | | | | | | | | |
|--|-------------------------------|---|--------------------------------------|----------------------------------|--|--------------------------------|-----------------------------|-------------------------|---------------------------|--|
| ADD NOTE 5 & 9 EC NO: UCP2008-0965 DRWN: BELL 2007/11/08 CHKD: SCHMIDT 2007/12/04 APPR: FSMITH 2007/12/05 D2 | QUALITY SYMBOLS ▽=0 ▽=0 | GENERAL TOLERANCES (UNLESS SPECIFIED) | | DIMENSION STYLE IN/MM | | SCALE 4:1 | DESIGN UNITS INCH | THIRD ANGLE PROJECTION | | |
| | | 4 PLACES ± --- ± --- 3 PLACES ± --- ± --- 2 PLACES ± --- ± --- 1 PLACE ± --- ± --- | mm INCH DRAWN BY MKAMAR | DATE 00/03/07 | TITLE RJ-45 INVERTED MODULAR JACK ASSEMBLY WITH RJ-11 KEEPUT FEATURE | | | | | |
| | | ANGULAR ± 1/2° | | CHECKED BY MKAMAR | DATE 00/03/07 | APPROVED BY JROBERTS | | DATE 00/03/07 | MOLEX INCORPORATED | |
| | | DRAFT WHERE APPLICABLE MUST REMAIN WITHIN DIMENSIONS | | MATERIAL NO. SEE CHART | DOCUMENT NO. SD-44620-001 | SHEET NO. 3 OF 4 | | | | |

THIS DRAWING CONTAINS INFORMATION THAT IS PROPRIETARY TO MOLEX INCORPORATED AND SHOULD NOT BE USED WITHOUT WRITTEN PERMISSION



RECOMMENDED SMT LED SOLDER PATTERN SCALE 10:1 (SEE NOTE 9)

TYPICAL PC TERMINAL HOLE LAYOUT SCALE 5:1



- NOTES:
- MATERIAL:
HOUSING: NYLON(PA), GLASS FILLED, UL94V-0, COLOR: BLACK
TERMINALS: PHOSPHOR BRONZE
SHIELD: BRASS
LIGHT PIPES: POLYCARBONATE-WAVE OR HAND SOLDER ONLY (NOT DESIGNED FOR I/R REFLOW OR CONVECTION REFLOW SOLDER PROCESSES)
POLYSULFONE-MAXIMUM REFLOW TEMPERATURE: 400°F (205°C)
 - FINISH:
TERMINALS:
*SELECT GOLD IN CONTACT AREA: 50 MICROINCHES (1.27 MICROMETERS) MIN.
*SELECT TIN IN PC TAIL AREA: 100 MICROINCHES (2.54 MICROMETERS) MIN., WITH OVERALL NICKEL UNDERPLATE: 50 MICROINCHES (1.27 MICROMETERS) MIN.
SHIELD:
*100 MICROINCHES (2.54 MICROMETERS) NICKEL OVER 50 MICROINCHES (1.27 MICROMETERS) COPPER UNDERPLATE, PCB GROUND TABS DIPPED IN TIN
*THE PRIMARY SHIPPING CARTON WILL BE LABELED "COMPLIANT TO RoHS DIRECTIVE 2002/95/EC AND ELV ANNEX II OF DIRECTIVE 2000/53/EC", CARTONS WITHOUT THIS LABEL MAY CONTAIN PRODUCT WITH TIN-LEAD IN THE PC TAILS AND/OR SHIELD.
 - PRODUCT SPECIFICATION AND PROCESSING PARAMETERS: PS-43860-003.
 - PACKAGING SPECIFICATION: CONNECTOR ASSEMBLIES PACKAGED IN THERMOFORMED TRAYS PER MOLEX PACKAGING SPECIFICATION PK-43860-005.
 - APPLICATION SPECIFICATION: AS-43860-001
 - ALL UNTOLERANCED DIMENSIONS ARE SHOWN FOR REFERENCE ONLY.
 - CONFORMS TO FCC REGULATION PART 68.5 FOR MODULAR JACKS.
 - AVAILABLE WITH THE (2) SPECIFIED PANEL GROUND TABS OMITTED FOR SIDE TO SIDE STACKABILITY, PER THE ASSEMBLY MATERIAL NUMBER TABLE.
 - FOR CROSS REFERENCE OF RECOMMENDED LED'S, SEE MOLEX WEBSITE.
 - THIS PART CONFORMS TO CLASS B REQUIREMENTS OF COSMETIC SPECIFICATION PS-45499-002.

| ASSEMBLY MATERIAL NUMBER | LIGHT PIPE MATERIAL | PANEL GROUND TABS |
|--------------------------|---------------------|-------------------|
| 446201006 | POLYCARBONATE | ALL |
| 446201007 | POLYCARBONATE | SEE NOTE 8 |
| 446201008 | POLYSULFONE | ALL |
| 446201009 | POLYSULFONE | SEE NOTE 8 |

| | |
|--------------------------|-----------------|
| ADD NOTE 5 & 10 | QUALITY SYMBOLS |
| EC NO: UCP2008-0965 | ▽=0 |
| DRWN: BELL 2007/11/08 | ▽=0 |
| CHKD: SCHMIDT 2007/12/04 | |
| APPR: FSMITH 2007/12/05 | |
| REV | DESCRIPTION |
| D2 | |

| GENERAL TOLERANCES (UNLESS SPECIFIED) | |
|---------------------------------------|-------|
| mm | INCH |
| 4 PLACES ± --- | ± --- |
| 3 PLACES ± --- | ± --- |
| 2 PLACES ± --- | ± --- |
| 1 PLACE ± --- | ± --- |
| ANGULAR ±1/2° | |

DRAFT WHERE APPLICABLE MUST REMAIN WITHIN DIMENSIONS

| DIMENSION STYLE | |
|-----------------|--------------|
| IN/MM | |
| DRAWN BY | DATE |
| MKAMAR | 00/03/07 |
| CHECKED BY | DATE |
| MKAMAR | 00/03/07 |
| APPROVED BY | DATE |
| JROBERTS | 00/03/07 |
| MATERIAL NO. | DOCUMENT NO. |
| SEE CHART | SD-44620-001 |

| SCALE | DESIGN UNITS | THIRD ANGLE PROJECTION |
|---|--------------|------------------------|
| 4:1 | INCH | |
| RJ-45 INVERTED MODULAR JACK ASSEMBLY WITH RJ-11 KEEPOUT FEATURE | | |
| MOLEX MOLEX INCORPORATED | | SHEET NO. 4 OF 4 |
| THIS DRAWING CONTAINS INFORMATION THAT IS PROPRIETARY TO MOLEX INCORPORATED AND SHOULD NOT BE USED WITHOUT WRITTEN PERMISSION | | |