

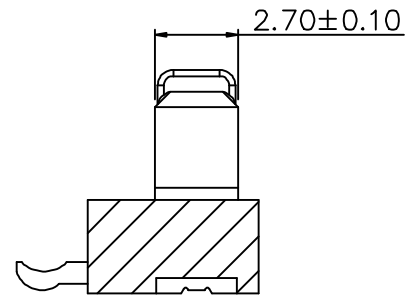
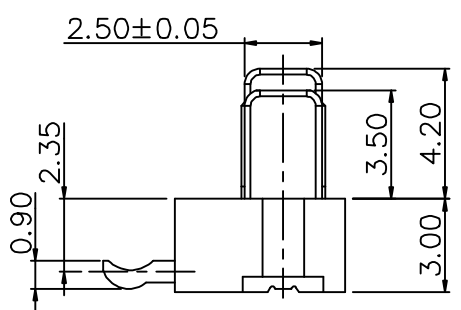
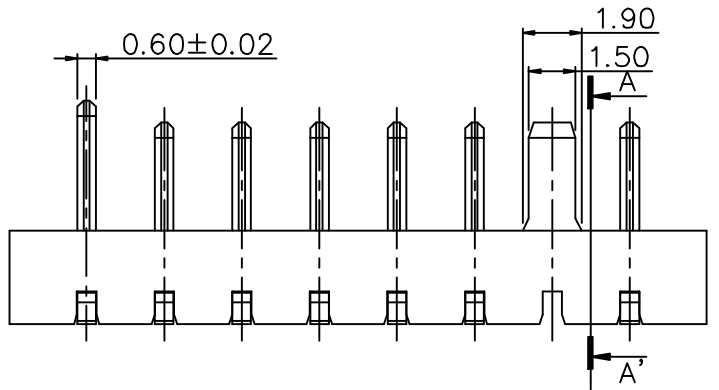
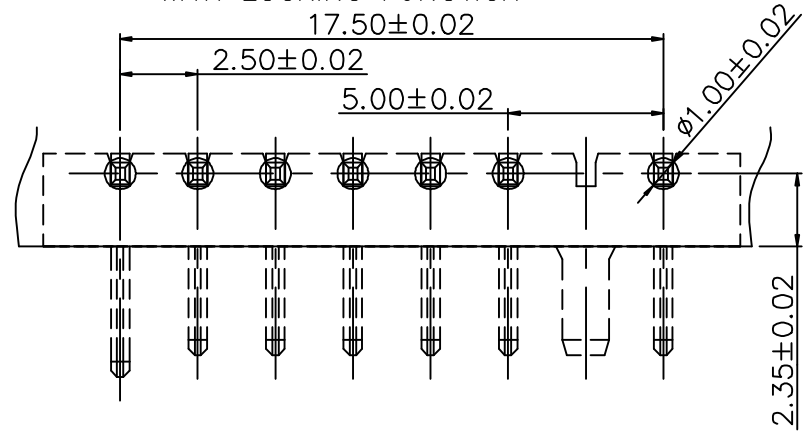
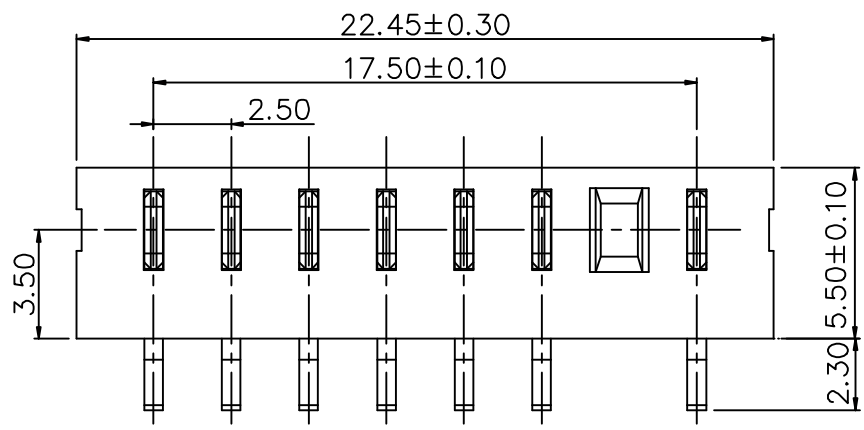


RoHS Compliant
2002/95/EC

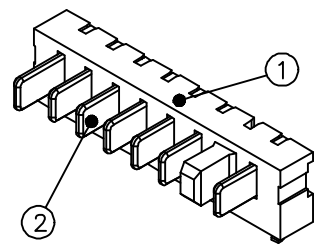
HSF

Level-1 Controlled Substances are banned

RECOMMENDED P.C.B LAYOUT (COMPONENT SIDE)
P.C.B THICKNESS=1.20mm
WITH LOCKING FUNCTION



SECTION "A-A"



3				
2	TERMINAL	COPPER ALLOY		GOLD PLATED
1	PLASTICS	HIGHTEMP.PLASTIC	BLACK	UL94V-0
NO.	DESCRIPTION	MATERIAL	COLOR	REMARK

SUYIN
CONNECTOR

CUSTOMER COPY	TITLE:2.50mm PITCH BATTERY CONN.			
PART NO.	250133MR007G115ZR			
PRODUCT SPEC.	250133MX/25033X			
FILE NAME.	D	250133MR007G115ZR-C		
SCALE	4:1	UNIT:mm	A4	SHEET: 1 of 1

					Angle	±2'				
	0		NEW RELEASE	王 鵬	張裕奇	30 ~	±0.50	DRAW	王 鵬	08'/06/12
DCBE-080603-04	PC	08'/06/03	PC1: 修改圖面與實物相符	王 鵬	張裕奇	10 ~ 30	±0.30	DESIGN	王 鵬	08'/06/12
DCBE-080509-05	PB	08'/05/09	PB1: 修改包裝數量	王 鵬	許俊賢	~ 10	±0.15	CHECK	程夢麗	08'/06/12
ECN(DCN) NO.	REV	DATE	DESCRIPTION	CHANGE	APPRO.	GENERAL TOLERANCE UNLESS OTHERWISE NOTED		APPRO.	張裕奇	08'/06/12

Original: Draw: 譚貴學 Design: 譚貴學 Check: 楊國輝 Appro: 許俊賢 發行日期 07'/10/12

071012-BC101