

PLEASE CHECK WWW.MOLEX.COM FOR LATEST PART INFORMATION

Part Number: [0876323020](#)
Status: **Active**
Overview: [extreme powerplus ssi](#)
Description: 6.35mm (.250") Pitch, Power, 2.54mm (.100") Pitch, Signal, EXTreme PowerPlus™ P-S-P Receptacle, Through Hole, Right Angle, with Beveled Metal Pins, 16 Circuits, Power Beta 2, Signal 12, Power Alpha 2, Leadfree

Documents:

[3D Model](#) [Product Specification PS-87631-006 \(PDF\)](#)
[Drawing \(PDF\)](#) [RoHS Certificate of Compliance \(PDF\)](#)

General

Product Family	PCB Receptacles
Series	87632
Application	Board-to-Board
Comments	No Recessed Power Circuits
Overview	extreme powerplus ssi
Product Name	EXTreme PowerPlus™

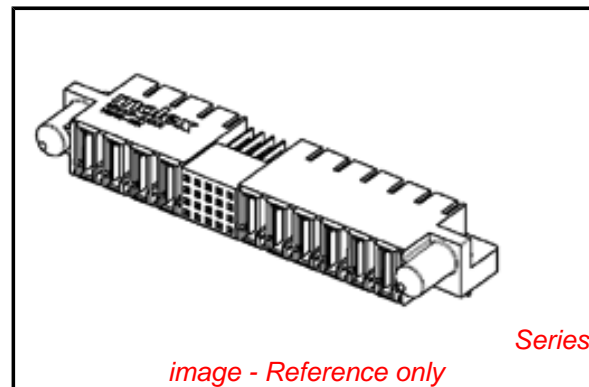
Physical

Circuits (Loaded)	16
Circuits Detail	Power Beta 2, Signal 12, Power Alpha 2
Color - Resin	Black
Durability (mating cycles max)	100
Glow-Wire Compliant	No
Guide to Mating Part	Yes
Keying to Mating Part	Yes
Lock to Mating Part	Yes
Material - Metal	Copper Alloy
Material - Plating Mating	Gold
Material - Plating Termination	Tin
Material - Resin	High Temperature Thermoplastic
Number of Rows	4
Orientation	Right Angle
PC Tail Length (in)	0.135 In
PC Tail Length (mm)	3.43 mm
PCB Locator	No
PCB Retention	Yes
Packaging Type	Tray
Pitch - Mating Interface (in)	0.100 In, 0.250 In
Pitch - Mating Interface (mm)	2.54 mm, 6.35 mm
Plating min: Mating (µin)	30
Plating min: Mating (µm)	0.76
Plating min: Termination (µin)	100
Plating min: Termination (µm)	2.54
Polarized to Mating Part	Yes
Polarized to PCB	Yes
Stackable	No
Temperature Range - Operating	-20°C to +105°C
Termination Interface: Style	Through Hole

Electrical

Current - Maximum per Contact	2.5A, 30A, 50A
Voltage - Maximum	250V DC

Solder Process Data



EU RoHS

ELV and RoHS Compliant
REACH SVHC
 Not Reviewed
Halogen-Free Status

China RoHS



Need more information on product environmental compliance?

Email productcompliance@molex.com
 For a multiple part number RoHS Certificate of Compliance, [click here](#)

Please visit the [Contact Us](#) section for any non-product compliance questions.

Search Parts in this Series

[87632Series](#)

Mates With

[87631 EXTreme PowerPlus™ P-S-P Header](#)

Duration at Max. Process Temperature (seconds)	10
Lead-free Process Capability	SMC & Wave Capable (TH only)
Max. Cycles at Max. Process Temperature	3
Process Temperature max. C	260

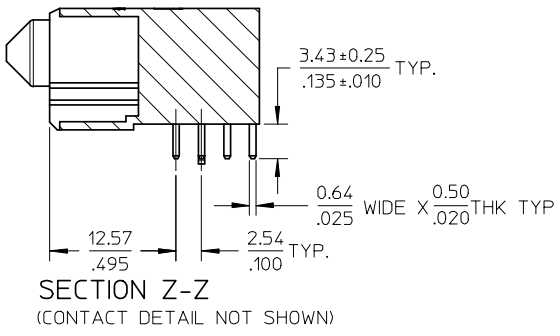
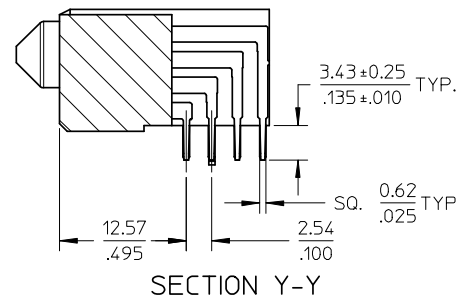
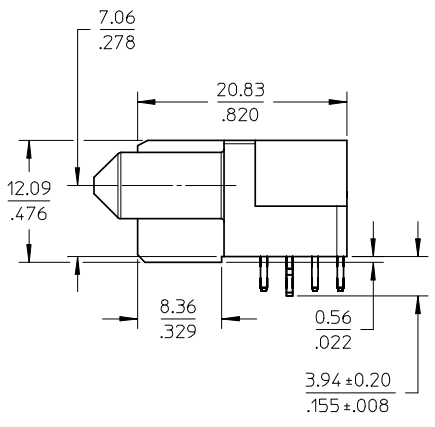
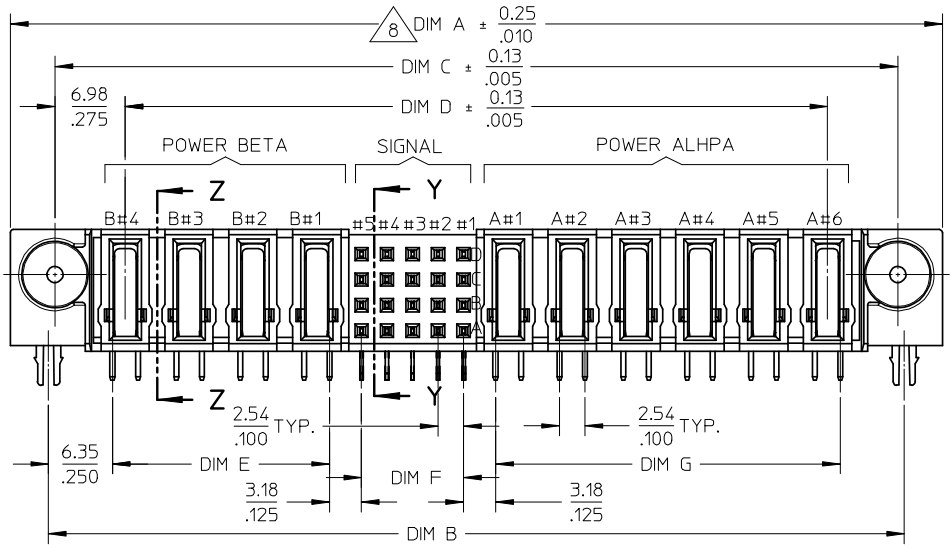
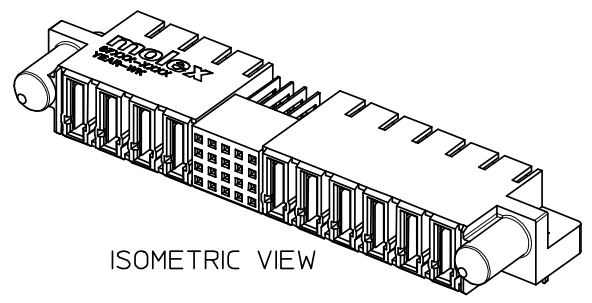
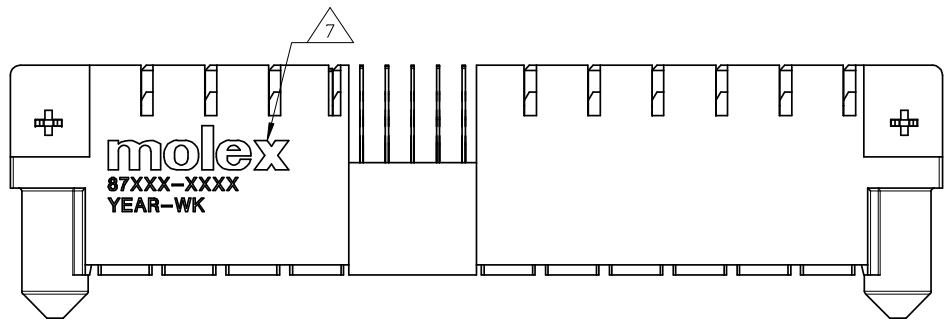
Material Info

Reference - Drawing Numbers

Application Specification	AS-87631-018
Product Specification	PS-87631-006
Sales Drawing	SD-87632-013

This document was generated on 05/21/2010

PLEASE CHECK WWW.MOLEX.COM FOR LATEST PART INFORMATION

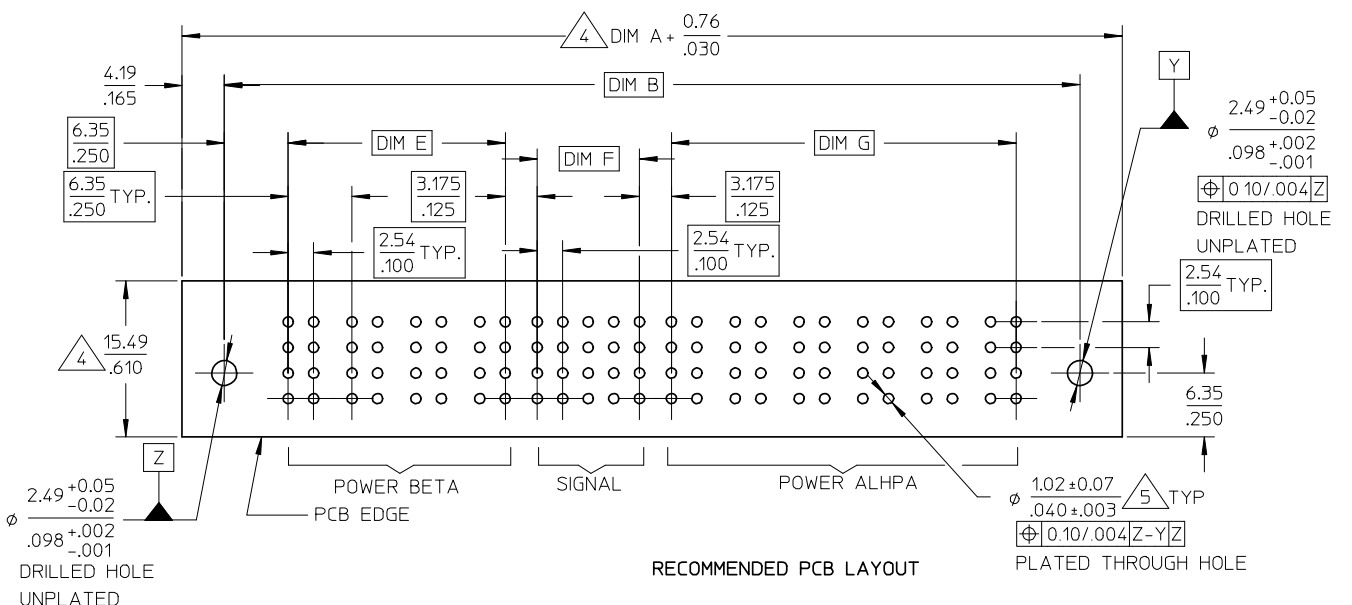


PDR#S-001735-00-00	QUALITY SYMBOLS
EC NO: S2008-0445	▽=0
DRWN:SKANG 2007/12/12	∇=0
CHKD:ATSEE 2007/12/12	
APPR:MLONG 2007/12/13	
REV	DESCRIPTION
D2	

GENERAL TOLERANCES (UNLESS SPECIFIED)	mm	INCH
	4 PLACES ± ---	± ---
	3 PLACES ± ---	± ---
	2 PLACES ± 0.13	± ---
	1 PLACE ± 0.25	± ---
	ANGULAR ± 3 °	
DRAFT WHERE APPLICABLE MUST REMAIN WITHIN DIMENSIONS		

DIMENSION STYLE	
MM/IN	
DRAWN BY	DATE
KMGOH	2002/11/19
CHECKED BY	DATE
PTLIM	2002/11/21
APPROVED BY	DATE
SKTOH	2002/11/21
MATERIAL NO.	
SEE TABLE	
SIZE	
A3	

SCALE	DESIGN UNITS	THIRD ANGLE PROJECTION
NTS	METRIC	
TITLE		
POWER CONN. RECEPTACLE		
P(B)-S-P(A) CONFIG.		
RIGHT ANGLE, THRU HOLE		
MOLEX MOLEX INCORPORATED		
DOCUMENT NO.	SHEET NO.	
SD-87632-013	1 OF 3	
THIS DRAWING CONTAINS INFORMATION THAT IS PROPRIETARY TO MOLEX INCORPORATED AND SHOULD NOT BE USED WITHOUT WRITTEN PERMISSION		




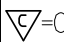

- NOTES**
- MATERIALS :-**
 HOUSING - HIGH TEMPERATURE THERMO-PLASTIC,
 GLASS FILLED, UL94V-0, COLOR : BLACK.
 SIGNAL TERMINAL - COPPER ALLOY
 POWER TERMINAL - COPPER ALLOY
 - FINISH :-**
 SIGNAL & POWER CONTACTS
 0.76um MIN. GOLD (Au) AT CONTACT AREA AND 2.54um MIN. TIN
 AT SOLDER TAIL AREA OVER 1.27um MIN. NICKEL (Ni) UNDERPLATE.
 BOARD-LOCK - 2.54 MICROMETER MINIMUM TIN (Sn) OVER
 1.27 MICROMETER MINIMUM NICKEL (Ni) UNDERPLATE
 - PRODUCT SPECIFICATION : PS-87631-006.**
 - COMPONENT STAY AWAY ZONE FROM CONNECTOR.**
 - PCB NOTE FOR DIAMETER 1.02/.040 PLATED HOLE**
 - DRILLED HOLE SIZE IS 1.151/.0453
 - PLATE WITH 0.007/.0003 MINIMUM TIN OVER 0.03/.001
 TO 0.08/.003 COPPER PLATING TO ACHIEVE 1.02±0.08/.040±.003 HOLE.
 - ALL TERMINAL TIPS ARE DESIGNED WITH EXPOSE BASE COPPER.**
 THIS IS CREATED BY FINAL CUTTING PROCESS PLATING.
 - MANUFACTURER LOGO, PART NUMBER AND YEAR-WEEK CODE.**
 - 4 POWER BETA-20SIGNAL-6 POWER ALPHA IS SHOWN FOR ILLUSTRATION.**
 POWER-SIGNAL-POWER CONFIGURATION IS AVAILABLE UP TO 203MM/8INCH.
 PLEASE CONTACT MOLEX SALES PERSONNEL FOR OTHER CONFIGURATION
 AND OPTION NEEDED.

PDR#S-001735-00-00 EC NO: S2008-0445 DRWN:SKANG 2007/12/12 CHKD:ATSEE 2007/12/12 APPR:MLONG 2007/12/13	QUALITY SYMBOLS ▽=0 ◻=0	GENERAL TOLERANCES (UNLESS SPECIFIED)		DIMENSION STYLE MM/IN		SCALE NTS	DESIGN UNITS METRIC	THIRD ANGLE PROJECTION		
			mm	INCH	DRAWN BY	DATE	TITLE			
		4 PLACES	± ---	± ---	KMGOH	2002/11/19	POWER CONN. RECEPTACLE P(B)-S-P(A) CONFIG. RIGHT ANGLE, THRU HOLE			
		3 PLACES	± ---	± ---	CHECKED BY	DATE				
2 PLACES	± 0.13	± ---	PTLIM	2002/11/21	MOLEX INCORPORATED					
1 PLACE	± 0.25	± ---	APPROVED BY	DATE						
ANGULAR ± 3 °		DRAFT WHERE APPLICABLE MUST REMAIN WITHIN DIMENSIONS		SEE TABLE		DOCUMENT NO.		SHEET NO.		
				MATERIAL NO.		SD-87632-013		2 OF 3		
				THIS DRAWING CONTAINS INFORMATION THAT IS PROPRIETARY TO MOLEX INCORPORATED AND SHOULD NOT BE USED WITHOUT WRITTEN PERMISSION						

10	9			8	7			6			5	4	3	2	1
	ASSEMBLY PART NUMBER	P-S-P CONFIGURATION POWER BETA	SIGNAL		POWER ALPHA	RECESSERD POWER CIRCUIT #	DIM A	DIM B	DIM C	DIM D					
F	87632-3000	5	24	3	NIL	82.54 3.250	74.93 2.950	73.65 2.900	59.69 2.350	27.94 1.100	12.70 .500	15.24 .600	TRAY		
	87632-3001	4	20	6	NIL	92.71 3.650	85.10 3.350	83.82 3.300	69.86 2.750	21.59 .850	10.16 .400	34.29 1.350	TRAY		
	87632-3006	2	32	2	NIL	62.23 2.450	54.61 2.150	53.34 2.100	39.37 1.550	8.89 .350	17.78 .700	8.89 .350	TRAY		
	87632-3009	4	24	2	NIL	69.84 2.750	62.23 2.450	60.95 2.400	46.99 1.850	21.59 .850	12.70 .500	8.89 .350	TRAY		
	87632-3011	1	16	1	NIL	39.37 1.550	31.75 1.250	30.48 1.200	16.51 .650	2.54 .100	7.62 .300	2.54 .100	TRAY		
E	87632-3013	5	32	5	NIL	100.33 3.950	92.71 3.650	91.44 3.600	77.47 3.050	27.94 1.100	17.78 .700	27.94 1.100	TRAY		
	87632-3017	4	28	4	NIL	85.09 3.350	77.47 3.050	76.20 3.000	62.23 2.450	21.59 .850	15.24 .600	21.59 .850	TRAY		
	87632-3018	4	40	4	NIL	92.71 3.650	85.09 3.350	83.82 3.300	69.85 2.750	21.59 .850	22.86 .900	21.59 .850	TRAY		
	87632-3019	2	16	2	NIL	52.08 2.050	44.46 1.750	43.19 1.700	29.22 1.150	8.89 .350	7.62 .300	8.89 .350	TRAY		
	87632-3020	2	12	2	NIL	49.53 1.950	41.91 1.650	40.64 1.600	26.67 1.050	8.89 .350	5.08 .200	8.89 .350	TRAY		
D	87632-3021	4	24	4	NIL	82.55 3.250	74.93 2.950	73.66 2.900	59.69 2.350	21.59 .850	12.70 .500	21.59 .850	TRAY		

C

B

PDR#S-001735-00-00 EC NO: S2008-0445 DRWN:SKANG 2007/12/12 CHKD:ATSEE 2007/12/12 APPR:MLONG 2007/12/13 REV D2	QUALITY SYMBOLS  = 0  = 0.13	GENERAL TOLERANCES (UNLESS SPECIFIED)		DIMENSION STYLE MM/IN		SCALE NTS	DESIGN UNITS METRIC	 THIRD ANGLE PROJECTION	
		4 PLACES ± --- ± --- 3 PLACES ± --- ± --- 2 PLACES ± 0.13 ± --- 1 PLACE ± 0.25 ± ---	mm INCH ± --- ± --- ± 0.13 ± --- ± 0.25 ± ---	DRAWN BY KMG0H	DATE 2002/11/19	TITLE POWER CONN. RECEPTACLE P(B)-S-P(A) CONFIG. RIGHT ANGLE, THRU HOLE			
		ANGULAR ± 3 °		CHECKED BY PTL IM	DATE 2002/11/21	MOLEX INCORPORATED			
		DRAFT WHERE APPLICABLE MUST REMAIN WITHIN DIMENSIONS		APPROVED BY SKTOH	DATE 2002/11/21	MATERIAL NO. SEE TABLE	DOCUMENT NO. SD-87632-013	SHEET NO. 3 OF 3	