

PLEASE CHECK WWW.MOLEX.COM FOR LATEST PART INFORMATION

Part Number: [0512332011](#)
Status: **Active**
Description: CRC™ Shielded Rectangular I/O Receptacle Housing for Male Terminal, Signal, 20 Circuits, Polarization Type Standard

Documents:

[Drawing \(PDF\)](#) [Product Specification PS-51238-018 \(PDF\)](#)
[Product Specification PS-51238-010 \(PDF\)](#) [RoHS Certificate of Compliance \(PDF\)](#)

Agency Certification

CSA	LR19980
TUV	R72081037
UL	E29179

General

Product Family	I/O Connectors
Series	51233
Application	Panel-Mount, Wire-to-Wire
Component Type	Housing
Product Name	CRC™
Type	N/A

Physical

Boot Color	N/A
Circuits (Loaded)	N/A
Circuits (maximum)	20
Color - Resin	Black
Durability (mating cycles max)	100
Flammability	94V-0
Gender	Receptacle
Keying to Mating Part	Yes
Lock to Mating Part	Yes
Material - Metal	Stainless Steel
Material - Plating Mating	n/a
Material - Resin	Polyester
Number of Rows	5
Orientation	Vertical
PCB Locator	No
Packaging Type	Tray
Panel Mount	Front, Rear
Pitch - Mating Interface (in)	0.118 In
Pitch - Mating Interface (mm)	3.00 mm
Pitch - Term. Interface (in)	0.118 In
Pitch - Term. Interface (mm)	3.00 mm
Polarized to Mating Part	Yes
Polarized to PCB	N/A
Ports	1
Surface Mount Compatible (SMC)	No
Temperature Range - Operating	-40°C to +105°C
Termination Interface: Style	N/A
Waterproof / Dustproof	No

Electrical

Current - Maximum per Contact	3.5A
Shielded	No
Voltage - Maximum	250V AC (RMS)/DC



image - Reference only

EU RoHS

ELV and RoHS Compliant
REACH SVHC Contains SVHC: No
Halogen-Free Status
Not Halogen-Free

China RoHS



Need more information on product environmental compliance?

Email productcompliance@molex.com
 For a multiple part number RoHS Certificate of Compliance, [click here](#)

Please visit the [Contact Us](#) section for any non-product compliance questions.

Search Parts in this Series

51233Series

Mates With

51239-200X plug housing|54332-200X plug assembly set

Use With

56116, 56117, 56118 and 56119 male terminal|56377-200* receptacle shell

Material Info

Reference - Drawing Numbers

Product Specification

Sales Drawing

PS-51238-010, PS-51238-018, RPS-51238-001

SD-51233-008

This document was generated on 04/12/2010

PLEASE CHECK WWW.MOLEX.COM FOR LATEST PART INFORMATION

DWG. NO. SD-51233-008

F

D

V

C

B

DO NOT SCALE DRAWING

8

7

6

5

4

3

2

1

F

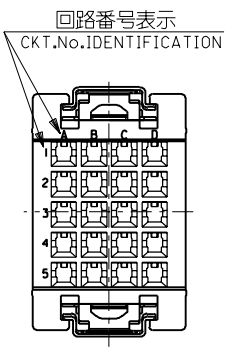
E

D

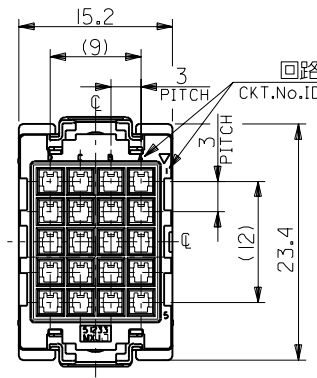
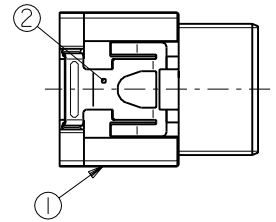
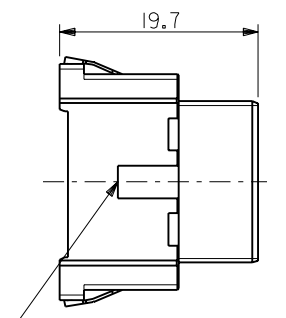
C

B

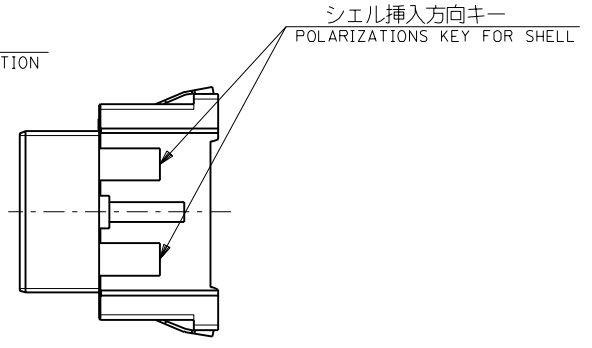
A



電線挿入側
WIRE SIDE



嵌合側
MATING SIDE



注記
NOTES

- 材質 MATERIAL
①ハウジング：ガラス入りPBT樹脂 HOUSING : PBT G.F.
UL94V-0 色：黒 UL94V-0 COLOR : BLACK
②スプリング：ステンレス鋼 t0.3 SPRING : STAINLESS STEEL t0.3
- 適用端子：56116-8*90, 56117-8*90, 56118-8*90, 56119-8*90
APPLICABLE CRIMP PIN : 56116-8*90, 56117-8*90, 56118-8*90, 56119-8*90
- 適用リセプタクル シェル：56377-20**
APPLICABLE RECEPTACLE SHELL : 56377-20**
- 嵌合相手：51239-200*
MEET WITH : 51239-200*

<誤嵌合防止キー(極性)タイプ> <POLARITY KEY TYPE>

51233-2011	51233-2012	51233-2013	51233-2014	51233-2015
STANDARD TYPE	A TYPE	B TYPE	C TYPE	D TYPE

C-4	D	51233-2015	51233-***1*	20
C-3	C	51233-2014		
B-3	B	51233-2013		
B-2	A	51233-2012		
—	STANDARD	51233-2011		
POLARITY POSITION (CIRCUIT No.)	POLARITY TYPE	MATERIAL No.	MODEL No.	CIRCUIT

EC NO. DRWN: CHK: APPR:	EC NO. DRWN: CHK: APPR:	EC NO. DRWN: CHK: APPR:	REVISED 01/10/04 EC NO. J2002-0786 DRWN: S.AKIYAMA CHK: J.MIYAZAWA APPR: Y.O.ITO	RELEASED 01/02/16 EC NO. JD2001-1040 DRWN: S.AKIYAMA CHK: J.MIYAZAWA APPR: H.IKESUGI	MATERIAL 材料 #	注記参照 SEE NOTES #	GENERAL TOLERANCES: (UNLESS SPECIFIED) 一般公差	SCALE 2-1	DESIGN UNITS <input checked="" type="checkbox"/> mm <input type="checkbox"/> INCH	THIRD ANGLE PROJECTION <input checked="" type="checkbox"/>	DIMENSIONS: <input type="checkbox"/> mm <input type="checkbox"/> INCH <input checked="" type="checkbox"/> mm ONLY	SHT	REV
			A	0	WIRE RANGE 適用電線範囲 #		10 UNDER 未満 ±0.2	DRAWN BY & DATE S. Akiyama 1/01/25		TITLE: COMPACT ROBOT CONN. (CRC) REC. PIN HS'G ASS'Y			
					FINISH 仕上げ #		10 OVER 30 UNDER 未満 ±0.25	CHECKED BY & DATE J. Miyazawa / Y. Ito		MATERIAL NO. SEE CHART			
					INS. RANGE 被覆外径 #		30 OVER 以上 ±0.3	APPROVED BY & DATE S. Akiyama		DRAWING NO. SD-51233-008			
					REV		ANGLE 角度 ±3°	CAD FILE NAME 51233008.S01		SHEET NO. 1 OF 4			
THIS DRAWING CONTAINS INFORMATION THAT IS PROPRIETARY TO MOLEX INCORPORATED AND SHOULD NOT BE USED WITHOUT WRITTEN PERMISSION.											SIZE B		

8

7

6

5

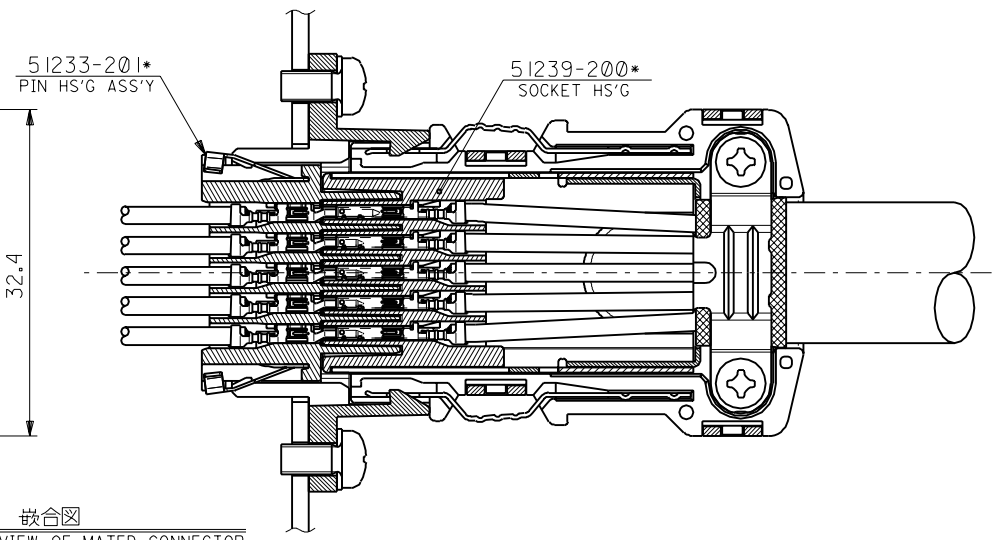
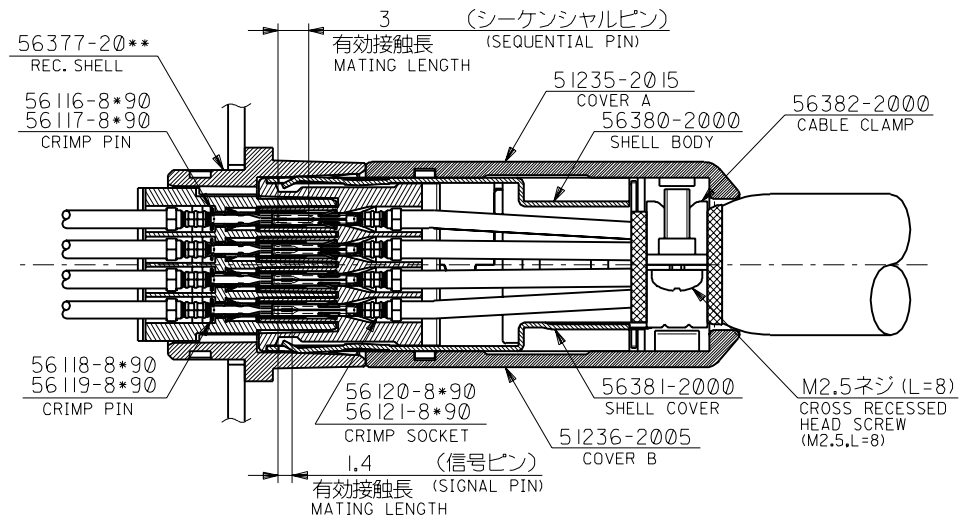
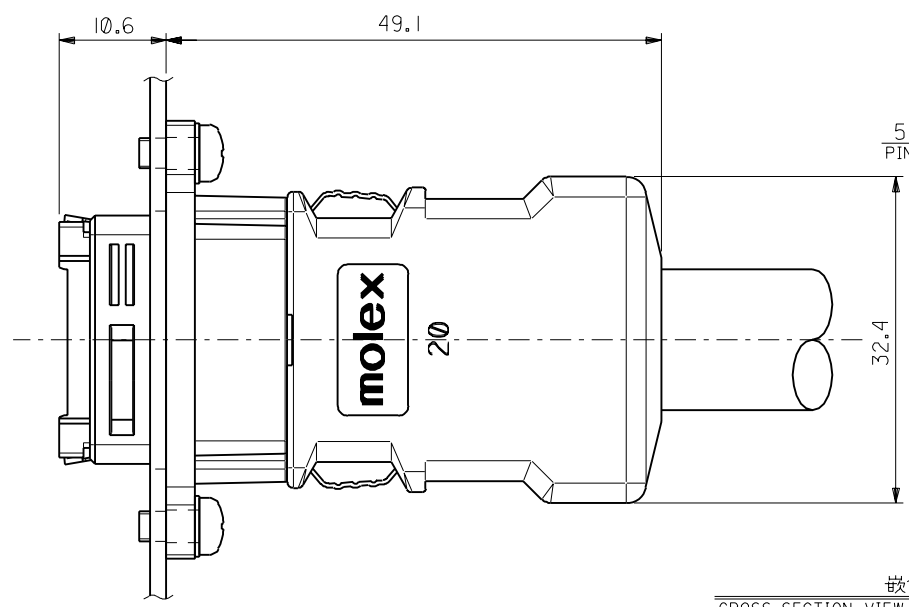
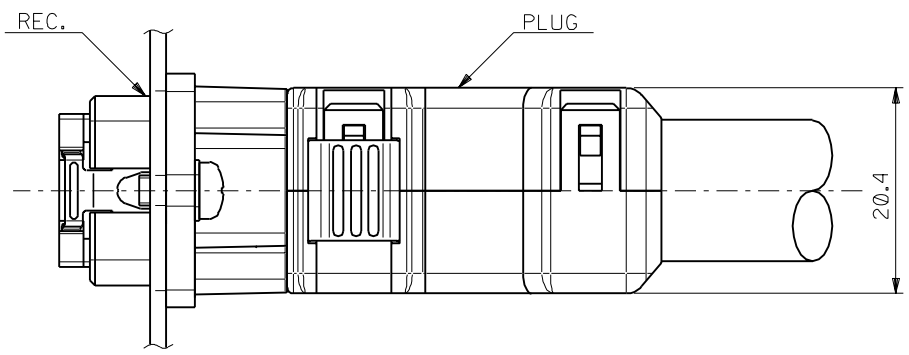
4

3

2

51233008.S01

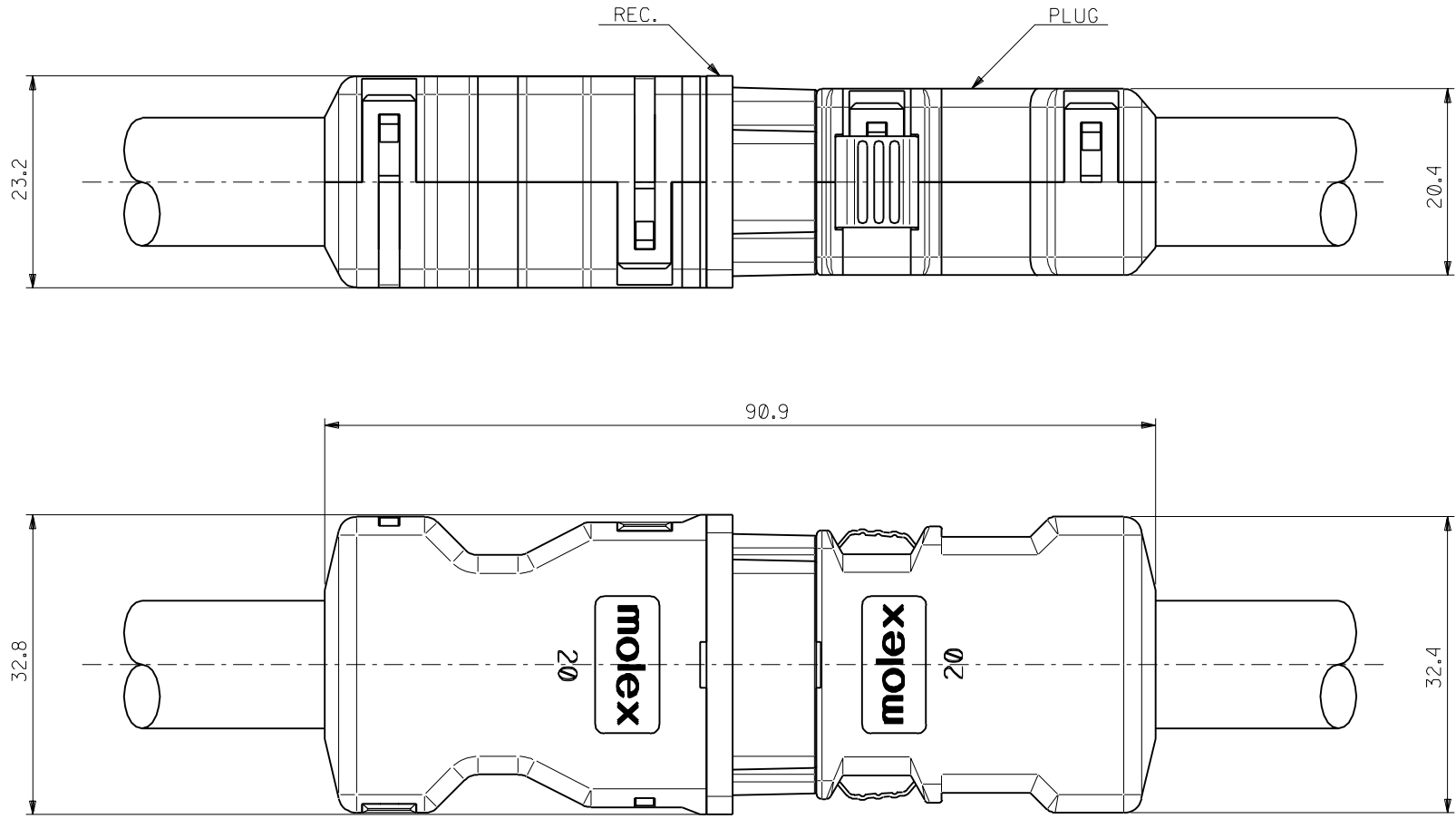
DWG. NO. SD-51233-008



嵌合図
CROSS-SECTION VIEW OF MATED CONNECTOR

DO NOT SCALE DRAWING

EC NO. DRWN: CHK: APPR:	EC NO. DRWN: CHK: APPR:	EC NO. DRWN: CHK: APPR:	REVISED 01/10/04	MATERIAL 材料	GENERAL TOLERANCES: (UNLESS SPECIFIED) 一般公差	SCALE 2-1	DESIGN UNITS mm □ mm □ INCH	THIRD ANGLE PROJECTION	DIMENSIONS: mm □ mm □ INCH □ mm ONLY	SHT REVISE ON CAD ONLY	REV	
			EC NO. J2002-0786 DRWN: S.AKIYAMA CHK: J.MIYAZAWA APPR: YO.ITO									DESCRIPTION 注記参照 SEE NOTES
A	0	0	RELEASED 01/02/16	FINISH 仕上げ	10 OVER 以上	30 UNDER 未満	±0.25	DRAWN BY & DATE S. Akiyama 1/01/25	TITLE: COMPACT ROBOT CONN. (CRC) REC. PIN HS'G ASS'Y	MATERIAL NO. SEE CHART	DRAWING NO. SD-51233-008	SHEET NO. 2 OF 4
			EC NO. JD2001-1040 DRWN: S.AKIYAMA CHK: J.MIYAZAWA APPR: H.IKESUGI									
REV	INS. RANGE 被覆外径	—	ANGLE 角度	±3°	CAD FILE NAME 51233008.S02	THIS DRAWING CONTAINS INFORMATION THAT IS PROPRIETARY TO MOLEX INCORPORATED AND SHOULD NOT BE USED WITHOUT WRITTEN PERMISSION.		SIZE B				



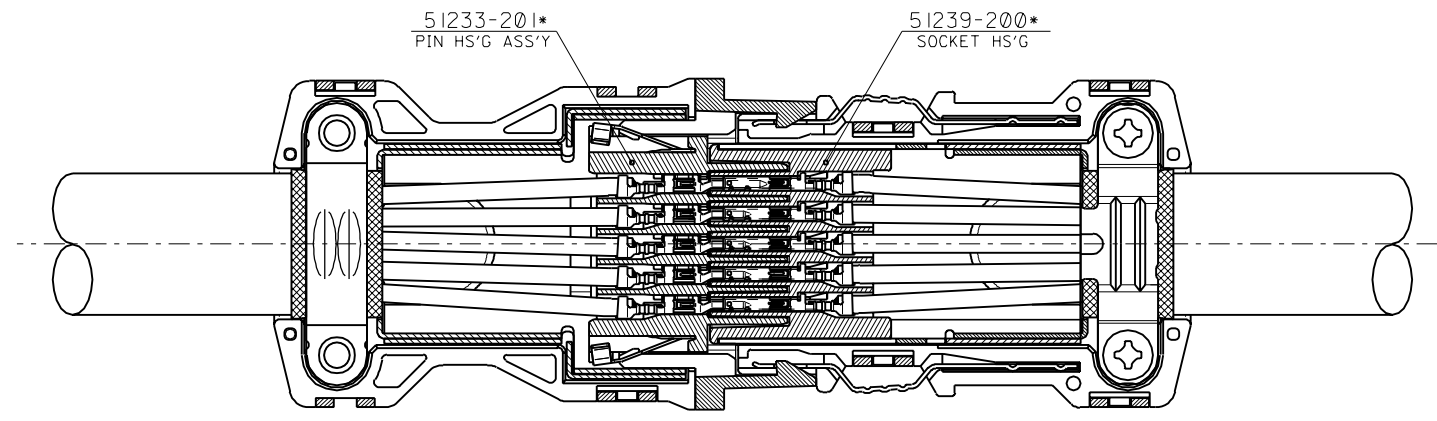
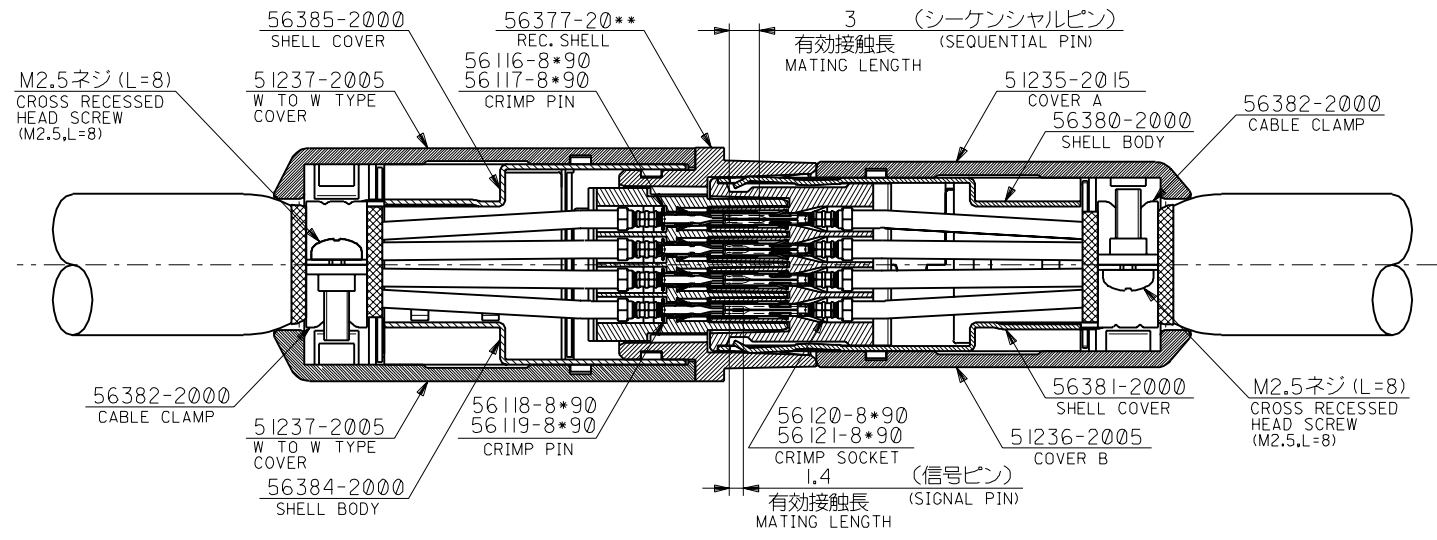
嵌合図 (中継タイプ)
CROSS-SECTION VIEW OF MATED CONNECTOR
(WIRE TO WIRE TYPE)

DO NOT SCALE DRAWING

EC NO. DRWN: CHK: APPR:	EC NO. DRWN: CHK: APPR:	EC NO. DRWN: CHK: APPR:	REVISED 01/10/04	MATERIAL 材料	GENERAL TOLERANCES: (UNLESS SPECIFIED) 一般公差	SCALE	DESIGN UNITS	THIRD ANGLE PROJECTION	DIMENSIONS:		SHT	REV
			EC NO. J2002-0786 DRWN: S.AKIYAMA CHK: J.MIYAZAWA APPR: YO.ITO			FINISH 仕上げ	10 UNDER 未満		2-1	<input type="checkbox"/> mm <input type="checkbox"/> INCH	<input type="checkbox"/> mm <input type="checkbox"/> mm	<input checked="" type="checkbox"/> mm ONLY
A	0		RELEASED 01/02/16	注記参照 SEE NOTES	10 OVER 以上	30 UNDER 未満	30 OVER 以上	3	3	TITLE: COMPACT ROBOT CONN. (CRC) REC. PIN HS'G ASS'Y		
			EC NO. JD2001-1040 DRWN: S.AKIYAMA CHK: J.MIYAZAWA APPR: H.IKESUGI	WIRE RANGE 適用電線範囲	ANGLE 角度				MATERIAL NO. SEE CHART		DRAWING NO. SD-51233-008	SHEET NO. 3 OF 4
			INS. RANGE 被覆外径						MATERIAL NO. SEE CHART		DRAWING NO. SD-51233-008	SHEET NO. 3 OF 4

THIS DRAWING CONTAINS INFORMATION THAT IS PROPRIETARY TO MOLEX INCORPORATED AND SHOULD NOT BE USED WITHOUT WRITTEN PERMISSION.

DWG. NO.
SD-51233-008



嵌合図 (中継タイプ)
CROSS-SECTION VIEW OF MATED CONNECTOR
(WIRE TO WIRE TYPE)

DO NOT SCALE DRAWING

EC NO. DRWN: CHK: APPR:	EC NO. DRWN: CHK: APPR:	EC NO. DRWN: CHK: APPR:	REVISED 01/10/04	MATERIAL 材料	GENERAL TOLERANCES: (UNLESS SPECIFIED) 一般公差	SCALE 2-1	DESIGN UNITS mm □ mm □ INCH	THIRD ANGLE PROJECTION	DIMENSIONS: □ mm □ INCH ☒ mm □ INCH	SHT	REV
			EC NO. J2002-0786 DRWN: S.AKIYAMA CHK: J.MIYAZAWA APPR: Y.O.ITO								
A	0	0	RELEASED 01/02/16	FINISH 仕上げ	10 OVER 以上	30 UNDER 未満	±0.25	APPROVED BY & DATE <i>J. Miyazawa</i> / 01/25	MATERIAL NO. SEE CHART	DRAWING NO. SD-51233-008	SHEET NO. 4 OF 4
			EC NO. JD2001-1040 DRWN: S.AKIYAMA CHK: J.MIYAZAWA APPR: H.IKESUGI								
				INS. RANGE 被覆外径	—	ANGLE 角度	±3°	THIS DRAWING CONTAINS INFORMATION THAT IS PROPRIETARY TO MOLEX INCORPORATED AND SHOULD NOT BE USED WITHOUT WRITTEN PERMISSION.		SIZE B	

51233008.S04