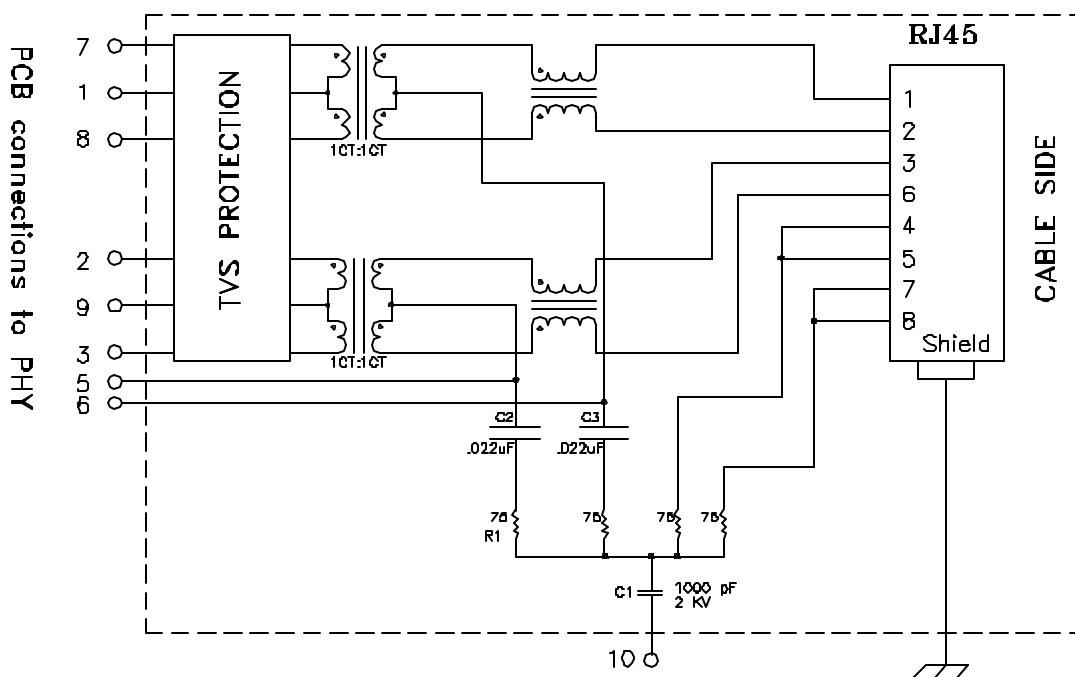


Schematic:

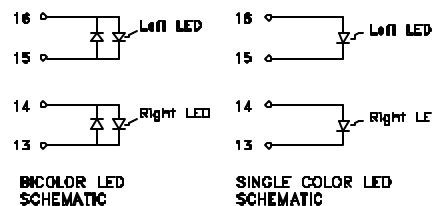


Electrical Specifications: @25°C

Isolation Voltage: 1500 VAc (Input to Output)
 Turns Ratio: TX 1CT:1CT ±3% RX 1CT:1CT ±3%
 Insertion Loss(TX/RX): -1.0dB Typ @1-100 MHz
 Return Loss: 1-10MHz 30MHz 60-80MHz
 -20dB -16dB -12dB (Typ)
 Cross Talk: 1-10MHz 30MHz 60-80MHz
 -40dB -35dB -30dB (Typ)
 Common Mode Rejection: 1-50MHz 50-130MHz
 -26dB -20dB(Typ)
 DC Current: 350mA
 Q: 18 Min @100KHz,0.1V

Notes:

- Solderability: Leads shall meet MIL-STD-202G, Method 208H for solderability.
- Flammability: UL94V-0
- ASTM oxygen index: > 28%
- UL Recognized Component: File Number E165866
- Operating Temperature Range: All listed parameters are to be within tolerance from -40°C to +85°C
- Storage Temperature Range: -55°C to +125°C
- Aqueous wash compatible
- Electrical and mechanical specifications 100% tested
- RoHS Compliant Component
- Designed to meet GR1089 Intra-Building Lightning Standard



Complete the Combo P/N as follows:

Replace 'x' & 'u' in the part number with one of the LED color letters:
 Y=Yellow 'x' = Left LED Color
 G=Green 'u' = Right LED Color
 A=Amber
 R=Red
 C=Green(1)/Amber(2) Bicolor
 D=Amber(1)/Green(2) Bicolor
 M=Green(1)/Yellow(2) Bicolor
 N=Yellow(1)/Green(2) Bicolor
 P=Red(1)/Green(2) Bicolor
 Q=Green(1)/Red(2) Bicolor

Single Color LED: Bi-Color LED:

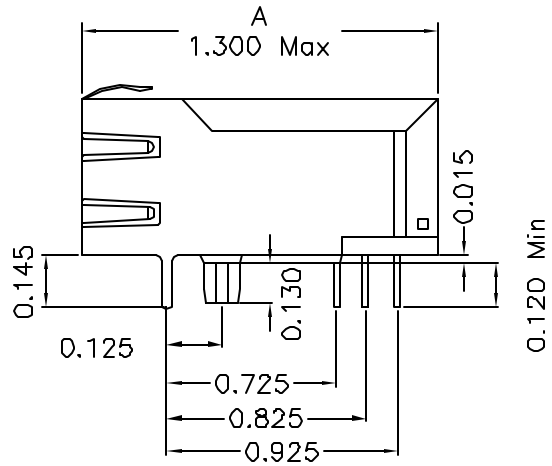
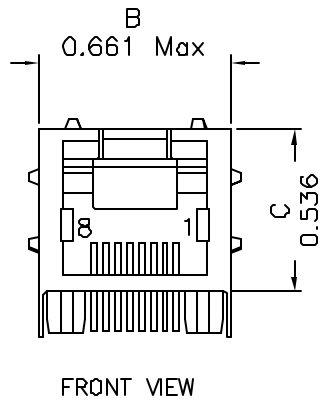
XFMRs Inc. www.XFMRS.com UNLESS OTHERWISE SPECIFIED TOLERANCES: .xxx ±0.010 Dimensions in Inch SHEET 1 OF 2	Title: SINGLE PORT COMBO		
	P/N: XFVOIP5QTVS-CTxu1-4L		REV. A
	DWN.	Feng	May-23-11
	CHK.	YK Liao	May-23-11
	APP.	Joe Huff	May-23-11

DOC. REV: A/4

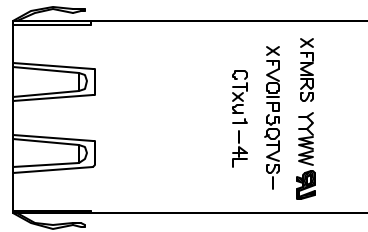
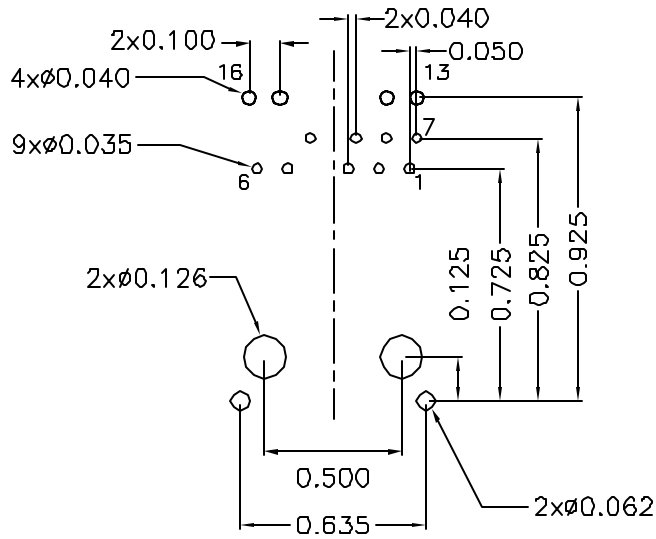
PROPRIETARY:

Document is the property of XFMRs Group & is not allowed to be duplicated without authorization.

Mechanical Dimensions:



Mounting Pattern:



TOP VIEW

****Remove Pin4+11+12

DOC REV: A/4

PROPRIETARY:

Document is the property of XFMRS Group & is not allowed to be duplicated without authorization.

XFMRS Inc. www.XFMRS.com	Title: Mechanical Dimensions For TAB UP RJ45 COMBO		
	UNLESS OTHERWISE SPECIFIED TOLERANCES: .xxx ±0.010 Dimensions in Inch	P/N: XFV0IP5QTVS-CTxu1-4L	REV. A
SHEET 2 OF 2	APP. Joe Huff	May-23-11	YK Liao May-23-11