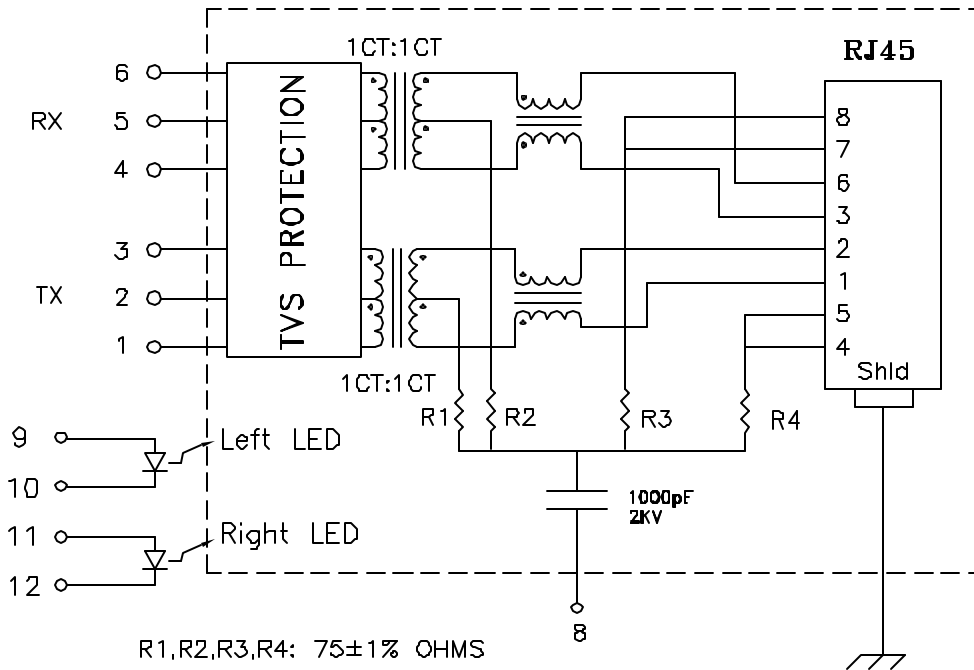


## Schematic:



## Electrical Specifications: @25°C

Isolation Voltage: 1500 Vac

Isolation Voltage: 500 Vac (P1+2+3 to P4+5+6)

UTP SIDE QCL: 350uH Min @100KHz 100mV 8mADC

Leakage Inductance: P6-P4 0.3uH Max @1MHz 100mV Short J6 and J3

Leakage Inductance: P3-P1 0.3uH Max @1MHz 100mV Short J2 and J1

Cww: (P6, P5, & P4) to (J6 & J3) 30pF Typ @100KHz 0.1V

Cww: (P3, P2, & P1) to (J2 & J1) 30pF Typ @100KHz 0.1V

DCR: (J6-J3) = (J2-J1) 1.2 Ohms Max

Rise Time (10-90%): 2.5ns Typ

Insertion Loss (100KHz-100MHz): -1.2dB Max

Return Loss: -18dB Min @1MHz - 30MHz

Return Loss: -12dB Typ @60MHz - 80MHz

Crosstalk: 30dB Typ @1MHz to 100MHz

Common Mode to Differential Mode Rejection:

1MHz-100MHz -35dB Typ (Tx) / -35dB Typ (Rx)

Q: 18 Min @100KHz 0.1V

### Notes:

- Solderability: Leads shall meet MIL-STD-202G, Method 208B for solderability.
- Flammability: UL94V-0
- ASTM oxygen Index: > 28%
- Insulation System: Class F 155°C, UL file E151556
- Operating Temperature Range: All listed parameters are to be within tolerance from -40°C to +85°C
- Storage Temperature Range: -55°C to +125°C
- Aqueous wash compatible
- Electrical and mechanical specifications 100% tested
- RoHS Compliant Component
- Designed to meet GR1089 Intra-Building Lightning Standard

DOC REV: B/1

### Complete the Combo P/N as follows:

Replace 'x' & 'u' in the part number with one of the LED color letters:	
Y=Yellow	'x' = Left LED Color
D=Green	'u' = Right LED Color
A=Amber	
R=Red	
C=Green(1)/Amber(2)	Bicolor
D=Amber(1)/Green(2)	Bicolor
W=Green(1)/Yellow(2)	Bicolor
N=Yellow(1)/Green(2)	Bicolor
P=Red(1)/Green(2)	Bicolor
G=Green(1)/Red(2)	Bicolor
E=Red(1)/Yellow(2)	Bicolor
F=Yellow(1)/Red(2)	Bicolor
H=Amber(1)/Yellow(2)	Bicolor
Single Color LED:	
Bicolor LED:	

**XFMRs Inc.**

Title: SINGLE PORT COMBO

UNLESS OTHERWISE SPECIFIED  
TOLERANCES:  
.xxx ±0.010

P/N: XFATM2TVS-CLxu1-2MS	REV. B
DWN.	Mei Chen Jan-26-10
CHK.	YK Liao Jan-26-10
APP.	Joe Huff Jan-26-10

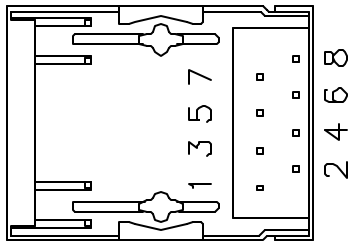
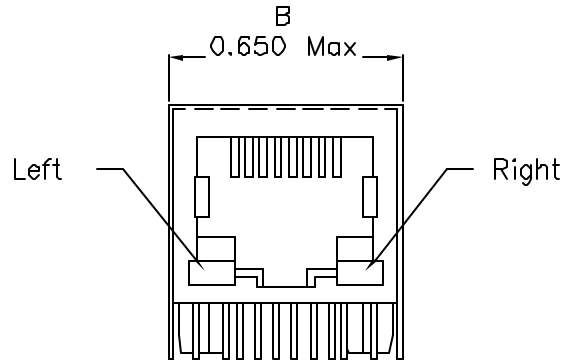
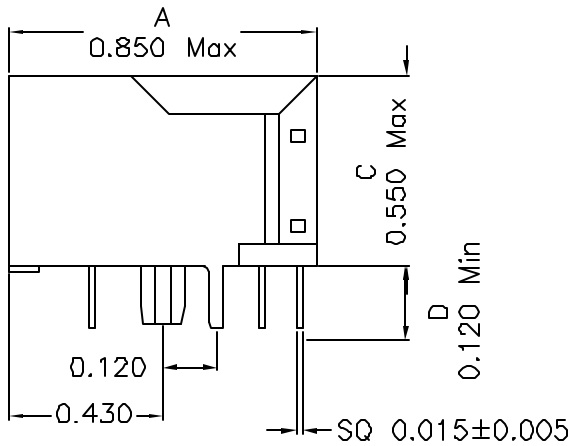
Dimensions in Inch

SHEET 1 OF 2

**PROPRIETARY**

Document is the property of XFMRs Group & is not allowed to be duplicated without authorization.

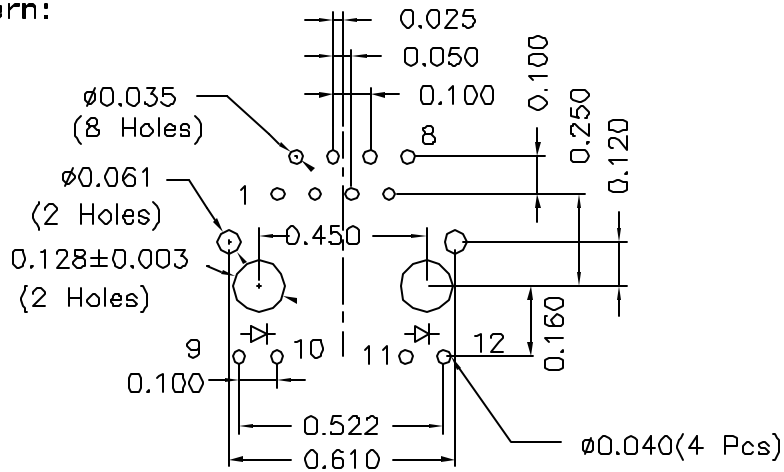
**Mechanical Dimensions:**



(BOTTOM VIEW)

**Mounting Pattern:**

(COMP SIDE)



<b>XFMR5 Inc.</b> www.XFMRS.com	Title: <b>SINGLE PORT COMBO</b>		
	UNLESS OTHERWISE SPECIFIED TOLERANCES: .xxx ±0.010 Dimensions in Inch	P/N: XFATM2TVS-CLxu1-2MS	REV. B
DOC. REV: B/1  <b>PROPRIETARY:</b> Document is the property of XFMR5 Group & is not allowed to be duplicated without authorization.	DWN.	Mei Chen	Jan-26-10
	CHK.	YK Liao	Jan-26-10
	APP.	Joe Huff	Jan-26-10
SHEET 2 OF 2			