



PM/P/P Cores Halves/EP/TT/PR Cores

Series/Type: P 41 x 25

The following products presented in this data sheet are being withdrawn.

Ordering Code	Substitute Product	Date of Withdrawal	Deadline Last Orders	Last Shipments
B65621J0000R026	B65621J0000R048	2002-08-02	2002-12-31	2003-03-31

For further information please contact your nearest EPCOS sales office, which will also support you in selecting a suitable substitute. The addresses of our worldwide sales network are presented at www.epcos.com/sales.



P 41 × 25

Core

B65621

■ Pot cores are supplied in sets

Magnetic characteristics (per set)

$$\Sigma l/A = 0,257 \text{ mm}^{-1}$$

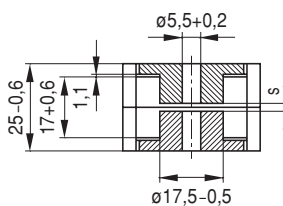
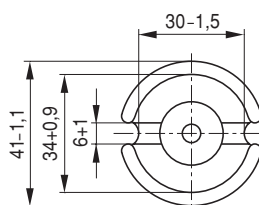
$$l_e = 62,1 \text{ mm}$$

$$A_e = 242 \text{ mm}^2$$

$$A_{\text{min}} = 200 \text{ mm}^2$$

$$V_e = 15\,000 \text{ mm}^3$$

Approx. weight 82 g/set



FPK0174-1

Gapped

Material	A_L value nH	s approx. mm	μ_e	Ordering code -J with center hole
N48	250 ± 3 %	1,35	51	B65621-J250-A48
	630 ± 3 %	0,43	129	B65621-J630-A48
	3150 ± 5 %	0,05	642	B65621-J3150-J48

Ungapped

Material	A_L value nH	μ_e	Ordering code -J with center hole
N26	8400 + 30/- 20 %	1720	B65621-J-R26



P 41 × 25

Accessories

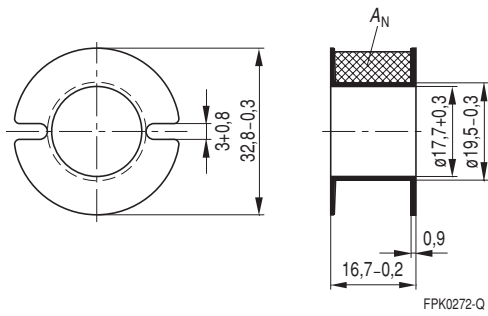
B65622

Coil former

Material: GFR polycarbonate (UL 94 V-0, insulation class to IEC 60085:
E \geq max. operating temperature 120 °C)

Winding: see "Processing Notes", page 155

Sections	A_N mm ²	l_N mm	A_R value $\mu\Omega$	Ordering code
1	80	81	33	B65622-A-M1





P 41 × 25

Accessories

B65623

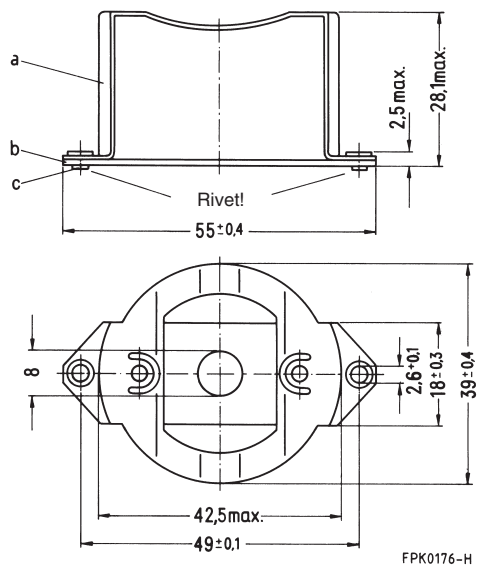
Mounting assembly for chassis mounting

- The set comprises a yoke and a metal base plate
- Fixing by screws or rivets

Yoke

Spring yoke, made of nickel silver (0,5 mm)

Complete mounting assembly (with tubular rivets)
Ordering code: B65623-A1



- a) Yoke
- b) Base plate
- c) Tubular rivets

Herausgegeben von EPCOS AG

Marketing Kommunikation, Postfach 80 17 09, 81617 München, DEUTSCHLAND

© EPCOS AG 2000. Alle Rechte vorbehalten. Vervielfältigung, Veröffentlichung, Verbreitung und Verwertung dieser Broschüre und ihres Inhalts ohne ausdrückliche Genehmigung der EPCOS AG nicht gestattet.

Mit den Angaben in dieser Broschüre werden die Bauelemente spezifiziert, keine Eigenschaften zugesichert. Bestellungen unterliegen den vom ZVEI empfohlenen Allgemeinen Lieferbedingungen für Erzeugnisse und Leistungen der Elektroindustrie, soweit nichts anderes vereinbart wird.

Diese Broschüre ersetzt die vorige Ausgabe.

Fragen über Technik, Preise und Liefermöglichkeiten richten Sie bitte an den Ihnen nächstgelegenen Vertrieb der EPCOS AG oder an unsere Vertriebsgesellschaften im Ausland.

Bauelemente können aufgrund technischer Erfordernisse Gefahrstoffe enthalten. Auskünfte darüber bitten wir unter Angabe des betreffenden Typs ebenfalls über die zuständige Vertriebsgesellschaft einzuholen.

Published by EPCOS AG

Marketing Communications, P.O. Box 80 17 09, 81617 Munich, GERMANY

© EPCOS AG 2000. All Rights Reserved. Reproduction, publication and dissemination of this brochure and the information contained therein without EPCOS' prior express consent is prohibited.

The information contained in this brochure describes the type of component and shall not be considered as guaranteed characteristics. Purchase orders are subject to the General Conditions for the Supply of Products and Services of the Electrical and Electronics Industry recommended by the ZVEI (German Electrical and Electronic Manufacturers' Association), unless otherwise agreed.

This brochure replaces the previous edition.

For questions on technology, prices and delivery please contact the Sales Offices of EPCOS AG or the international Representatives.

Due to technical requirements components may contain dangerous substances. For information on the type in question please also contact one of our Sales Offices.