

PLEASE CHECK WWW.MOLEX.COM FOR LATEST PART INFORMATION

Part Number: [0684210034](#)
Status: **Active**
Description: Sleeve for Crimp Housing, Blue

Documents:

[Drawing \(PDF\)](#) [RoHS Certificate of Compliance \(PDF\)](#)
[Product Specification PS-68421-001 \(PDF\)](#)

General

Product Family	Accessories
Series	68421
Comments	X Axis Stopper
Component Type	Boot
Product Name	N/A

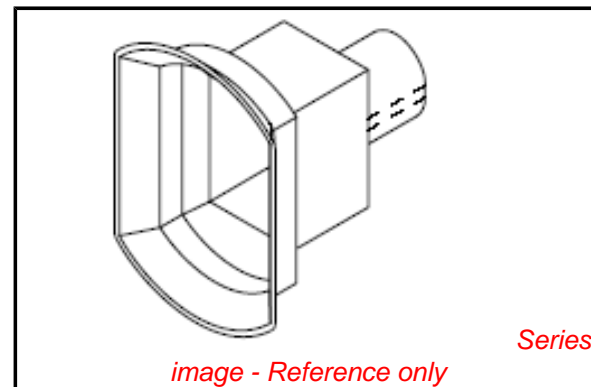
Physical

Circuits (Loaded)	N/A
Circuits (maximum)	0
Gender	N/A
Lock to Mating Part	No
Number of Rows	0
Packaging Type	Bag
Polarized to Mating Part	N/A
Temperature Range - Operating	105°C

Material Info

Reference - Drawing Numbers

Product Specification	PS-68421-001
Sales Drawing	SD-68421-001



EU RoHS

**ELV and RoHS
Compliant**
REACH SVHC
 Not Reviewed
**Halogen-Free
Status**
 Not Reviewed

China RoHS



**Need more information on product
environmental compliance?**

Email productcompliance@molex.com
 For a multiple part number RoHS Certificate of Compliance, [click here](#)

Please visit the [Contact Us](#) section for any non-product compliance questions.

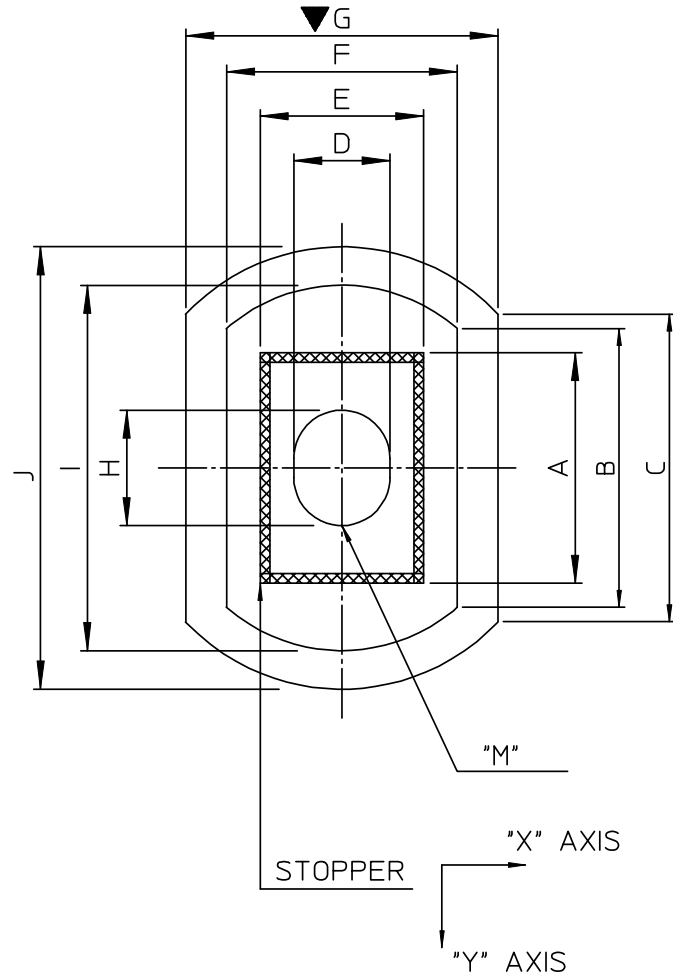
Search Parts in this Series

[68421Series](#)

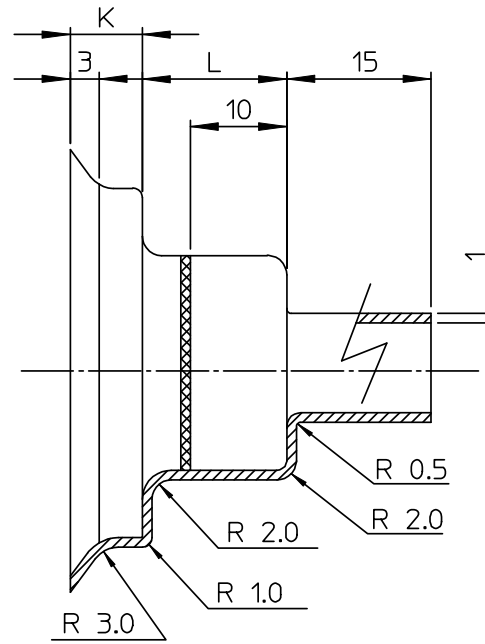
Use With

[35150](#) Wire-to-Wire VersaBlade™ Hybrid Plug Housing

MATERIAL NO.	ENG NO.	A	B	C	D	E	F	G	H	I	J	K	L	"M"	STOPPER	APPLICABLE HSG	COLOR
684210030	68421-0030	13.0	16.0	20.0	6.5	8.0	14.0	22.5	6.5	21.5	30.0	6.5	13.5	6.5±0.25 HOLE	Y AXIS	35150-0210	TRANSPARENCY
684210040	68421-0040	16.0	17.0	23.5	9.0	17.0	24.0	31.5	9.0	29.5	39.5	7.5	14.5	9.0±0.25 HOLE	Y AXIS	35180-0400	TRANSPARENCY
684210050	68421-0050	24.0	29.0	33.0	10.0	17.0	25.5	36.0	10.0	38.0	49.0	7.5	15.0	10.0±0.25 HOLE	Y AXIS	35180-0600	TRANSPARENCY
684210034	68421-0034	17.5	18.0	24.5	10.0	13.5	20.5	31.0	10.0	27.7	40.0	9.0	13.5	10.0±0.25 HOLE	X AXIS	35150-0410	BLUE
684210044	68421-0044	22.8	22.7	26.7	10.5	18.0	22.0	31.5	10.5	31.5	40.5	8.7	12.5	10.5±0.25 HOLE	Y AXIS	35150-0610	BLUE



NOTES
1. MATERIAL : SF-PVC (UL 105A)



REVISED EC NO: KOR2008-0170 DRWN: JHPARK01 CHKD: W. YANG APPR: YUNS IKK IM	DESCRIPTION 2008/04/21 2008/04/21 2008/04/22	QUALITY SYMBOLS	GENERAL TOLERANCES (UNLESS SPECIFIED)	DIMENSION STYLE	SCALE	DESIGN UNITS	THIRD ANGLE PROJECTION
		$\nabla=0$ $\sphericalangle=0$	MM ONLY	2:1	METRIC		
B	REV	4 PLACES	± 0.15	± 0.005	DRAWN BY	DATE	TITLE
		3 PLACES	± 0.10	± 0.005	JB. JIN	2002/05/03	
		2 PLACES	± 0.25	± 0.005	CHECKED BY	DATE	MOLEX INCORPORATED
		1 PLACE	± 0.20	± 0.005	WY. YANG	2002/05/03	
					APPROVED BY	DATE	SHEET NO.
					CW. LEE	2002/05/03	
			ANGULAR ± 1°		MATERIAL NO.	DOCUMENT NO.	
			DRAFT WHERE APPLICABLE MUST REMAIN WITHIN DIMENSIONS	SEE TABLE			
				SIZE A3	THIS DRAWING CONTAINS INFORMATION THAT IS PROPRIETARY TO MOLEX INCORPORATED AND SHOULD NOT BE USED WITHOUT WRITTEN PERMISSION		