

PLEASE CHECK WWW.MOLEX.COM FOR LATEST PART INFORMATION

Part Number: [0307004241](#)
Status: **Active**
Overview: [hdac 64 dualrow high density automotive connectors](#)
Description: 2.54mm (.100"), 3.50mm (.138") Pitch, H-DAC 64™ Hybrid Header, Dual Row, Vertical, Polarization Option B, Black, 24 Circuits

Documents:

[Application Specification \(PDF\)](#) [Product Specification PS-30700-024 \(PDF\)](#)
[Drawing \(PDF\)](#) [RoHS Certificate of Compliance \(PDF\)](#)

General

Product Family	PCB Headers
Series	30700
Application	Board-to-Board
Comments	Polarization Option B
Overview	hdac 64 dualrow high density automotive connectors
Product Name	H-DAC 64™

Physical

Breakaway	No
Circuits (Loaded)	24
Circuits (maximum)	24
Color - Resin	Black
Durability (mating cycles max)	10
First Mate / Last Break	No
Glow-Wire Compliant	No
Guide to Mating Part	No
Keying to Mating Part	None
Lock to Mating Part	Yes
Material - Metal	Copper
Material - Plating Mating	Tin
Material - Plating Termination	Nickel
Material - Resin	Modified Polystyrene
Number of Rows	2
Orientation	Vertical
PC Tail Length (in)	0.145 In
PC Tail Length (mm)	3.69 mm
PCB Locator	Yes
PCB Retention	Yes
PCB Thickness Recommended (in)	0.061 In
PCB Thickness Recommended (mm)	1.57 mm
Packaging Type	Tray
Pitch - Mating Interface (in)	0.100 In
Pitch - Mating Interface (mm)	2.54 mm
Polarized to Mating Part	Yes
Polarized to PCB	Yes
Shrouded	Fully
Stackable	No
Surface Mount Compatible (SMC)	No
Temperature Range - Operating	-40°C to +105°C
Termination Interface: Style	Through Hole

Electrical

Current - Maximum per Contact	7A
Voltage - Maximum	500V

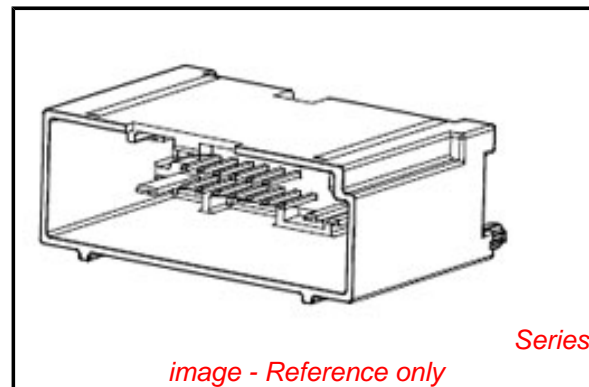


image - Reference only

EU RoHS

**ELV and RoHS
Compliant**
**REACH SVHC
Not Reviewed**
**Halogen-Free
Status**

China RoHS



**Need more information on product
environmental compliance?**

Email productcompliance@molex.com
For a multiple part number RoHS Certificate of Compliance, [click here](#)

Please visit the [Contact Us](#) section for any non-product compliance questions.

Search Parts in this Series

[30700Series](#)

Mates With

[307001](#) H-DAC 64™ High Density Crimp Housing

Material Info

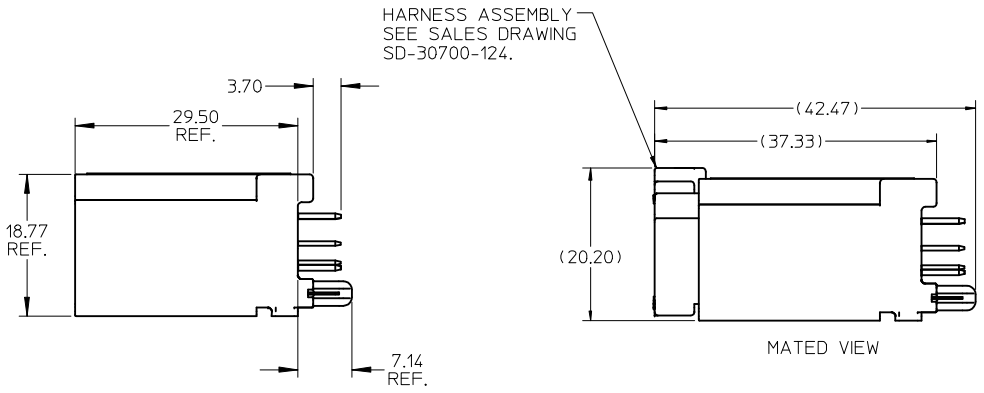
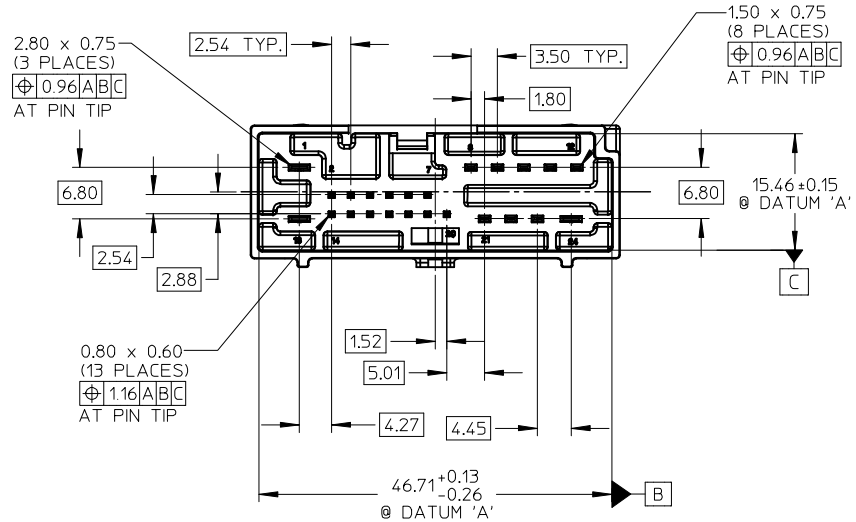
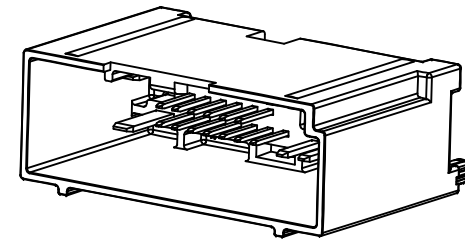
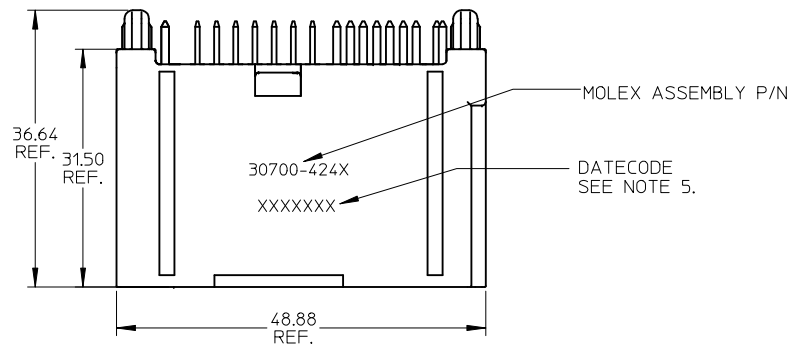
Reference - Drawing Numbers

Packaging Specification
Product Specification
Sales Drawing

PK-30907-261
PS-30700-024
SD-30700-424

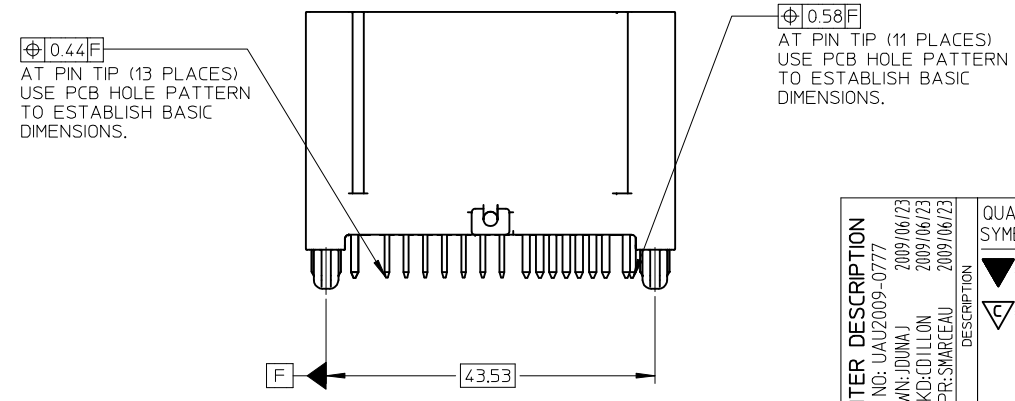
This document was generated on 06/07/2010

PLEASE CHECK WWW.MOLEX.COM FOR LATEST PART INFORMATION



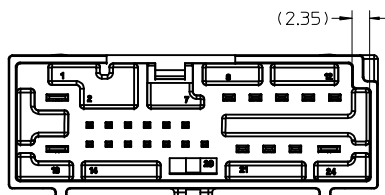
NOTES:

- MATERIAL: HOUSING: SPS, GLASS FILLED, COLOR: SEE CHART. TERMINAL: COPPER ALLOY C26000. PIN ALIGNMENT PLATE: MYLAR, COLOR: NATURAL (WHITE).
- FINISHES: TERMINAL: TIN (Sn) OVERALL; NICKEL (Ni) UNDERPLATE OVERALL.
- PACKAGING SPECIFICATION : TRAY: PK-30907-261.
- MATES WITH: SERIES 30700, SEE SALES DRAWING SD-30700-124.
- DATECODE DESCRIPTION:
 - 1ST DIGIT: MACHINE ID# (ALWAYS WILL BE '2')
 - 2ND THROUGH 4TH DIGIT: DAY# OF THE CALENDAR YEAR (EXAMPLE: FEB, 3RD = '034')
 - 5TH DIGIT: LAST DIGIT OF THE CALENDAR YEAR (EXAMPLE: 1999 = '9')
 - 6TH THROUGH 7TH DIGIT: HOUR OF THE DAY.
- RECOMMENDED OPTIONAL SCREW: M2 x 0.89, 6mm IN LENGTH, PAN COLLAR HEAD, 6 LOBE. TORQUE: 7 NEWTON CENTIMETERS

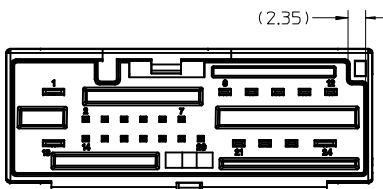


ENTER DESCRIPTION EC NO: UAU2009-0777 DRWN: JUNA J 2009/06/23 CHKD: OLLON 2009/06/23 APPR: SMARCEAU 2009/06/23	QUALITY SYMBOLS ▽=0 ▽=0	GENERAL TOLERANCES (UNLESS SPECIFIED)		DIMENSION STYLE MM ONLY	SCALE 2:1	DESIGN UNITS METRIC	THIRD ANGLE PROJECTION
		4 PLACES ± --- ± --- 3 PLACES ± --- ± --- 2 PLACES ± 0.13 ± --- 1 PLACE ± 0.25 ± ---	mm INCH DRAWN BY DATE RCARLSON 01/04/04 CHECKED BY DATE CKRISHNA 01/04/24 APPROVED BY DATE LGEIB 01/04/24	TITLE 24 CIRCUIT VERTICAL HEADER ASSEMBLY SALES DRAWING		MATERIAL NO. 9999999999	DOCUMENT NO. SD-30700-424
DRAFT WHERE APPLICABLE MUST REMAIN WITHIN DIMENSIONS		THIS DRAWING CONTAINS INFORMATION THAT IS PROPRIETARY TO MOLEX INCORPORATED AND SHOULD NOT BE USED WITHOUT WRITTEN PERMISSION					

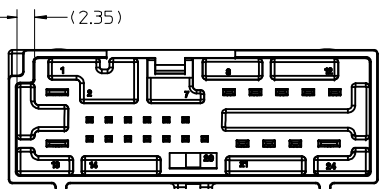
PACKAGING		POLARIZATION OPTIONS & COLOR	
ASSEMBLY P/N TRAY PACKED	ASSEMBLY P/N TUBE PACKED	VERTICAL HEADER ASSEMBLY (POLARIZATION OPTIONS)	HOUSING COLOR
30700-4240	30700-4244	POLARIZATION OPTION 'A'	GRAY
30700-4241	30700-4245	POLARIZATION OPTION 'B'	BLACK
30700-4242	30700-4246	POLARIZATION OPTION 'C'	NATURAL
	30700-4248	POLARIZATION OPTION 'A'	GRAY
	30700-4249	POLARIZATION OPTION 'B'	BLACK
	30700-4247	POLARIZATION OPTION 'C'	NATURAL



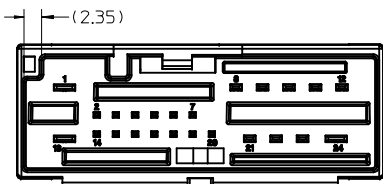
30700-4240
POLARIZATION 'A'



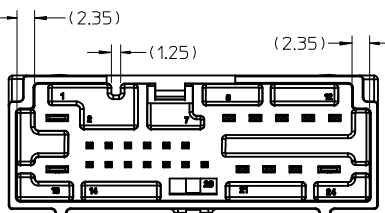
30700-4248
POLARIZATION 'A'



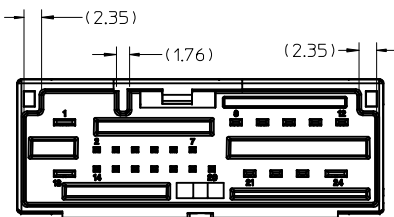
30700-4241
POLARIZATION 'B'



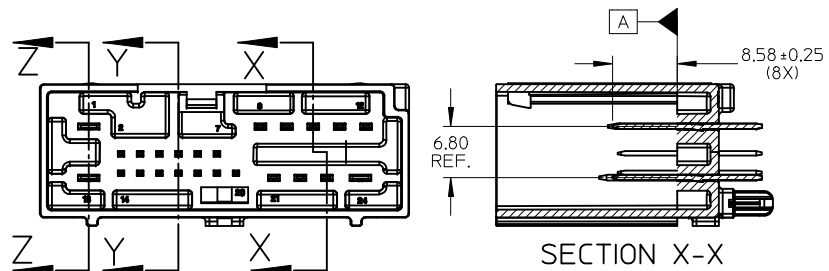
30700-4249
POLARIZATION 'B'



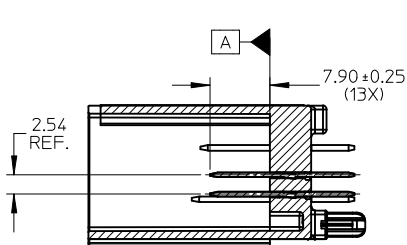
30700-4242
POLARIZATION 'C'



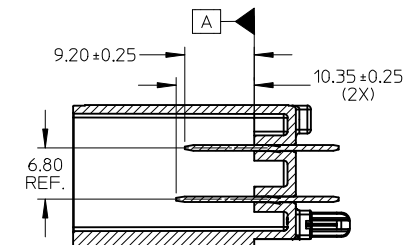
30700-4247
POLARIZATION 'C'



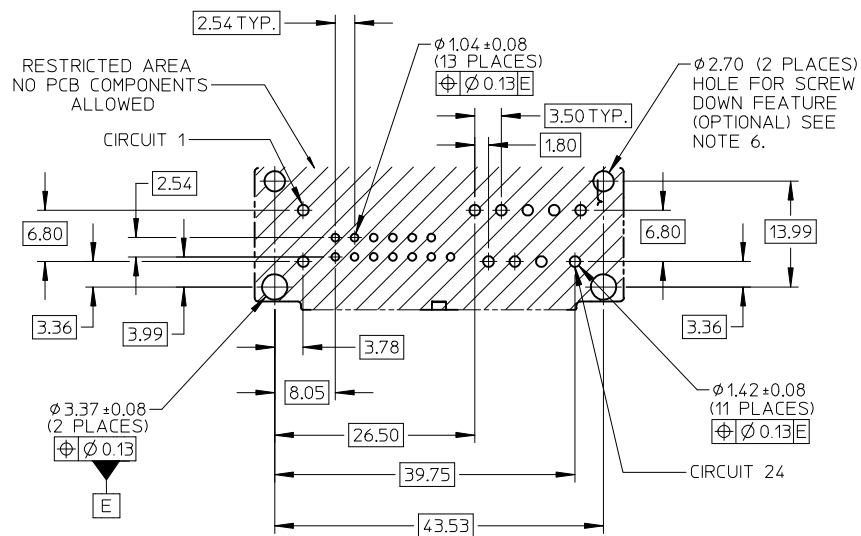
SECTION X-X



SECTION Y-Y



SECTION Z-Z



PCB LAYOUT: COMPONENT SIDE
RECOMMENDED PCB THICKNESS: 1.57±0.17

ENTER DESCRIPTION EC NO: UAU2009-0777 DRWN: DUNAJ 2009/06/23 CHKD: COLLON 2009/06/23 APPR: SMARCEAU 2009/06/23	QUALITY SYMBOLS 	GENERAL TOLERANCES (UNLESS SPECIFIED) <table border="1"> <thead> <tr> <th></th> <th>mm</th> <th>INCH</th> </tr> </thead> <tbody> <tr> <td>4 PLACES ±</td> <td>---</td> <td>---</td> </tr> <tr> <td>3 PLACES ±</td> <td>---</td> <td>---</td> </tr> <tr> <td>2 PLACES ±</td> <td>0.13</td> <td>---</td> </tr> <tr> <td>1 PLACE ±</td> <td>0.25</td> <td>---</td> </tr> <tr> <td colspan="3">ANGULAR ± 1°</td> </tr> </tbody> </table>		mm	INCH	4 PLACES ±	---	---	3 PLACES ±	---	---	2 PLACES ±	0.13	---	1 PLACE ±	0.25	---	ANGULAR ± 1°			DIMENSION STYLE MM ONLY	SCALE 2:1	DESIGN UNITS METRIC	THIRD ANGLE PROJECTION
				mm	INCH																			
4 PLACES ±	---	---																						
3 PLACES ±	---	---																						
2 PLACES ±	0.13	---																						
1 PLACE ±	0.25	---																						
ANGULAR ± 1°																								
DRAFT WHERE APPLICABLE MUST REMAIN WITHIN DIMENSIONS	MATERIAL NO. 9999999999	DATE 01/04/04 01/04/24 01/04/24	24 CIRCUIT VERTICAL HEADER ASSEMBLY SALES DRAWING MOLEX INCORPORATED			SHEET NO. 2 OF 2																		
THIS DRAWING CONTAINS INFORMATION THAT IS PROPRIETARY TO MOLEX INCORPORATED AND SHOULD NOT BE USED WITHOUT WRITTEN PERMISSION																								