

PLEASE CHECK WWW.MOLEX.COM FOR LATEST PART INFORMATION

Part Number: [0003091033](#)
Status: **Active**
Overview: [standard_093](#)
Description: 2.36mm (.093") Diameter Standard .093 Pin and Socket Receptacle Housing, 3 Circuits, Single Row, Free-Hanging, without Passive Lock Ramps

Documents:

3D Model	Product Specification PS-02-09 (PDF)
Packaging Specification (PDF)	Product Specification PS-43660-9999 (PDF)
Drawing (PDF)	RoHS Certificate of Compliance (PDF)

Agency Certification

CSA	LR19980
UL	E29179

General

Product Family	Crimp Housings
Series	1396
Comments	17.0A max. can be achieved when housing is used with 42477 or 42478 terminals
Overview	standard_093
Product Name	Standard .093"

Physical

Circuits (maximum)	3
Color - Resin	Natural
Flammability	94V-2
Gender	Dual
Glow-Wire Compliant	No
Lock to Mating Part	None
Material - Resin	Nylon
Number of Rows	1
Packaging Type	Bag
Panel Mount	No
Pitch - Mating Interface (in)	0.198 In
Pitch - Mating Interface (mm)	5.03 mm
Stackable	No
Temperature Range - Operating	-40°C to +105°C

Electrical

Current - Maximum per Contact	14A
-------------------------------	-----

Material Info

Old Part Number	1396-R2
-----------------	---------

Reference - Drawing Numbers

Packaging Specification	PK-1396-001
Product Specification	PS-02-09, PS-43660-9999
Sales Drawing	SD-1396-*, SD-1396-001

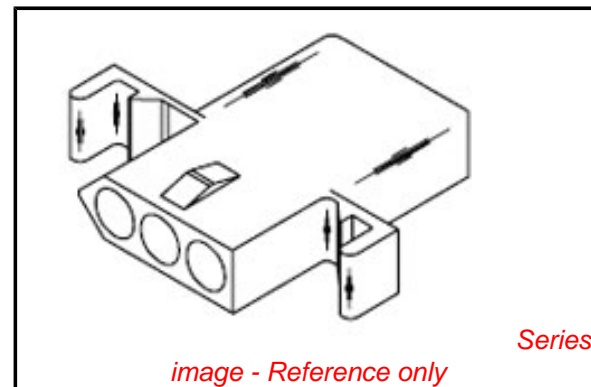


image - Reference only

EU RoHS

ELV and RoHS Compliant

REACH SVHC

Contains SVHC: No

Halogen-Free

Status

Halogen-Free

Need more information on product environmental compliance?

Email productcompliance@molex.com
 For a multiple part number RoHS Certificate of Compliance, [click here](#)

Please visit the [Contact Us](#) section for any non-product compliance questions.

China RoHS



Search Parts in this Series

[1396Series](#)

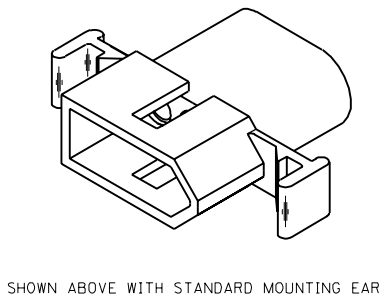
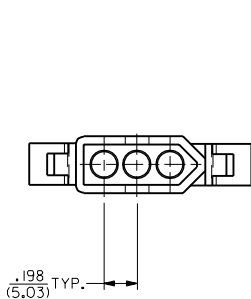
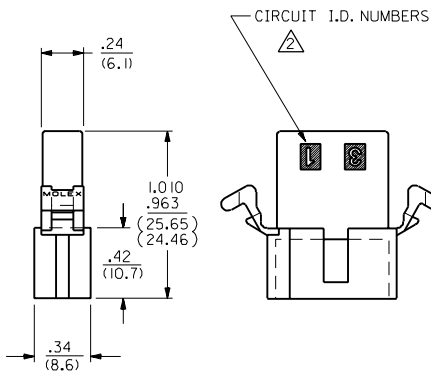
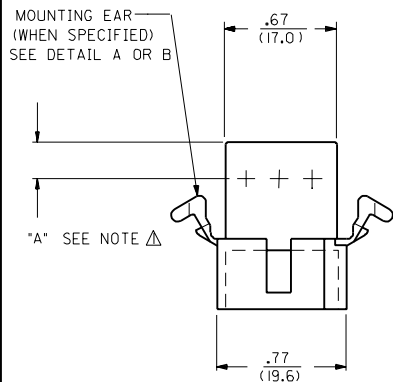
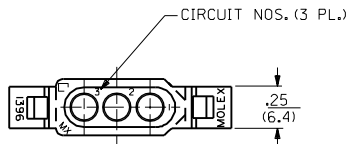
Mates With

[3099](#) shrouded PCB connector, [1396p](#)

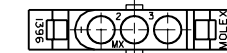
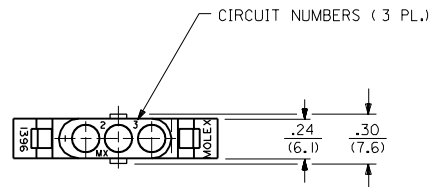
Use With

[1189](#) Crimp Terminals, [1190](#) Crimp Terminals, [1376](#) Male PC Tail Terminals, [1377](#) Female PC Tail Terminals, [1380](#) Male Crimp Terminals, [1381](#) Female Crimp Terminals, [1433](#) Crimp Terminals, [1434](#) Male Crimp Terminals, [1973](#) , [2151](#) , [2273](#) , [2870](#) , [2871](#) , [4272](#) , [4550](#) , [6271](#) , [6310](#) , [42477](#) , [42478](#)

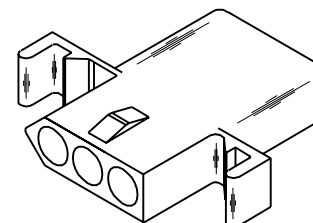
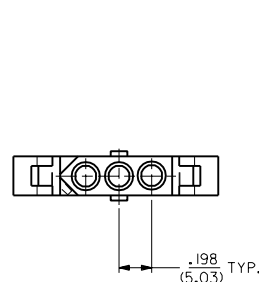
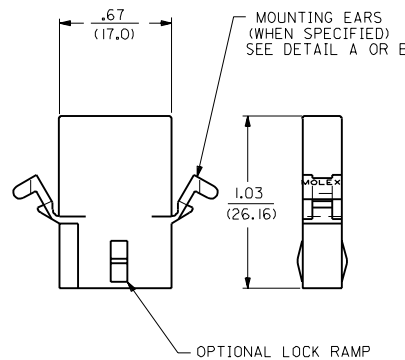
PLUG



RECEPTACLE



OPTIONAL END CONFIGURATION



NOTES:
 Δ DIMENSION FROM THE BACK OF HOUSING TO THE END OF THE BRUSH ON THE WIRE INSERTED INTO THE HOUSING
 DIM "A" = .256/6.50 FOR 42477 & 42478 TERMINALS
 .216/5.49 FOR ALL OTHER .093 TERMINALS
 DIM "B" = .377/9.58 FOR 42477 & 42478 TERMINALS
 .337/8.56 FOR ALL OTHER .093 TERMINALS

Y3	REVISED PER UCR2000-0583 3/1/00 DDB
Y2	REMOVE -R3, -R5 VER. PER ECON #UG 1479 6-10-96 RW
Y1	X-REMOVE 1396-R4 ECR U3 1583 GC 10/26/93 RW
Y	ADD CKT. I.D. #'S PER ECR U3 0683 GC 5/4/93 RW
X	REV MAT'L SPECS. ECR U2-1491 10-08-92 A.GUZIK
W1	ADD -D VERSIONS. ECR U1 1106 GC 7/25/91 RW
W	REVISE ON CAD ECR #UB 1381 JJS 4-24-88 RW
2	Y2
1	Y3
MFG. SH.	REV. LTR.

DIMENSIONS SHOWN METRIC (INCH) UNLESS OTHERWISE SPECIFIED TOLERANCES ANGULAR ± 1/2°		▽ = 0	▼ = 0	REVISE ONLY ON CAD SYSTEM
TITLE .093/(2.36) HOUSING, PLUG & RECEPTACLE 3 CIRCUIT, 198/(5.03) C		PART NO. SD-1396-•		
DRAWN BY JUS		CHKD. BY RW	FILE NAME S1396,3X1	DATE 4/3/88
APP'D. BY RAS		SCALE 2:1	DRWG. NO.	SHEET NO. 1 OF 2
MOLEX INCORPORATED LISLE, ILL. 60532 U.S.A.		THIS DRAWING CONTAINS INFORMATION THAT IS PROPRIETARY TO MOLEX INC. AND SHOULD NOT BE USED WITHOUT WRITTEN PERMISSION. CP		

13 12 11 10 9 8 7 6 5 4 3 2 1

PLUG		RECEPTACLE	
ORDER NO.	ENG. NO.	ORDER NO.	ENG. NO.
03-09-2031	I396-P	03-09-1031	I396-R
03-09-2032	I396-P1	03-09-1032	I396-R1
03-09-7032	I396-P1BK	03-09-1033	I396-R2
03-09-7031	I396-PBK	03-09-6033	I396-R2BK
PRELIMINARY	I396-P-B	03-09-6032	I396-R1BK
		03-09-6031	I396-RBK
		PRELIMINARY	I396-R-B
		PRELIMINARY	I396-R1-B
		03-09-1081	I396-R4

LEGEND:

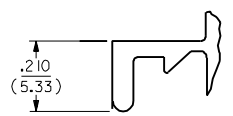
I396-*****

P = PLUG
R = RECEPTACLE

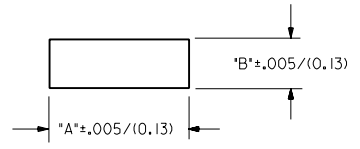
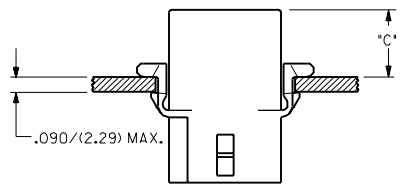
BLANK = WITH STANDARD EARS
 1 = WITHOUT EARS
 2 = RECEPTACLE WITHOUT EARS, WITHOUT LOCK RAMP
 3 = PLUG ONLY, W/ SIDE MOUNT (SEE SD-I396-P3)
 4 = WITH PREBENT EARS

COLOR: BLANK=NATURAL COLOR
 AM=AMBER BK=BLACK BU=BLUE
 BN=BROWN CY=GRAY GN=GREEN
 OR=ORANGE RD=RED YW=YELLOW

BLANK = NYLON 6/6, 94V-2
 B = NYLON TYPE 6/6, 94V-2, UV STABILIZED



DETAIL A
STANDARD MOUNTING EAR
(SCALE 4:1)

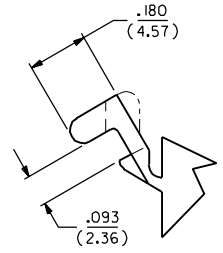
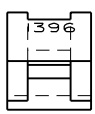


RECOMMENDED PANEL MOUNTING HOLE

HOUSING	DIM. "A"	DIM. "B"	"C" PREBENT EAR	"C" STANDARD EAR
PLUG	.933/(23.70)	.375/(9.53)	.40/(10.2)	.38/(9.7)
RECEPT.	.830/(21.08)	.312/(7.92)	.41/(10.4)	.39/(9.9)

NOTES:

- 1. MOLEX PRODUCT SPEC 02-09 APPLIES.
- 2. CIRCUIT I.D. NUMBERS ON SIDE OF HOUSING APPEAR ON PARTS FROM TOOLS BUILT AFTER 5/4/93.



DETAIL B
PREBENT MOUNTING EAR
(SCALE 4:1)

I396

I396

REVISIONS ONLY ON CAD SYSTEM

DIMENSIONS SHOWN (METRIC) INCH		UNLESS OTHERWISE SPECIFIED TOLERANCES ANGLES ARE 1/2°	
INCH	METRIC	INCH	METRIC
3 PLACE ± .010	---	3 PLACE ± .010	---
2 PLACE ± .014	± 0.25	2 PLACE ± .014	± 0.25
1 PLACE ---	± 0.35	1 PLACE ---	± 0.35

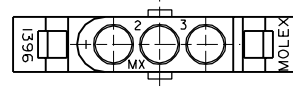
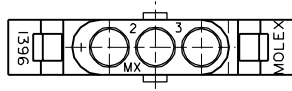
DRAFT WHERE APPLICABLE MUST REMAIN WITHIN DIMENSIONS

DRWG. BY: JJS	CHK'D. BY: RW
APP'D. BY: RAS	SCALE: :

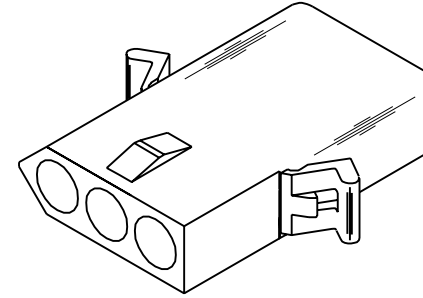
FILE NAME: S13962X2	THIS DRAWING CONTAINS INFORMATION THAT IS PROPRIETARY TO MOLEX INC. AND SHOULD NOT BE USED WITHOUT WRITTEN PERMISSION.
DATE: 4/8/88	CP C

13 12 11 10 9 8 7 6 5 4 3 2 1

DWG. NO. SD-1396-001

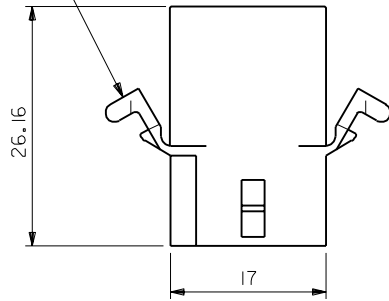


OPTIONAL END CONFIGURATION

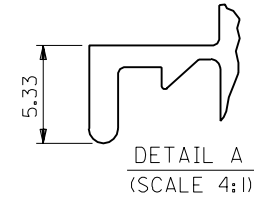
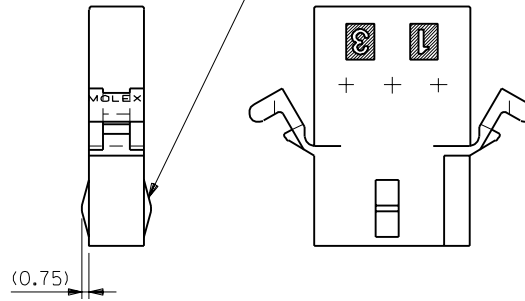


RECEPTACLE

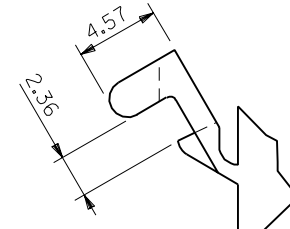
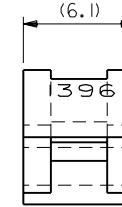
MT'G EARS (表参照)
参照 DETAIL A OR B



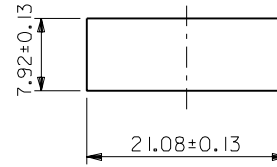
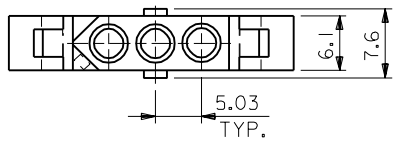
LOCKING TAB (表参照)



DETAIL A
(SCALE 4:1)



DETAIL B
(SCALE 4:1)



パネル取付穴寸法
(パネル厚 2.29最大)

I396R4	03-09-1081	有	WITH	有	WITH DETAIL B
I396R2	03-09-1033	無	WITHOUT	無	WITHOUT
I396R1	03-09-1032	有	WITH	無	WITHOUT
I396R	03-09-1031	有	WITH	有	WITH DETAIL A
ENG. NO.	EDP NO.	LOCKING TABS		MT'G EARS	

MODEL NO.	03-09-1***	DIMENSIONS:	SHT	REV
SCALE	2:1	THIRD ANGLE PROJECTION	<input type="checkbox"/> mm	<input type="checkbox"/> INCH
DESIGN UNITS	<input checked="" type="checkbox"/> mm <input type="checkbox"/> INCH		<input type="checkbox"/> mm	<input checked="" type="checkbox"/> INCH
DRAWN BY & DATE	K.KOHAMA 00/08/28	TITLE:	3 CIRCUITS RCPT HSG (0.093 DIA TERMINAL)	
CHECKED BY & DATE	T.YAMAGUCHI 00/08/28	MOLEX INCORPORATED		
APPROVED BY & DATE	M.FUKUSHIMA 00/08/28	MATERIAL NO.	DRAWING NO.	SHEET NO.
CAD FILENAME	I396001.S01	SEE NOTES	SD-1396-001	1 OF 1

DO NOT SCALE DRAWING

EC NO. DRWN: CHK'G: APPR:	EC NO. DRWN: CHK'G: APPR:	EC NO. DRWN: CHK'G: APPR:	EC NO. DRWN: CHK'G: APPR:
------------------------------------	------------------------------------	------------------------------------	------------------------------------

RELEASED
EC NO. JC2001-0078
DRWN: K.KOHAMA 00/08/28
CHK'G: T.YAMAGUCHI
APPR: M.FUKUSHIMA

MATERIAL 材料	NYLON66 94V-2
FINISH 仕上り	
WIRE RANGE 適用電線範囲	
INS. RANGE 被覆外径	

GENERAL TOLERANCES: (UNLESS SPECIFIED) 一般公差	SCALE	DESIGN UNITS
10 UNDER 未満	+0.25 ±0.25	<input checked="" type="checkbox"/> mm <input type="checkbox"/> INCH
10 OVER 以上	+0.3 ±0.25	
30 UNDER 未満	+0.35 ±0.3	
30 OVER 以上	+0.35 ±0.3	
ANGLE 角度	+3°	

THIS DRAWING CONTAINS INFORMATION THAT IS PROPRIETARY TO MOLEX INCORPORATED AND SHOULD NOT BE USED WITHOUT WRITTEN PERMISSION.

EN-02J(097) MXJ-54