

**PLEASE CHECK WWW.MOLEX.COM FOR LATEST PART INFORMATION**

**Part Number:** [0003091032](#)  
**Status:** **Active**  
**Overview:** [standard\\_093](#)  
**Description:** 2.36mm (.093") Diameter Standard .093 Pin and Socket Receptacle Housing, 3 Circuits, Single Row

**Documents:**

<a href="#">3D Model</a>	<a href="#">Product Specification PS-02-09 (PDF)</a>
<a href="#">Packaging Specification (PDF)</a>	<a href="#">Product Specification PS-43660-9999 (PDF)</a>
<a href="#">Drawing (PDF)</a>	<a href="#">RoHS Certificate of Compliance (PDF)</a>

**Agency Certification**

CSA	LR19980
UL	E29179

**General**

Product Family	Crimp Housings
Series	<a href="#">1396</a>
Comments	17.0A max. can be achieved when housing is used with 42477 or 42478 terminals
Overview	<a href="#">standard_093</a>
Product Name	Standard .093"

**Physical**

Circuits (maximum)	3
Color - Resin	Natural
Flammability	94V-2
Gender	Dual
Glow-Wire Compliant	No
Material - Resin	Nylon
Number of Rows	1
Packaging Type	Bag
Panel Mount	No
Pitch - Mating Interface (in)	0.198 In
Pitch - Mating Interface (mm)	5.03 mm
Stackable	No
Temperature Range - Operating	-40°C to +105°C

**Electrical**

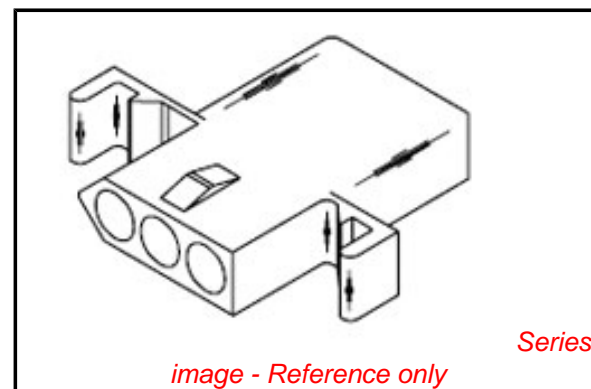
Current - Maximum per Contact	14A
-------------------------------	-----

**Material Info**

Old Part Number	1396-R1
-----------------	---------

**Reference - Drawing Numbers**

Packaging Specification	PK-1396-001
Product Specification	PS-02-09, PS-43660-9999
Sales Drawing	SD-1396-*, SD-1396-001, SDA-1840-3-*



**EU RoHS**

**ELV and RoHS Compliant**  
**REACH SVHC**  
**Contains SVHC: No**  
**Halogen-Free**  
**Status**  
**Halogen-Free**

**China RoHS**



**Need more information on product environmental compliance?**

Email [productcompliance@molex.com](mailto:productcompliance@molex.com)  
 For a multiple part number RoHS Certificate of Compliance, [click here](#)

Please visit the [Contact Us](#) section for any non-product compliance questions.

**Search Parts in this Series**

[1396Series](#)

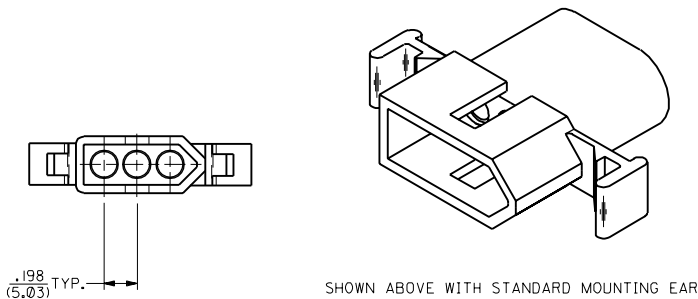
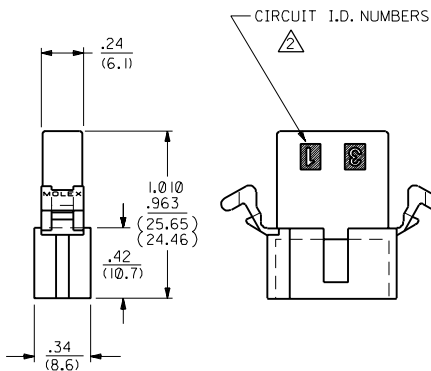
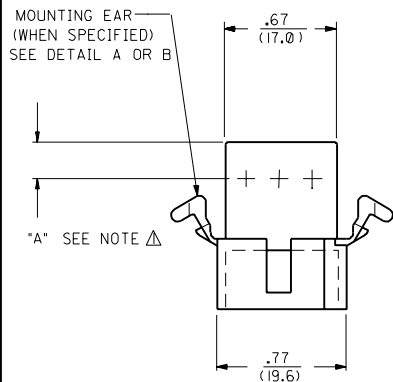
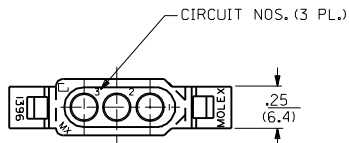
**Mates With**

[3099](#) shrouded PCB connector, [1396p](#)

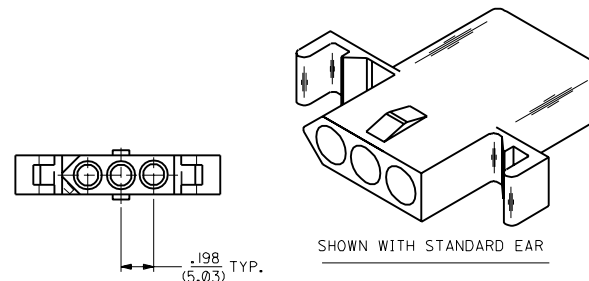
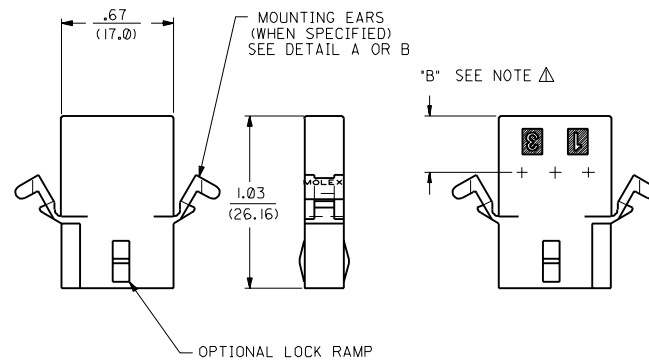
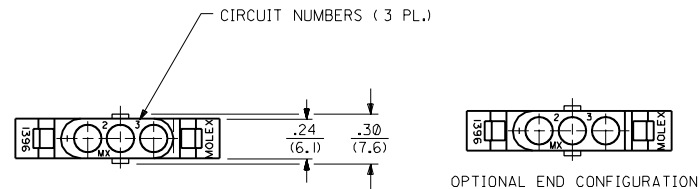
**Use With**

[1189](#) Crimp Terminals, [1190](#) Crimp Terminals, [1376](#) Male PC Tail Terminals, [1377](#) Female PC Tail Terminals, [1380](#) Male Crimp Terminals, [1381](#) Female Crimp Terminals, [1433](#) Crimp Terminals, [1434](#) Male Crimp Terminals, [1973](#) , [2151](#) , [2273](#) , [2870](#) , [2871](#) , [4272](#) , [4550](#) , [6271](#) , [6310](#) , [42477](#) , [42478](#)

# PLUG



# RECEPTACLE



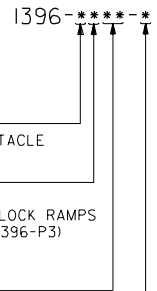
NOTES:  
 Δ DIMENSION FROM THE BACK OF HOUSING TO THE END OF THE BRUSH ON THE WIRE INSERTED INTO THE HOUSING  
 DIM "A" = .256/6.50 FOR 42477 & 42478 TERMINALS  
 .216/5.49 FOR ALL OTHER .093 TERMINALS  
 DIM "B" = .377/9.58 FOR 42477 & 42478 TERMINALS  
 .337/8.56 FOR ALL OTHER .093 TERMINALS

Y3	REVISED PER UCR2000-0583 3/1/00 DDS		
Y2	REMOVE -R3, -R5 VER. PER ECN #16 1479 6-10-96 RW		
Y1	X-REMOVE 1396-R4 ECR U3 1583 GC 10/26/93 RW		
Y	ADD CKT. I.D. #'S PER ECR U3 0683 GC 5/4/93 RW		
X	REV MAT'L SPECS. ECR U2-1491 10-08-92 A.GUZIK		
W1	ADD -D VERSIONS. ECR U1 1106 GC 7/25/91 RW		
W	REVISE ON CAD ECR #UB 1381 JJS 4-24-88 RW		
2	Y2		
1	Y3		
MFG. SH.	REV.	LTR.	REVISIONS

DIMENSIONS SHOWN METRIC/INCH		▽ = 0	▼ = 0	REVISE ONLY ON CAD SYSTEM	
UNLESS OTHERWISE SPECIFIED TOLERANCES ANGULAR ± 1/2°		TITLE		.093/(2.36) HOUSING, PLUG & RECEPTACLE	
		PART NO.		SHEET NO.	
		L15LEJLL		4 / 3 / 88	
		MOLEX INCORPORATED		DATE	
		60532		1 of 2	
		U.S.A.		DIV.	
		SEE SHEET 2		SD-1396-•	
DRWG. BY: RAS		CHKD. BY: RW		FILE NAME: S1396,3X1	
APP'D:		SCALE: 2 : 1		DIV.:	
				CP	

PLUG		RECEPTACLE	
ORDER NO.	ENG. NO.	ORDER NO.	ENG. NO.
03-09-2031	I396-P	03-09-1031	I396-R
03-09-2032	I396-P1	03-09-1032	I396-R1
03-09-7032	I396-P1BK	03-09-1033	I396-R2
03-09-7031	I396-PBK	03-09-6033	I396-R2BK
PRELIMINARY	I396-P-B	03-09-6032	I396-R1BK
		03-09-6031	I396-RBK
		PRELIMINARY	I396-R-B
		PRELIMINARY	I396-R1-B
		03-09-1081	I396-R4

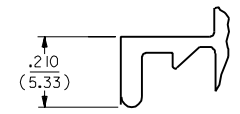
**LEGEND:**



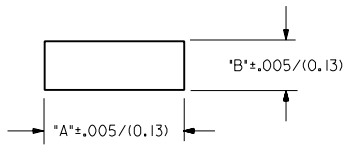
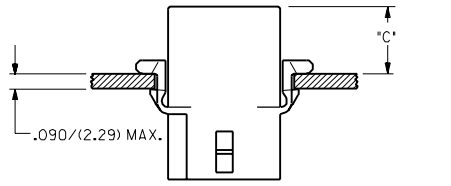
- BLANK = WITH STANDARD EARS  
 1 = WITHOUT EARS  
 2 = RECEPTACLE WITHOUT EARS, WITHOUT LOCK RAMP  
 3 = PLUG ONLY, W/ SIDE MOUNT (SEE SD-I396-P3)  
 4 = WITH PREBENT EARS

COLOR: BLANK=NATURAL COLOR  
 AM=AMBER BK=BLACK BU=BLUE  
 BN=BROWN GY=GRAY GN=GREEN  
 OR=ORANGE RD=RED YW=YELLOW

BLANK = NYLON 6/6, 94V-2  
 B = NYLON TYPE 6/6, 94V-2, UV STABILIZED



**DETAIL A**  
STANDARD MOUNTING EAR  
(SCALE 4:1)

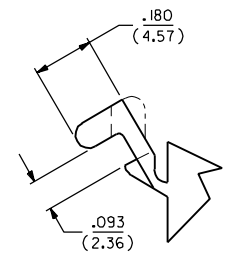


RECOMMENDED PANEL MOUNTING HOLE

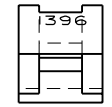
HOUSING	DIM. *A*	DIM. *B*	*C* PREBENT EAR	*C* STANDARD EAR
PLUG	.933/(23.70)	.375/(9.53)	.40/(10.2)	.38/(9.7)
RECEPT.	.830/(21.08)	.312/(7.92)	.41/(10.4)	.39/(9.9)

**NOTES:**

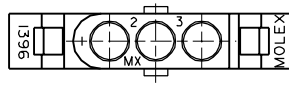
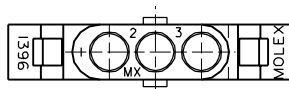
- 1. MOLEX PRODUCT SPEC Q2-09 APPLIES.
- 2. CIRCUIT I.D. NUMBERS ON SIDE OF HOUSING APPEAR ON PARTS FROM TOOLS BUILT AFTER 5/4/93.



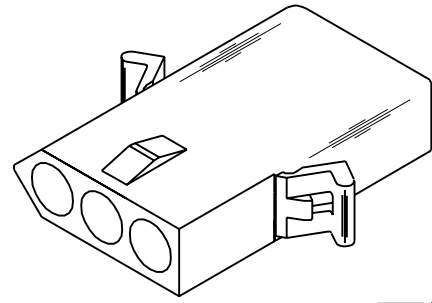
**DETAIL B**  
PREBENT MOUNTING EAR  
(SCALE 4:1)



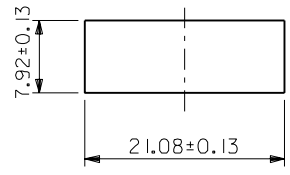
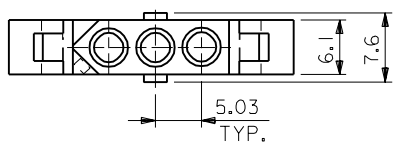
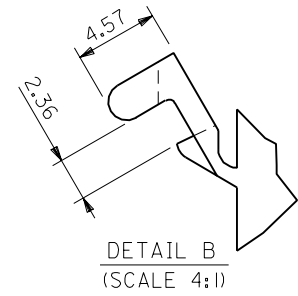
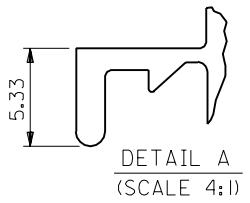
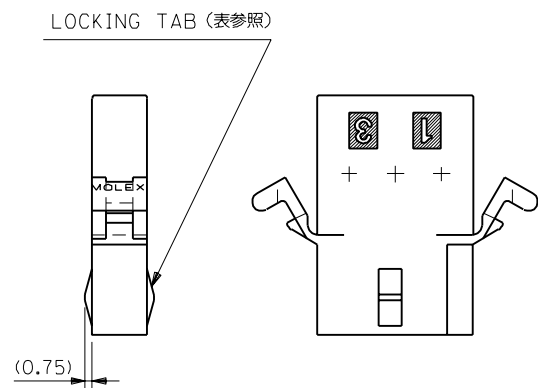
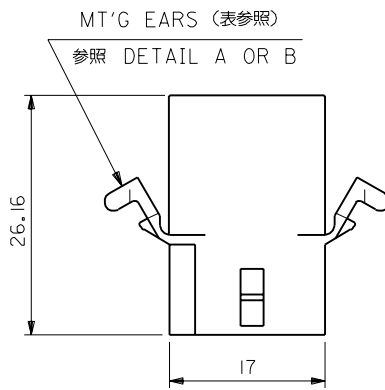
DIMENSIONS SHOWN METRIC (INCH)		UNLESS OTHERWISE SPECIFIED TOLERANCES: ANGULAR ± 1/2°		REVISIONS		REVISE ONLY ON CAD SYSTEM	
				Y2	SEE SHEET I		
				Y1	SEE SHEET I		
				Y	SEE SHEET I		
				X	SEE SHEET I		
				W1	SEE SHEET I		
				W	SEE SHEET I		
				LTR.	REVISIONS	LTR.	REVISIONS
3 PLACE ± .010		METRIC ---		DRAWING INFORMATION			
2 PLACE ± .014		± 0.25		TITLE: .093/(2.36) HOUSINGS PLUG & RECEPTACLE 3 CIRCUIT .198/(5.03)E			
1 PLACE ---		± 0.35		PART NO. MOLEX INCORPORATED SHEET NO. 2 DATE 4/8/88			
DRAFT WHERE APPLICABLE MUST REMAIN WITHIN DIMENSIONS		FILE NAME S:\396.3\2.DWG		DIV. CP			
DRAWN BY: RAS		SCALE: :		SEE CHART SD-1396-*			



OPTIONAL END CONFIGURATION



RECEPTACLE



パネル取付穴寸法  
(パネル厚 2.29最大)

I396R4	03-09-1081	有	WITH	有	WITH DETAIL B
I396R2	03-09-1033	無	WITHOUT	無	WITHOUT
I396R1	03-09-1032	有	WITH	無	WITHOUT
I396R	03-09-1031	有	WITH TABS	有	WITH DETAIL A
ENG. NO.	EDP NO.	LOCKING TABS	MT'G EARS		

DO NOT SCALE DRAWING

EC NO. DRWN: CHK: APPR:	EC NO. DRWN: CHK: APPR:	EC NO. DRWN: CHK: APPR:	EC NO. DRWN: CHK: APPR:	RELEASED EC NO. JC2001-0078 DRWN: K.KOHAMA '00/08/28 CHK: T.YAMAGUCHI APPR: M.FUKUSHIMA
----------------------------------	----------------------------------	----------------------------------	----------------------------------	---

MATERIAL 材料	NYLON66 94V-2
FINISH 仕上り	
WIRE RANGE 適用線径範囲	
INS. RANGE 被覆径	

GENERAL TOLERANCES: (UNLESS SPECIFIED) 一般公差	SCALE 2 : 1	DESIGN UNITS <input checked="" type="checkbox"/> mm <input type="checkbox"/> INCH
10 UNDER 未満	+0.25 ±0.2	DRAWN BY & DATE K.KOHAMA '00/08/28
10 OVER 以上	+0.3 ±0.25	CHECKED BY & DATE T.YAMAGUCHI '00/08/28
30 UNDER 未満	+0.35 ±0.3	APPROVED BY & DATE M.FUKUSHIMA '00/08/28
30 OVER 以上		CAD FILENAME I396001.S01
ANGLE 角度	+3°	

MODEL NO.	03-09-1***	DIMENSIONS:	SHT	REV
		<input type="checkbox"/> mm <input type="checkbox"/> INCH <input checked="" type="checkbox"/> mm ONLY		
THIRD ANGLE PROJECTION		REVISE ON CAD ONLY		
TITLE: 3 CIRCUITS RCPT HSG (0.093 DIA TERMINAL)				
MATERIAL NO. SEE NOTES		DRAWING NO. SD-1396-001		SHEET NO. 1 OF 1
MOLEX INCORPORATED				
THIS DRAWING CONTAINS INFORMATION THAT IS PROPRIETARY TO MOLEX INCORPORATED AND SHOULD NOT BE USED WITHOUT WRITTEN PERMISSION.				
				SIZE B

13 12 11 10 9 8 7 6 5 4 3 2 1

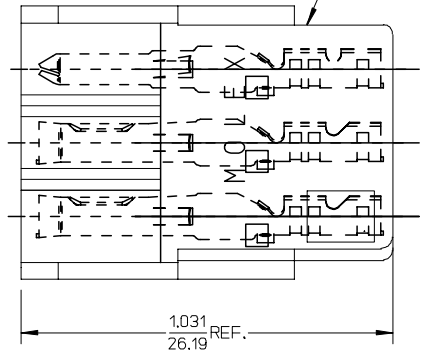
$\frac{.063}{1.59}$  REF.  
 $\frac{.060}{1.52}$  DIA. HOLE (TYP.)

$\frac{.051}{1.30}$  DIA. (TYP.)

RECEPTACLE REF.  
 03-09-1032  
 (1396-R1)

$\frac{.109}{2.78}$  REF.

TERMINAL MUST BE FULLY SEATED OR .010/0.25 MAX GAP



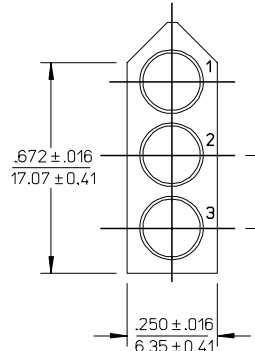
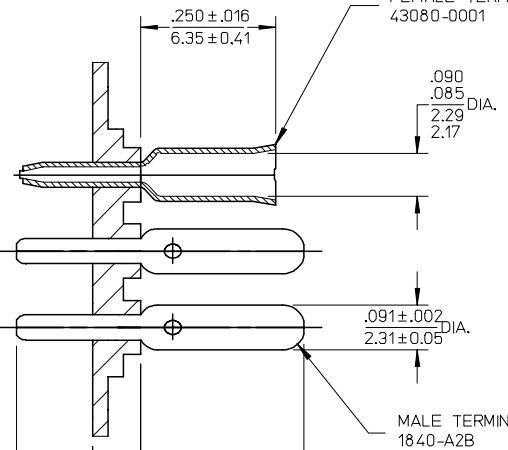
$\frac{1.031}{26.19}$  REF.

PART NO.	ENG. NO.	TERM PATTERN		
		1	2	3
09-18-5032	A-1840-3-01	M	M	M
09-18-5031	A-1840-3-02	F	M	M
09-18-5035	A-1840-3-05	M	F	F
09-18-5930	A-1840-3-09	M	B	M

J  
I  
H  
G  
F  
E  
D  
C  
B  
A

J  
I  
H  
G  
F  
E  
D  
C  
B  
A

FEMALE TERMINAL  
 43080-0001



$\frac{.198}{5.03}$  (2 PL.)  
 NON-ACCUMULATIVE

NOTES:

- MATERIAL:  
 BASE AND RECEPTACLE: NYLON  
 TERMINALS: MALE - BRASS  
 FEMALE - BRONZE
- FINISH:  
 999 - UNPLATED  
 102 - (MALE TERMINALS ONLY)  
 OVERALL TIN: .000200/0.00508 MIN.  
 OVER COPPER: .000100/0.00254 MIN.  
 126 - (FEMALE TERMINALS ONLY)  
 OVERALL TIN: .000050/0.00127 MIN.  
 OVER NICKEL: .000050/0.00127 MIN.
- PRODUCT SPECIFICATION: N/A
- PACKAGING SPECIFICATION: N/A
- POLARIZATION ACCOMPLISHED THROUGH AN INTER-MIX OF MALE AND FEMALE TERMINALS. (MOLEX .093 TERMINALS)
- TERMINAL PATTERN CODE:  
 M = MALE TERMINALS  
 F = FEMALE TERMINALS  
 B = NO TERMINALS
- PARTS TO BE MOUNTED ON SUPPORTED EDGE OF P.C. BOARD

$\frac{.172 \pm .016}{4.37 \pm 0.41}$

$\frac{.094 \pm .016}{2.38 \pm 0.41}$

A-1840-3-2 SHOWN

CONVERT TO ME10 EC NO: UCP2006-0237 DRAWN: FSI TH 2005/08/11 CHKD: ADERR 2005/08/11 APPR: FSI TH 2005/08/11 REV:	QUALITY SYMBOLS ▽=0 ▽=0	GENERAL TOLERANCES (UNLESS SPECIFIED) mm INCH 4 PLACES ± --- ± --- 3 PLACES ± --- ± .005 2 PLACES ± 0.13 ± .010 1 PLACE ± 0.25 ± --- ANGULAR ±1/2°	DIMENSION STYLE IN/MM DRAWN BY DATE EWC 1974/04/30 CHECKED BY DATE APPROVED BY DATE	SCALE 4:1 DESIGN UNITS INCH THIRD ANGLE PROJECTION	TITLE CONNECTOR-P.C. BOARD WAFERCONN 3 CIRCUIT	
	MATERIAL NO. SEE CHART SIZE C	DOCUMENT NO. SDA-1840-3-*	SHEET NO. 1 OF 1			
	DRAFT WHERE APPLICABLE MUST REMAIN WITHIN DIMENSIONS			THIS DRAWING CONTAINS INFORMATION THAT IS PROPRIETARY TO MOLEX INCORPORATED AND SHOULD NOT BE USED WITHOUT WRITTEN PERMISSION		
	MOLEX INCORPORATED					

12 11 10 9 8 7 6 5 4 3 2 1