



MC-SP192DNB Conventional type

Features

- Apply For LCD Display, Indicators, Illuminations, etc.
- Compatible With Automatic Placement Equipment
- Compatible With Reflow Solder Process

Maximum Ratings

- Operating Temperature: -30°C to +80°C
- Storage Temperature: -40°C to +85°C
- 84 mWatt DC Power Dissipation
- Reverse Voltage: 5.0V
- Forward Current: 30 mA
- Peak Forward Current: 100**mA(I_F)

** Pulse test: Pulse width ≤ 0.1msec, Duty cycle ≤ 10%

Single Color Surface Mounted Chip LED Size :0805

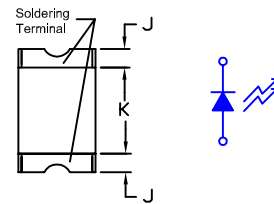
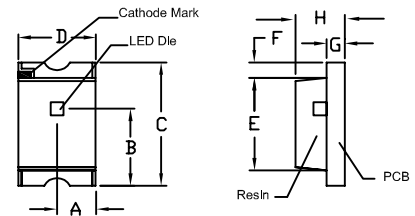
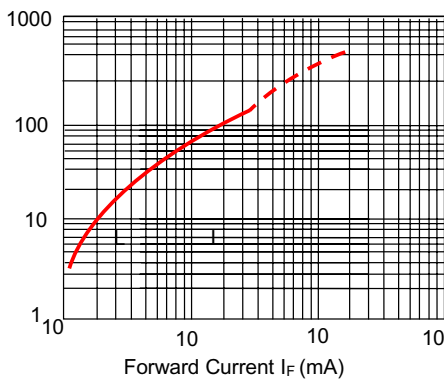
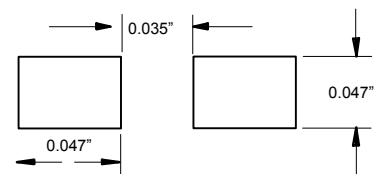


Figure 1
Luminous Intensity VS .Forward Current



| DIM | INCHES | | MM | | NOTE |
|-----|--------|-------|-------|-------|------|
| | MIN | MAX | MIN | MAX | |
| A | 0.021 | 0.029 | 0.525 | 0.725 | |
| B | 0.045 | 0.053 | 1.15 | 1.35 | |
| C | 0.075 | 0.083 | 1.9 | 2.1 | |
| D | 0.045 | 0.053 | 1.15 | 1.35 | |
| E | 0.051 | 0.059 | 1.3 | 1.5 | |
| F | 0.008 | 0.016 | 0.2 | 0.4 | |
| G | 0.016 | 0.024 | 0.4 | 0.6 | |
| H | 0.039 | 0.047 | 1.0 | 1.2 | |
| J | 0.012 | 0.020 | 0.3 | 0.5 | |
| K | 0.043 | 0.051 | 1.1 | 1.3 | |

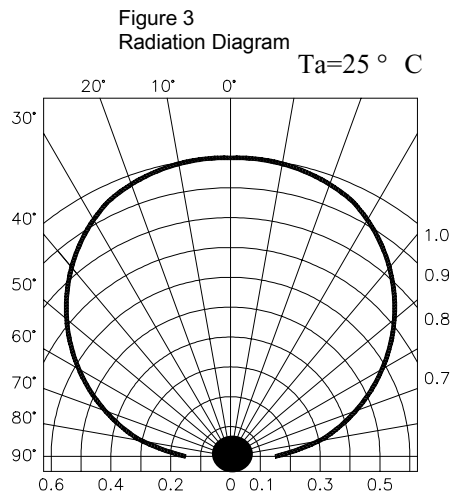
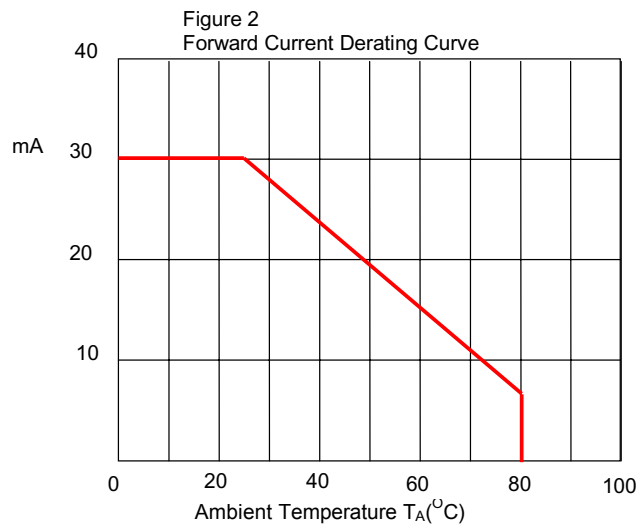
SUGGESTED SOLDER PAD LAYOUT



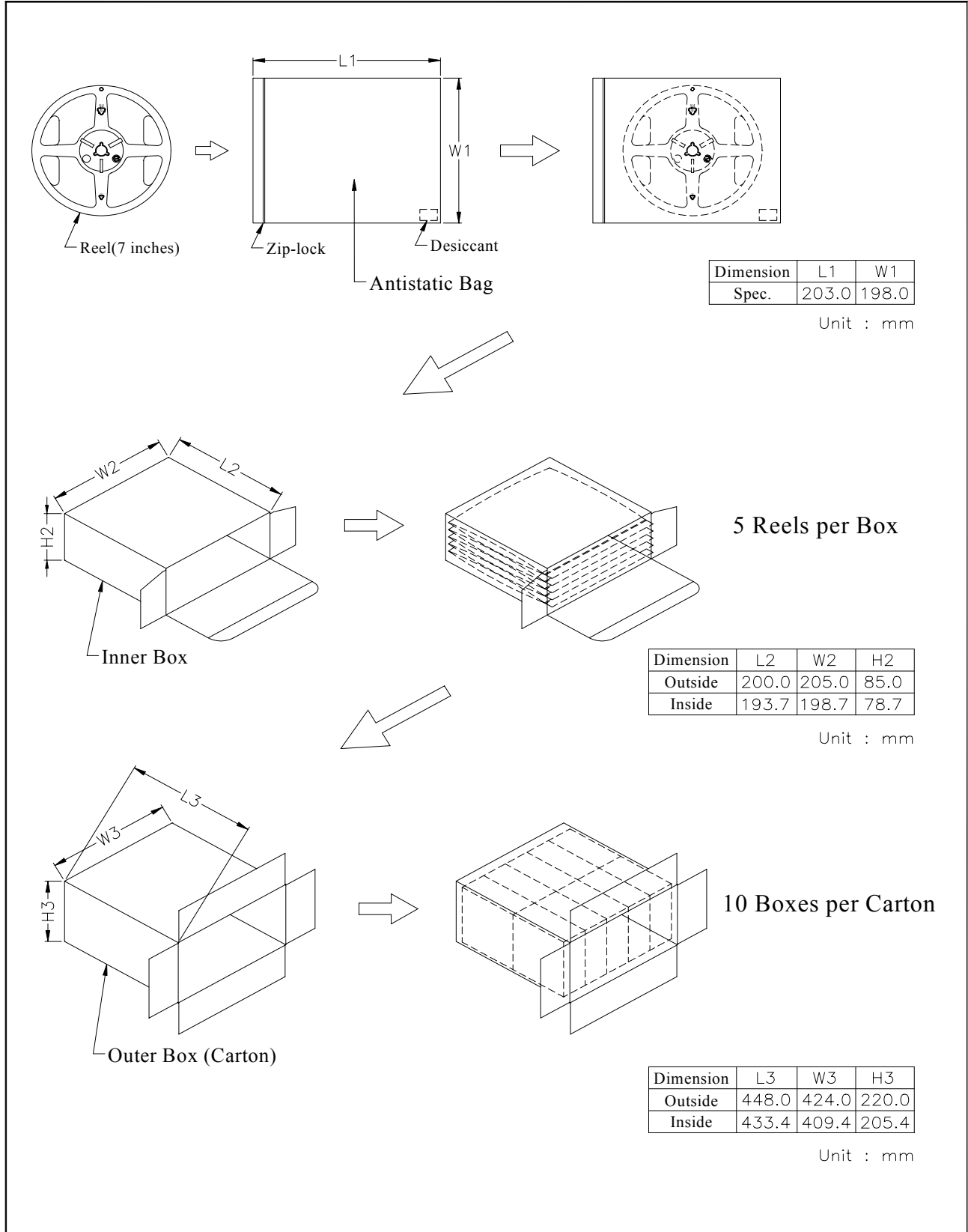
MC-SP192DNB

ELECTRICAL CHARACTERISTICS @25°C

| MCC PART NUMBER | LIGHTING COLOR | MATERIAL | VF(V) | | λ(nm) | | VIEW ANGLE | Iv*(mcd) TYP |
|-----------------|----------------|----------|-------|-----|-------|-----|------------|--------------|
| | | | TYPE | MAX | λ p | λ D | | |
| MC-SP192DNB | Blue | GaN | 3.5 | 4.2 | 468 | 470 | 130° | 30 |



◆ Packing and Shipping Spec.



Tape Specification: 3000pcs Per Reel

| Packing Size | | | | | | | | | | | | |
|--------------|-------|-------|-------|-------|------------------|-------|-------|-------|-------|-------|-------|-------|
| Item | M | G | L | N | H | R | J | K | P | F | A | B |
| Spec. | 8.00 | 4.00 | 1.75 | 3.50 | 1.50 | 1.00 | 4.00 | 2.00 | 1.40 | 2.30 | 1.10 | 0.23 |
| Tolerance | ±0.20 | ±0.10 | ±0.10 | ±0.05 | + 0.10 - 0.00 | ±0.10 | ±0.05 | ±0.05 | ±0.10 | ±0.10 | ±0.10 | ±0.05 |

