

FEATURES

PETERMANN

TECHNIK

Time & Frequency Components

- HIGH RELIABILITY FOR LOW COST
- FREQUENCY STABILITY TO +/-15 PPM
- JITTER OPTIMIZED DIP 8 CLOCK OSCILLATOR
- EXCELLENT CLOCK SIGNAL GENERATOR FOR DSP'S AND CPU'S
- EXTENDED TEMPERATURE RANGE TO -40/+85°C

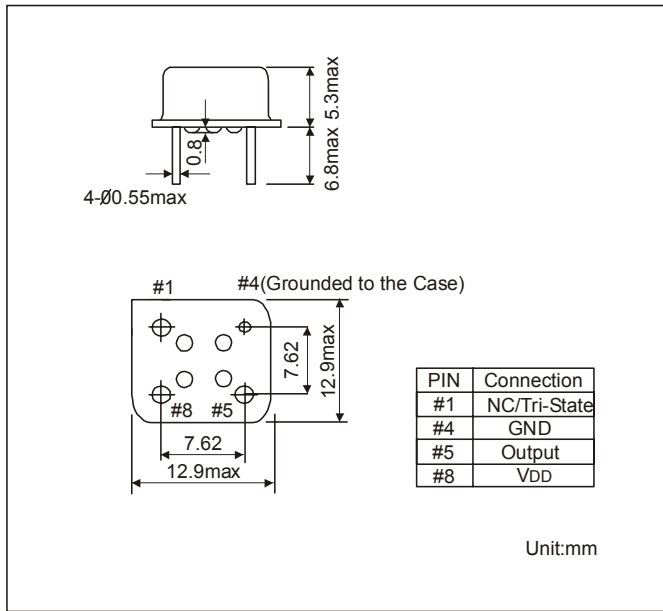
SERIES		M2350	
PACKAGE		8 PIN DIP	
FREQUENCY RANGE		500.0 kHz ~ 125.0 MHz	
FREQUENCY STABILITY		+15 ~ +/-100 ppm	
AGING		+5 ppm after first year	
OPERATING TEMPERATURE RANGE		0/+70°C ~ -40/+85°C	
STORAGE TEMPERATURE RANGE		-55/+125°C	
INPUT	VOLTAGE	+3.3 VDC +/-10%	
		CURRENT	15 mA max. < 24.0 MHz
	20 mA max. < 50.0 MHz		
	30 mA max. < 80.0 MHz		
OUTPUT	SYMMETRY	STANDARD	40/60%
		OPTION	45/55%
	RISE AND FALL TIME HCMOS	10 ns max. (10% VDD ~ 90% VDD)	
	"0" LEVEL	10% VDD max.	
	"1" LEVEL	90% VDD min.	
LOAD	HCMOS	15 pF	
PIN 1	STANDARD	WITHOUT ENABLE/DISABLE FUNCTION	
	OPTION	WITH ENABLE/DISABLE FUNCTION	
TRISTATE LOGIC TABLE		PIN 1 INPUT	PIN 8 OUTPUT
		2.0V MIN. OR NOT CONNECTED	OSCILLATION
		0.8V MAX. OR GND	HIGH IMPEDANCE
PIN CONNECTION		SEE OUTLINE DRAWINGS	
START-UP TIME		10 ms max.	
PERIOD JITTER RMS		8 ps max.	
OTHER PARAMETERS ARE AVAILABLE ON REQUEST / CREATE HERE YOUR SPECIFICATION			

PART NUMBERING SYSTEM

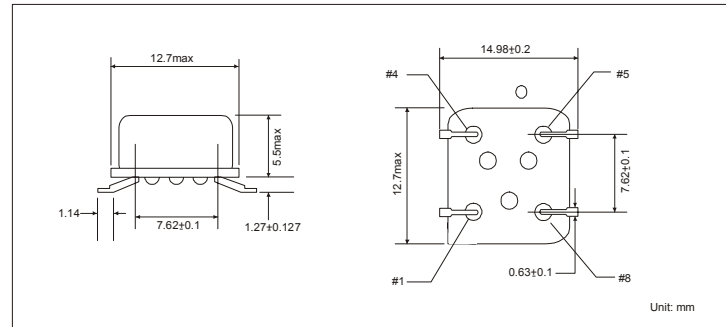
EXAMPLE	M2350-25-W-S-E-G-125.0MHz
----------------	---------------------------

SERIES	M2350
FREQUENCY STABILITY	BLANK FOR 100 PPM ANY 50 ~ 15 PPM
TEMPERATURE RANGE	BLANK FOR 0/+70°C N = -10/+60°C M = -20/+70°C W = -40/+85°C
SYMMETRY	BLANK FOR 40/60% S FOR 45/55%
PIN 1 ENABLE/DISABLE	BLANK FOR NO E/D E FOR E/D
PIN CONFIGURATION	BLANK FOR DIP G FOR GULL WING
FREQUENCY	REQUIRED FREQUENCY

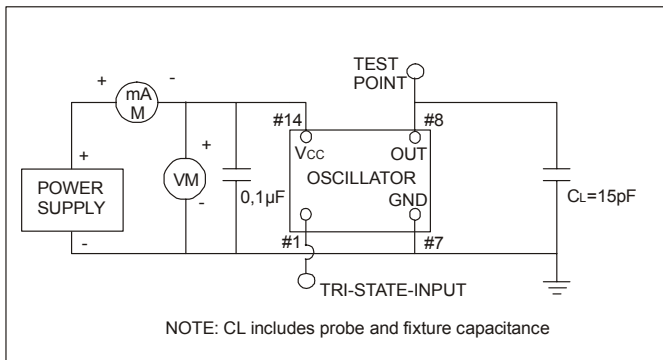
OUTLINE DRAWING OF M2350



OUTLINE DRAWING OF M2350 GULL WING



TEST CIRCUIT FOR HCMOS



HCMOS OUTPUT WAVE FORM

