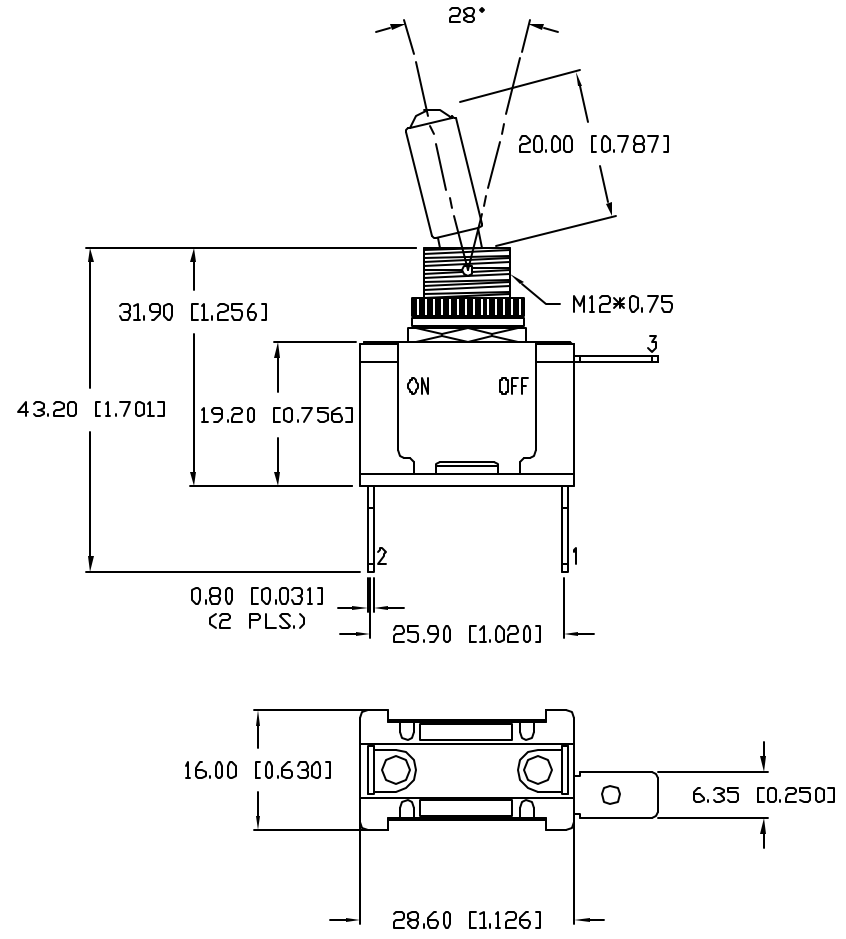
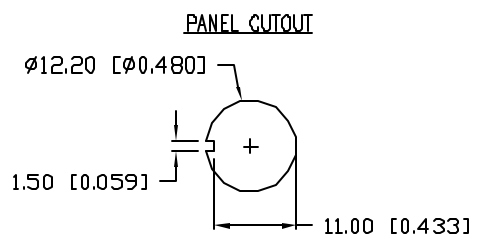


UNCONTROLLED DOCUMENT

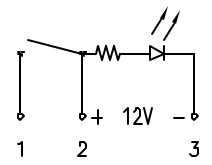
|                 |                                     |          |
|-----------------|-------------------------------------|----------|
| PART NUMBER     |                                     | REV.     |
| CLS-TC11A12250Y |                                     | A        |
| REV.            | E.C.N. NUMBER AND REVISION COMMENTS | DATE     |
| A               | E.C.N. #11148.                      | 12.10.06 |



| CHARACTERISTICS   |              |
|-------------------|--------------|
| RATING            | 20A AT 12VDC |
| LED COLOR         | YELLOW       |
| CIRCUIT OPERATION | SPST         |
| NO. OF PINS       | 3            |
| SWITCH OPERATION  | ON-OFF       |



INTERNAL CIRCUIT



UNCONTROLLED DOCUMENT

\*UNLESS OTHERWISE SPECIFIED TOLERANCES PER DECIMAL PRECISION ARE: X=±1 (±0.039), XX=±0.5 (±0.020), XXX=±0.25 (±0.010), XXXX=±0.127 (±0.005). LEAD SIZE=±0.05 (±0.002), LEAD LENGTH=±0.75 (±0.030). MIN.= +DECIMAL PRECISION -0.00 MAX.= +0.00 -DECIMAL PRECISION

|  |                 |
|--|-----------------|
| REV.   | PART NUMBER     |
| A  | CLS-TC11A12250Y |
| YELLOW LED ILLUMINATED TOGGLE SWITCH,<br>RATED FOR 20A AT 12VDC. |                 |

**CONFIDENTIAL INFORMATION**  
 THE INFORMATION CONTAINED IN THIS DOCUMENT IS THE PROPERTY OF LUMEX INC. EXCEPT AS SPECIFICALLY AUTHORIZED IN WRITING BY LUMEX INC., THE HOLDER OF THIS DOCUMENT SHALL KEEP ALL INFORMATION CONTAINED HEREIN CONFIDENTIAL AND SHALL PROTECT SAME IN WHOLE OR IN PART FROM DISCLOSURE AND DISSEMINATION TO ALL THIRD PARTIES.

**RELIABILITY NOTE**  
 OUR MANY YEARS OF EXPERIENCE DATA ACCUMULATION INDICATE THAT SOLDER HEAT IS A MAJOR CAUSE OF EARLY AND FUTURE FAILURE. PLEASE PAY ATTENTION TO YOUR SOLDERING PROCESS.

|   |                            |
|---|----------------------------|
| <b>LUMEX</b><br>290 E. HELEN ROAD<br>PALATINE, IL 60067-6976<br>PHONE: +1.847.359.2790<br>US WEB: www.lumex.com<br>TW WEB: www.lumex.com.tw |                            |
| DRAWN BY:   | CHECKED BY:                |
| APPROVED BY:  | DATE: 12.10.06             |
| jc  | PAGE: 1 OF 1<br>SCALE: N/A |