

**PLEASE CHECK WWW.MOLEX.COM FOR LATEST PART INFORMATION**

**Part Number:** **0196060004**  
**Status:** **Active**  
**Description:** Avikrimp™ Quick Disconnect, Female, for 10-12 (5.00-3.30) Wire, Metal Strip, Tab 6.35mm (.250") x 0.81mm (.032")

**Documents:**

[Drawing \(PDF\)](#) [RoHS Certificate of Compliance \(PDF\)](#)

**Agency Certification**

CSA LR18689  
 UL E79133

**General**

Product Family Quick Disconnects  
 Series 19606  
 Crimp Quality Equipment Yes  
 Product Name Avikrimp™  
 Type Quick Disconnect

**Physical**

Barrel Type Closed  
 Flammability 94V-2  
 Gender Female  
 Glow-Wire Compliant No  
 Insulation Nylon (PA)  
 Lock to Mating Part None  
 Material - Metal Brass  
 Material - Plating Mating Tin  
 Material - Plating Termination Tin  
 Orientation Straight  
 Packaging Type Reel  
 Plating min: Mating (µin) 100  
 Plating min: Mating (µm) 2.5  
 Plating min: Termination (µin) 100  
 Plating min: Termination (µm) 2.5  
 Polarized to Mating Part No  
 Tab Thickness 0.81mm (.032")  
 Tab Width 6.35mm (.250")  
 Temperature Range - Operating -65°C to +105°C  
 Termination Interface: Style Crimp or Compression  
 Wire Insulation Diameter 5.84mm (.230") max.  
 Wire Size AWG 10, 12  
 Wire Size mm² 3.30 - 5.00

**Electrical**

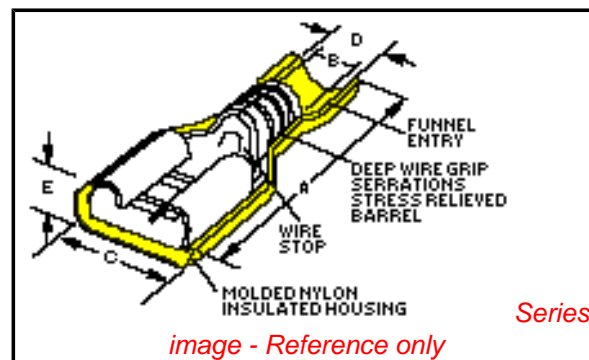
Voltage - Maximum 300V

**Material Info**

Old Part Number C-5293Z

**Reference - Drawing Numbers**

Sales Drawing SD-19606-401



*image - Reference only*

**EU RoHS**

**ELV and RoHS Compliant**

**REACH SVHC**

Not Reviewed

**Halogen-Free**

Status

Not Reviewed

**Need more information on product environmental compliance?**

Email [productcompliance@molex.com](mailto:productcompliance@molex.com)  
 For a multiple part number RoHS Certificate of Compliance, [click here](#)

Please visit the [Contact Us](#) section for any non-product compliance questions.

**China RoHS**



**Search Parts in this Series**

[19606Series](#)

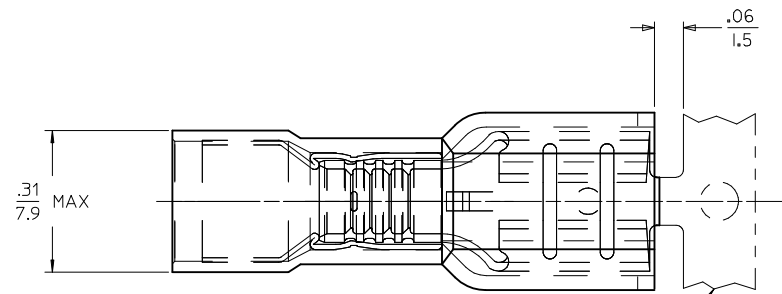
**Application Tooling | FAQ**

*Tooling specifications and manuals are found by selecting the products below. Crimp Height Specifications are then contained in the Application Tooling Specification document.*

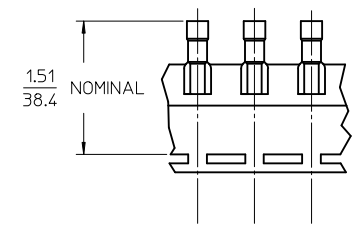
**Global**

Description	Product #
Mini-Mac™ Applicator	<a href="#">0638812100</a>

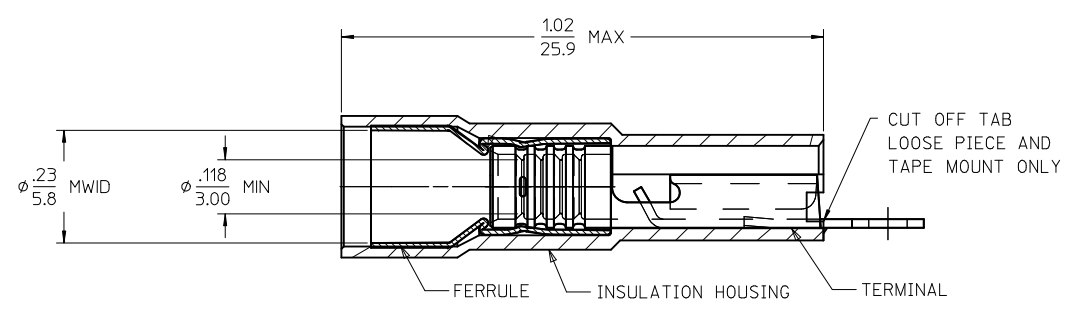
MATERIAL NO.	ENGINEERING P/N	CARRIER STYLE
196060004	C-5293Z	METAL STRIP
196060005	C-5293	LOOSE PIECE
196060006	C-5293T	TAPE MOUNT



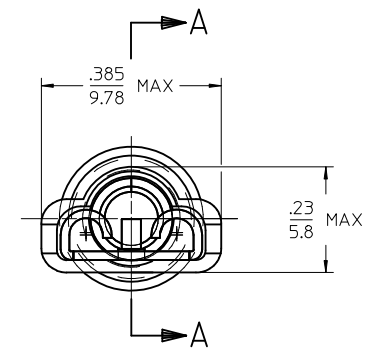
METAL CARRIER STRIP,  
METAL STRIP PARTS ONLY



PARTS ON TAPE  
SCALE: NONE



SECTION A-A



NOTES:

- MATERIALS:  
HOUSING: 94V-2 NYLON, YELLOW  
TERMINAL: BRASS, .018/0.46 THICK REF., MATTE TIN PLATED  
FERRULE: COPPER ALLOY, MATTE TIN PLATED
- ACCEPTS TAB SIZE .250 x .032 (6.35 x 0.81).
- MWID = MAXIMUM WIRE INSULATION DIAMETER.
- PARTS ARE ROHS COMPLIANT.

REV	DESCRIPTION	QUALITY SYMBOLS
A	RLS: FERRULE MATL EC NO: MNA2010-0610 DRWN:ETHRODAHL 2010/03/31 CHKD:JMACNEIL 2010/03/31 APPR:JMACNEIL 2010/04/12	▽=0 ▽=0

GENERAL TOLERANCES (UNLESS SPECIFIED)	
mm	INCH
4 PLACES ± .005	± .0004
3 PLACES ± .003	± .0001
2 PLACES ± .002	± .0001
1 PLACE ± .001	± .0001
ANGULAR ± 1/2°	
DRAFT WHERE APPLICABLE MUST REMAIN WITHIN DIMENSIONS	

DIMENSION STYLE	
IN/MM	
DRAWN BY	DATE
ETHRODAHL	2010/03/31
CHECKED BY	DATE
JMACNEIL	2010/03/31
APPROVED BY	DATE
JMACNEIL	2010/04/09
MATERIAL NO.	
SEE CHART	
SIZE	
THIS DRAWING CONTAINS INFORMATION THAT IS PROPRIETARY TO MOLEX INCORPORATED AND SHOULD NOT BE USED WITHOUT WRITTEN PERMISSION	

SCALE	DESIGN UNITS	THIRD ANGLE PROJECTION
5:1	INCH	☉
TITLE		
FIQD FEMALE AVIKRIMP LOW PROFILE .250X.032 TAB, 12-10 AWG		
MOLEX MOLEX INCORPORATED		
DOCUMENT NO.		SHEET NO.
SD-19606-003		1 OF 1