

**PLEASE CHECK WWW.MOLEX.COM FOR LATEST PART INFORMATION**

**Part Number:** [0196020005](#)  
**Status:** **Active**  
**Description:** Avikrimp™ Fully Insulated Piggyback Quick Disconnect, Tab 6.35mm (.250") by 0.81mm (.032"), 14-16 AWG, Blue Insulator, Loose

**Documents:**

[Drawing \(PDF\)](#)

[RoHS Certificate of Compliance \(PDF\)](#)

**General**

Product Family	Quick Disconnects
Series	<a href="#">19602</a>
Crimp Quality Equipment	Yes
Product Name	Avikrimp™
Type	Quick Disconnect

**Physical**

Barrel Type	Closed
Gender	Female
Glow-Wire Compliant	No
Insulation	Nylon (PA)
Lock to Mating Part	No
Orientation	Straight
Packaging Type	Bag
Polarized to Mating Part	No
Tab Thickness	0.81mm (.032")
Tab Width	6.35mm (.250")
Wire Insulation Diameter	2.95mm (.116") max.
Wire Size AWG	14, 16
Wire Size mm²	0.35 - 0.80

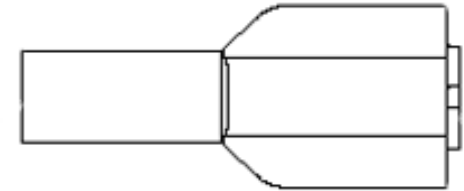
**Electrical**

Voltage - Maximum	600V
-------------------	------

**Material Info**

**Reference - Drawing Numbers**

Sales Drawing	SD-19602-001
---------------	--------------



*image - Reference only*

*Series*

**EU RoHS**

**ELV and RoHS Compliant**

**REACH SVHC**

Not Reviewed

**Halogen-Free**

**Status**

**Not Reviewed**

**China RoHS**



**Need more information on product environmental compliance?**

Email [productcompliance@molex.com](mailto:productcompliance@molex.com)  
 For a multiple part number RoHS Certificate of Compliance, [click here](#)

Please visit the [Contact Us](#) section for any non-product compliance questions.

**Search Parts in this Series**

[19602Series](#)

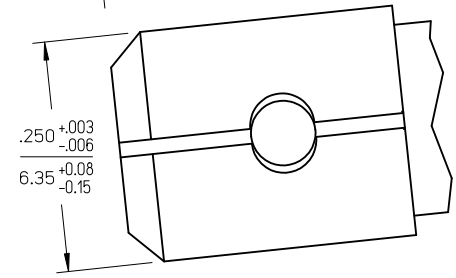
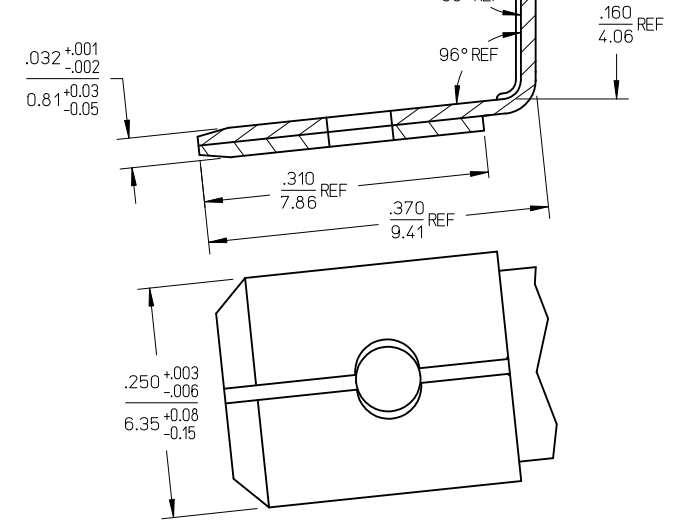
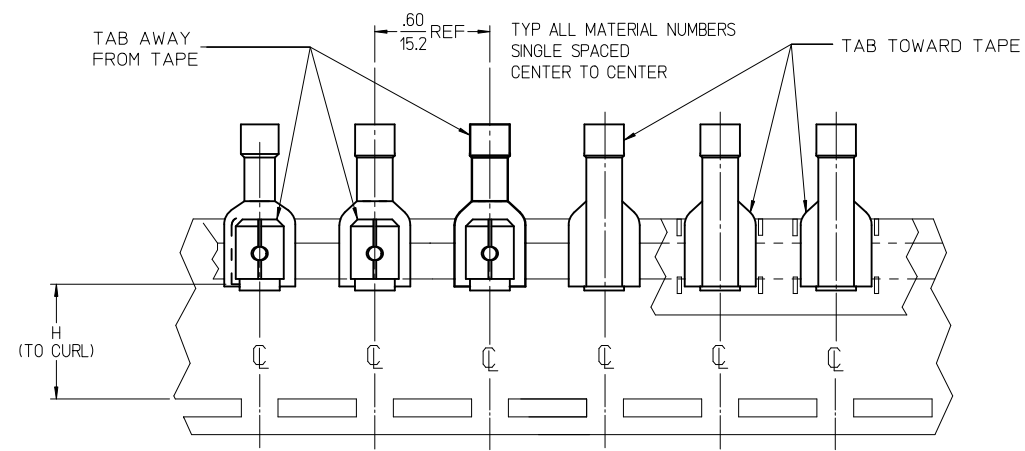
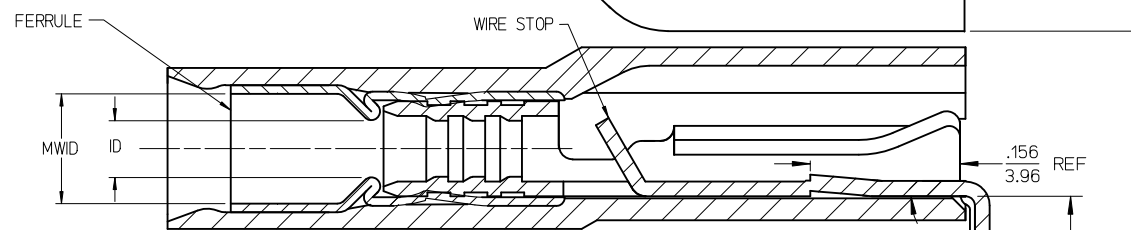
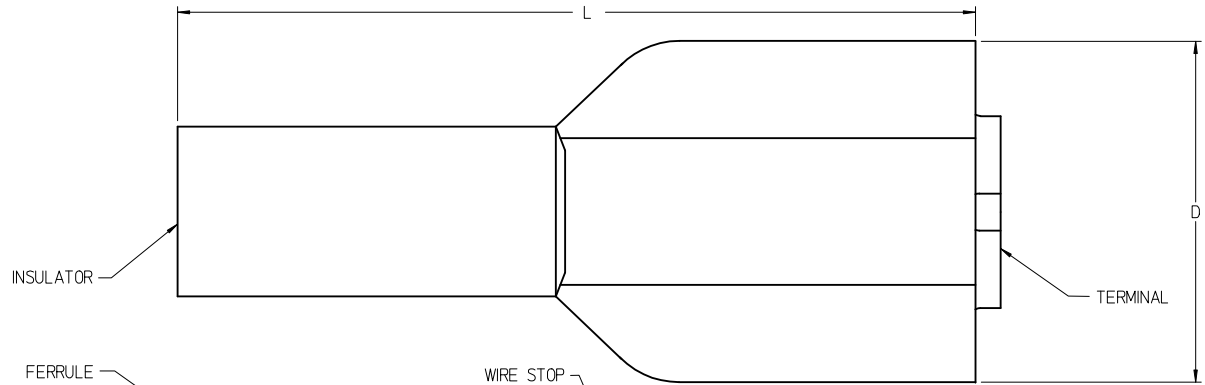
**Application Tooling | [FAQ](#)**

*Tooling specifications and manuals are found by selecting the products below. Crimp Height Specifications are then contained in the Application Tooling Specification document.*

**Global**

Description	Product #
Hand Crimp Tool	<a href="#">0640016400</a>
Crimp Head for the AT-200™ Pneumatic Hand Tool	<a href="#">0640056400</a>

13	12	11	10	9	8	7	6	5	4	3	2	1
MATERIAL NO. LOOSE PC	ENGINEERING NO. LOOSE PC	MATERIAL NO. ON TAPE	ENGINEERING NO. ON TAPE	WIRE SIZE	INSULATOR COLOR	ID MIN REF	MWID	D MAX	L MAX	H NOMINAL	BARE TAB POSITION	
196020004	19602-0004	196020010	19602-0010	22-18 AWG	RED	.058/1.47	.116/2.95	.380/9.65	.880/22.35	.54/13.7	AWAY FROM TAPE	
196020005	19602-0005	196020011	19602-0011	16-14 AWG	BLUE	.079/2.00	.139/3.53	.380/9.65	.880/22.35	.54/13.7	AWAY FROM TAPE	
196020006	19602-0006	196020012	19602-0012	12-10 AWG	YELLOW	.144/3.66	.231/5.87	.380/9.65	1.020/25.91	.57/14.4	TOWARD TAPE	



PARTS ON TAPE  
(SCALE 2:1)

- NOTES:
1. TERMINAL MATERIAL: BRASS
  2. TERMINAL FINISH: TIN PLATED
  3. INSULATOR MATERIAL: NYLON
  4. FERRULE MATERIAL: COPPER ALLOY Ⓢ
  5. FERRULE FINISH: TIN PLATED
  6. MWID = MAXIMUM WIRE INSULATION DIAMETER.
  7. ASSEMBLY IS ROHS COMPLIANT.

<b>FERRULE MATERIAL DESCR</b> EC NO: MNA2009-0510 DRW:ETHRODAHL 2010/01/04 CHKD:JMACNEIL 2010/01/05 APPR:JMACNEIL 2010/01/05	<b>QUALITY SYMBOLS</b> ▽=0 ▽=0	<b>GENERAL TOLERANCES (UNLESS SPECIFIED)</b>		<b>DIMENSION STYLE</b> IN/MM	<b>SCALE</b> ---	<b>DESIGN UNITS</b> INCH	THIRD ANGLE PROJECTION
		4 PLACES ± --- ± --- 3 PLACES ± --- ± --- 2 PLACES ± --- ± --- 1 PLACE ± --- ± ---	mm    INCH	DRAWN BY    DATE DAY    1997/08/21	CHECKED BY    DATE RWD    1997/08/21	APPROVED BY    DATE RWD    1997/08/21	<b>TITLE</b> PIGGYBACK FIQD, .250 X .032 TAB, AVIKRIMP
<b>REV</b> D	<b>DESCRIPTION</b> FERRULE MATERIAL DESCR	DRAFT WHERE APPLICABLE MUST REMAIN WITHIN DIMENSIONS		MATERIAL NO. <b>SEE CHART</b>	DOCUMENT NO. SD-19602-001	SHEET NO. 1 OF 1	<b>MOLEX INCORPORATED</b>

THIS DRAWING CONTAINS INFORMATION THAT IS PROPRIETARY TO MOLEX INCORPORATED AND SHOULD NOT BE USED WITHOUT WRITTEN PERMISSION