

PLEASE CHECK WWW.MOLEX.COM FOR LATEST PART INFORMATION

Part Number: [0191600071](#)
Status: **Active**
Description: CLOSED END CONNECTOR TAPED (NC-2212T)

Agency Certification

CSA LR18689
 UL E32244

General

Product Family Splices
 Series [19160](#)
 Crimp Quality Equipment Yes
 Mil-Spec N/A
 Product Name Closed-End Insulated

Physical

Barrel Type Closed
 Flammability 94V-2
 Insulation Nylon (PA)
 Packaging Type Adhesive Tape on Reel
 Temperature Range - Operating 105°C
 Wire Insulation Diameter 6.9mm (.27") max
 Wire Size AWG 12, 14, 16, 18, 20, 22
 Wire Size mm² 0.25 - 4.00

Electrical

Voltage - Maximum 600V

Material Info

Old Part Number NC-2212T

Reference - Drawing Numbers

Product Specification PS-19160-006
 Sales Drawing SD-19160-001

EU RoHS
ELV and RoHS
Compliant
REACH SVHC
 Not Reviewed
Halogen-Free
Status
Not Reviewed

China RoHS



Need more information on product environmental compliance?

Email productcompliance@molex.com
 For a multiple part number RoHS Certificate of Compliance, [click here](#)

Please visit the [Contact Us](#) section for any non-product compliance questions.

Search Parts in this Series
[19160Series](#)

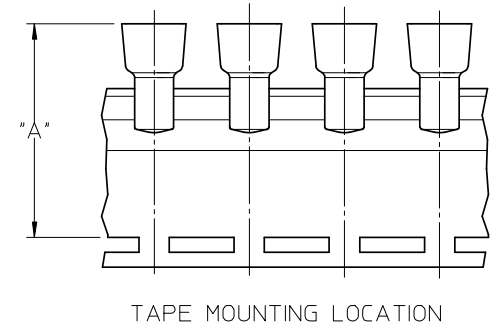
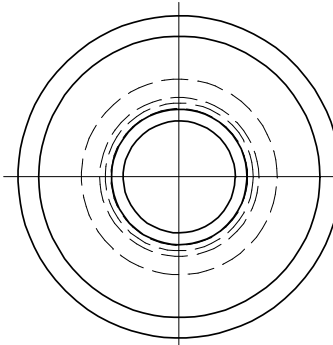
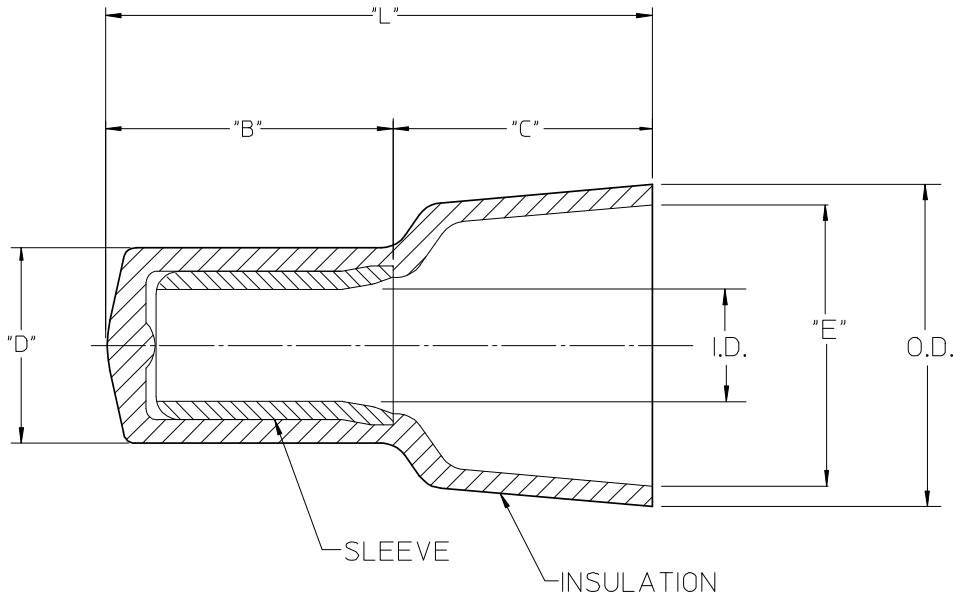
Application Tooling | FAQ

Tooling specifications and manuals are found by selecting the products below. Crimp Height Specifications are then contained in the Application Tooling Specification document.

Global

Description	Product #
Crimp Dies for MTA-100 Tape Applicator used in 3BF Press, MTA-105 Tape Applicator used in TM-2000™ Press, and ATP-301 Air Crimping Press for Mylar Tape Mounted Terminals	0192880239
Mini-Mac™ Applicator	0638853500

LOOSE PIECE		TAPE MOUNTED		"L" MAX.	"B" ±.010/0.25	"D" MAX.	"E" MIN.	I.D. MIN.	O.D. MAX.	"A" DIM ±.015/0.38	"C" REF
MATERIAL NO.	ENG. NO.	MATERIAL NO.	ENG. NO.								
191600012	NC-2214	191600070	NC-2214T	.62/15.7 [Ⓞ]	.33/8.4 [Ⓞ]	.19/4.8	.24/6.1	.09/2.3	.32/8.1	1.543/39.19	.28/7.1 [Ⓞ]
191600009	NC-2212	191600071	NC-2212T	.76/19.3 [Ⓞ]	.35/8.9 [Ⓞ]	.23/5.8	.27/6.9	.10/2.5	.36/9.1	1.631/41.43	.39/9.9 [Ⓞ]
191600002	NC-1610	191600083	NC-1610T	.90/22.8	.39/9.9	.28/7.1	.38/9.6	.15/3.8	.45/11.4	1.750/44.45	.51/13.0
191600024	NC-8	191600028	NC-8T	1.10/27.9 [Ⓞ]	.50/12.7 [Ⓞ]	.36/9.1	.48/12.2	.21/5.3	.57/14.5	1.864/47.35	.60/15.2 [Ⓞ]



NOTES:

- MATERIAL: SLEEVE: TIN-PLATED COPPER
INSULATION: 6/6 NYLON,
NATURAL TRANSLUCENT
- Ⓞ PARTS ARE ROHS COMPLIANT.

SALES DRAWING

CORRECT DIM ERRORS EC NO: WNA2008-0280 DRAWN BY: H.BEITZE CHKD: JMACNEIL APPR: JMACNEIL	QUALITY SYMBOLS	GENERAL TOLERANCES (UNLESS SPECIFIED)	DIMENSION STYLE	SCALE	DESIGN UNITS	THIRD ANGLE PROJECTION
	▽=0	mm INCH	IN/MM	5:1	INCH	
	▽=0	4 PLACES ± --- ± ---	DRAWN BY DATE			
		3 PLACES ± --- ± ---	H.BEITZE 04/02/23	TITLE		
	2 PLACES ± --- ± ---	CHECKED BY DATE				CLOSED END CONNECTORS NYLON INSULATED
	1 PLACE ± --- ± ---	R.DERROSS 04/02/23				
	ANGULAR ± ---°	APPROVED BY DATE				MOLEX INCORPORATED
		R.DERROSS 04/02/23				
		MATERIAL NO.	SEE CHART	DOCUMENT NO.		SHEET NO.
				SD-19160-001		1 OF 1
		THIS DRAWING CONTAINS INFORMATION THAT IS PROPRIETARY TO MOLEX INCORPORATED AND SHOULD NOT BE USED WITHOUT WRITTEN PERMISSION				