

**PLEASE CHECK WWW.MOLEX.COM FOR LATEST PART INFORMATION**

**Part Number:** [0191600070](#)  
**Status:** **Active**  
**Description:** CLOSED END CONNECTOR TAPED (NC-2214T)

**Agency Certification**

CSA LR18689  
 UL E32244

**General**

Product Family Splices  
 Series [19160](#)  
 Crimp Quality Equipment Yes  
 Mil-Spec N/A  
 Product Name Closed-End Insulated

**Physical**

Barrel Type Closed  
 Flammability 94V-2  
 Insulation Nylon (PA)  
 Packaging Type Adhesive Tape on Reel  
 Temperature Range - Operating 105°C  
 Wire Insulation Diameter 6.1mm (.24") max  
 Wire Size AWG 14, 16, 18, 20, 22  
 Wire Size mm<sup>2</sup> 0.25 - 2.60

**Electrical**

Voltage - Maximum 300V

**Material Info**

Old Part Number NC-2214T

**Reference - Drawing Numbers**

Product Specification PS-19160-007  
 Sales Drawing SD-19160-001

**EU RoHS**

**ELV and RoHS  
Compliant**

**REACH SVHC**

Not Reviewed

**Halogen-Free**

**Status**

**Not Reviewed**

**China RoHS**



**Need more information on product  
environmental compliance?**

Email [productcompliance@molex.com](mailto:productcompliance@molex.com)  
 For a multiple part number RoHS Certificate of  
 Compliance, [click here](#)

Please visit the [Contact Us](#) section for any  
 non-product compliance questions.

**Search Parts in this Series**

[19160Series](#)

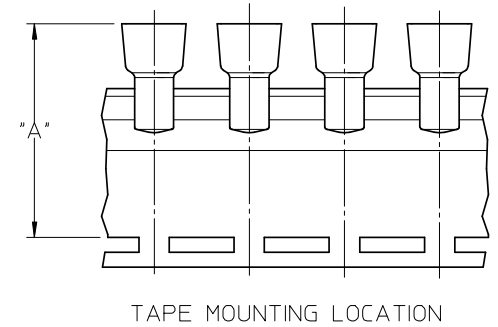
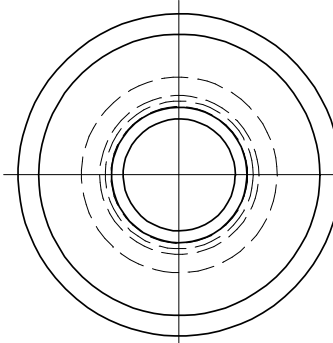
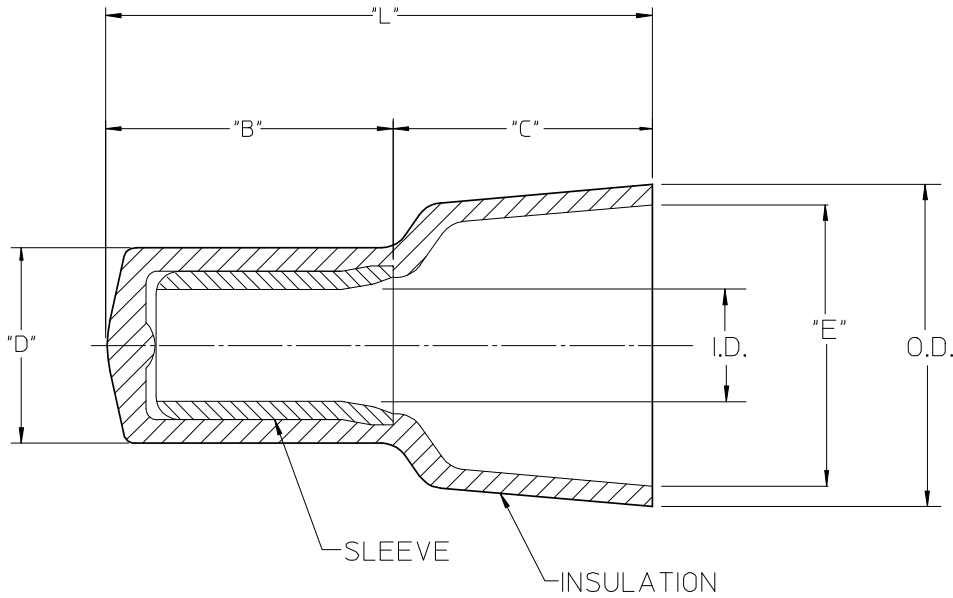
**Application Tooling | FAQ**

*Tooling specifications and manuals are  
found by selecting the products below.  
Crimp Height Specifications are then  
contained in the Application Tooling  
Specification document.*

**Global**

Description	Product #
Crimp Dies for MTA-100 Tape Applicator used in 3BF Press, MTA-105 Tape Applicator used in TM-2000™ Press, and ATP-301 Air Crimping Press for Mylar Tape Mounted Terminals	<a href="#">0192880242</a>

LOOSE PIECE		TAPE MOUNTED		"L" MAX.	"B" ±.010/0.25	"D" MAX.	"E" MIN.	I.D. MIN.	O.D. MAX.	"A" DIM ±.015/0.38	"C" REF
MATERIAL NO.	ENG. NO.	MATERIAL NO.	ENG. NO.								
191600012	NC-2214	191600070	NC-2214T	.62/15.7 <sup>Ⓞ</sup>	.33/8.4 <sup>Ⓞ</sup>	.19/4.8	.24/6.1	.09/2.3	.32/8.1	1.543/39.19	.28/7.1 <sup>Ⓞ</sup>
191600009	NC-2212	191600071	NC-2212T	.76/19.3 <sup>Ⓞ</sup>	.35/8.9 <sup>Ⓞ</sup>	.23/5.8	.27/6.9	.10/2.5	.36/9.1	1.631/41.43	.39/9.9 <sup>Ⓞ</sup>
191600002	NC-1610	191600083	NC-1610T	.90/22.8	.39/9.9	.28/7.1	.38/9.6	.15/3.8	.45/11.4	1.750/44.45	.51/13.0
191600024	NC-8	191600028	NC-8T	1.10/27.9 <sup>Ⓞ</sup>	.50/12.7 <sup>Ⓞ</sup>	.36/9.1	.48/12.2	.21/5.3	.57/14.5	1.864/47.35	.60/15.2 <sup>Ⓞ</sup>



NOTES:

- MATERIAL: SLEEVE: TIN-PLATED COPPER  
INSULATION: 6/6 NYLON,  
NATURAL TRANSLUCENT
- Ⓞ PARTS ARE ROHS COMPLIANT.

SALES DRAWING

CORRECT DIM ERRORS EC NO: WNA2008-0280 DRAWN BY: THRODAHL 2008/05/08 CHKD: JMACNEIL 2008/05/09 APPR: JMACNEIL 2008/05/12	QUALITY SYMBOLS	GENERAL TOLERANCES (UNLESS SPECIFIED)	DIMENSION STYLE	SCALE	DESIGN UNITS	THIRD ANGLE PROJECTION	
	▽=0 ▽=0	mm INCH	IN/MM	5:1	INCH		
		4 PLACES ± --- ± --- 3 PLACES ± --- ± --- 2 PLACES ± --- ± --- 1 PLACE ± --- ± ---	DRAWN BY DATE H. BEITZE 04/02/23	TITLE	CLOSED END CONNECTORS NYLON INSULATED		
		ANGULAR ± ---°	CHECKED BY DATE R. DEROSS 04/02/23	APPROVED BY DATE R. DEROSS 04/02/23	MOLEX INCORPORATED		
		DRAFT WHERE APPLICABLE MUST REMAIN WITHIN DIMENSIONS	SEE CHART	DOCUMENT NO.	SD-19160-001	SHEET NO. 1 OF 1	
			SIZE B	THIS DRAWING CONTAINS INFORMATION THAT IS PROPRIETARY TO MOLEX INCORPORATED AND SHOULD NOT BE USED WITHOUT WRITTEN PERMISSION			