

PLEASE CHECK WWW.MOLEX.COM FOR LATEST PART INFORMATION

Part Number: [0191600002](#)
Status: **Active**
Description: Closed-End Insulated Splice for 10-16 AWG Wire

Agency Certification

CSA LR18689
 UL E32244

General

Product Family Splices
 Series [19160](#)
 Crimp Quality Equipment Yes
 Mil-Spec N/A
 MolexKits Yes
 Product Name Closed-End Insulated

Physical

Barrel Type Closed
 Flammability 94V-0
 Insulation Nylon (PA)
 Packaging Type Bag
 Temperature Range - Operating 105°C
 Wire Insulation Diameter 9.65mm (.380") max
 Wire Size AWG 10, 12, 14, 16

Electrical

Voltage - Maximum 600V

Material Info

Old Part Number NC-1610

Reference - Drawing Numbers

Product Specification PS-19160-005
 Sales Drawing SD-19160-001

EU RoHS

**ELV and RoHS
 Compliant**

REACH SVHC

Not Reviewed

Halogen-Free

Status

Not Reviewed

China RoHS



**Need more information on product
 environmental compliance?**

Email productcompliance@molex.com
 For a multiple part number RoHS Certificate of
 Compliance, [click here](#)

Please visit the [Contact Us](#) section for any
 non-product compliance questions.

Search Parts in this Series

[19160Series](#)

Application Tooling | FAQ

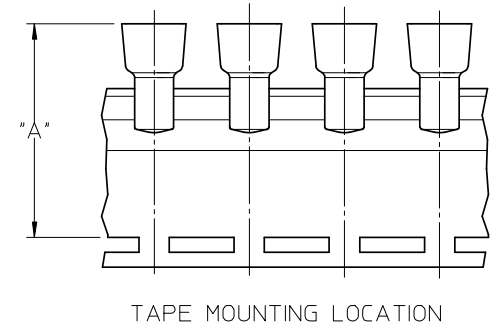
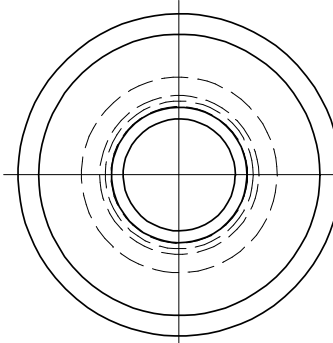
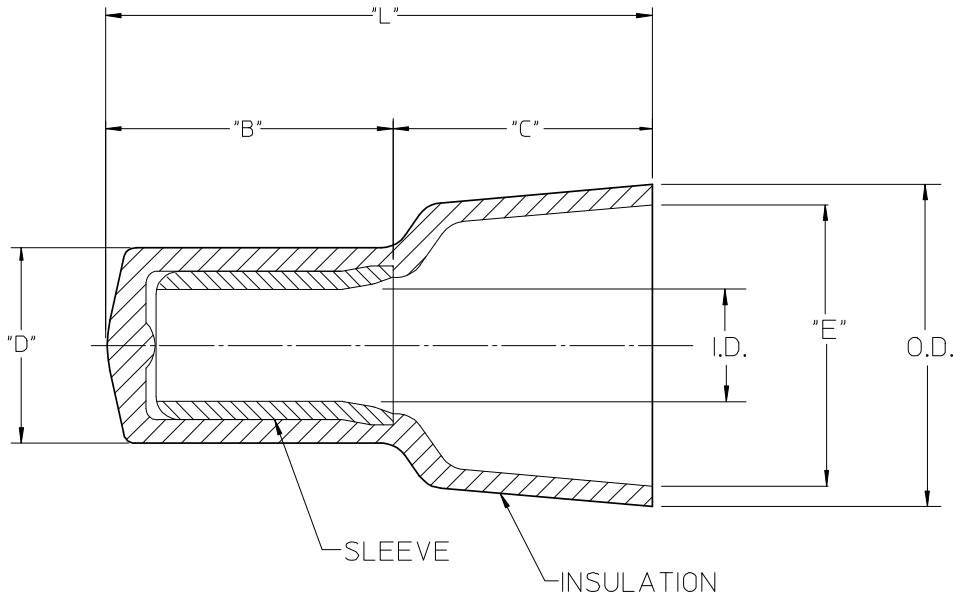
*Tooling specifications and manuals are
 found by selecting the products below.
 Crimp Height Specifications are then
 contained in the Application Tooling
 Specification document.*

Global

Description	Product #
Hand Crimp Tool	0640010600
Crimp Head for the AT-200™ Pneumatic Hand Tool, Crimp from Top	0640053500
Crimp Head for the AT-200™ Pneumatic Hand Tool	0640050600

PLEASE CHECK WWW.MOLEX.COM FOR LATEST PART INFORMATION

LOOSE PIECE		TAPE MOUNTED		"L" MAX.	"B" ±.010/0.25	"D" MAX.	"E" MIN.	I.D. MIN.	O.D. MAX.	"A" DIM ±.015/0.38	"C" REF
MATERIAL NO.	ENG. NO.	MATERIAL NO.	ENG. NO.								
191600012	NC-2214	191600070	NC-2214T	.62/15.7Ⓞ	.33/8.4 Ⓞ	.19/4.8	.24/6.1	.09/2.3	.32/8.1	1.543/39.19	.28/7.1 Ⓞ
191600009	NC-2212	191600071	NC-2212T	.76/19.3Ⓞ	.35/8.9 Ⓞ	.23/5.8	.27/6.9	.10/2.5	.36/9.1	1.631/41.43	.39/9.9 Ⓞ
191600002	NC-1610	191600083	NC-1610T	.90/22.8	.39/9.9	.28/7.1	.38/9.6	.15/3.8	.45/11.4	1.750/44.45	.51/13.0
191600024	NC-8	191600028	NC-8T	1.10/27.9Ⓞ	.50/12.7Ⓞ	.36/9.1	.48/12.2	.21/5.3	.57/14.5	1.864/47.35	.60/15.2Ⓞ



NOTES:

- MATERIAL: SLEEVE: TIN-PLATED COPPER
INSULATION: 6/6 NYLON,
NATURAL TRANSLUCENT
- Ⓞ PARTS ARE ROHS COMPLIANT.

SALES DRAWING

CORRECT DIM ERRORS EC NO: WNA2008-0280 DRAWN BY: H.BEITZE CHKD: JMACNEIL APPR: JMACNEIL	QUALITY SYMBOLS ▽=0 ▽=0	GENERAL TOLERANCES (UNLESS SPECIFIED)		DIMENSION STYLE		SCALE	DESIGN UNITS	THIRD ANGLE PROJECTION		
		mm	INCH	IN/MM		5:1	INCH			
		4 PLACES ±---	±---	DRAWN BY	DATE	TITLE				
		3 PLACES ±---	±---	H.BEITZE	04/02/23	CLOSED END CONNECTORS NYLON INSULATED				
2 PLACES ±---	±---	CHECKED BY		DATE	MOLEX INCORPORATED					
1 PLACE ±---	±---	R.DEROSS		04/02/23	DOCUMENT NO.					
ANGULAR ±---°		APPROVED BY		DATE	SD-19160-001					
DRAFT WHERE APPLICABLE MUST REMAIN WITHIN DIMENSIONS		R.DEROSS		04/02/23	SHEET NO.					
		MATERIAL NO.		1 OF 1						
		SEE CHART		THIS DRAWING CONTAINS INFORMATION THAT IS PROPRIETARY TO MOLEX INCORPORATED AND SHOULD NOT BE USED WITHOUT WRITTEN PERMISSION						
		SIZE B								