

PLEASE CHECK WWW.MOLEX.COM FOR LATEST PART INFORMATION

Part Number: [0015244455](#)
Status: **Active**
Overview: [disk drive power connector](#)
Description: 5.08mm (.200") Pitch Disk Drive Power Connection System Header, Straddle Mount, Right Angle, 4 Circuits, Lead-free, without PCB Locator Peg, Black Housing

Documents:

[3D Model](#) [Product Specification PS-8981-4SM* \(PDF\)](#)
[Drawing \(PDF\)](#) [RoHS Certificate of Compliance \(PDF\)](#)

Agency Certification

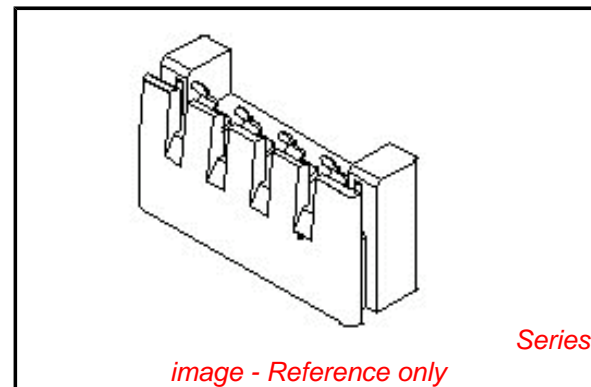
CSA LR19980
 UL E29179

General

Product Family PCB Headers
 Series [8981](#)
 Application Wire-to-Board
 Overview [disk drive power connector](#)
 Product Name Disk Drive Power

Physical

Breakaway No
 Circuits (Loaded) 4
 Circuits (maximum) 4
 Color - Resin Black
 Durability (mating cycles max) 25
 First Mate / Last Break No
 Flammability 94V-0
 Glow-Wire Compliant No
 Guide to Mating Part No
 Keying to Mating Part None
 Lock to Mating Part None
 Material - Metal Phosphor Bronze
 Material - Plating Mating Tin
 Material - Plating Termination Tin
 Material - Resin Polyester
 Number of Rows 1
 Orientation Right Angle
 PCB Locator No
 PCB Retention Yes
 Packaging Type Tray
 Pitch - Mating Interface (in) 0.200 In
 Pitch - Mating Interface (mm) 5.08 mm
 Plating min: Mating (µin) 101.6
 Plating min: Mating (µm) 2.54
 Plating min: Termination (µin) 101.6
 Plating min: Termination (µm) 2.54
 Polarized to Mating Part Yes
 Polarized to PCB Yes
 Shrouded Fully
 Stackable No
 Surface Mount Compatible (SMC) N/A
 Temperature Range - Operating -40°C to +105°C
 Termination Interface: Style Straddle Mount



EU RoHS

ELV and RoHS Compliant
REACH SVHC
 Not Reviewed
Halogen-Free Status
Not Reviewed

China RoHS



Need more information on product environmental compliance?

Email productcompliance@molex.com
 For a multiple part number RoHS Certificate of Compliance, [click here](#)

Please visit the [Contact Us](#) section for any non-product compliance questions.

Search Parts in this Series

[8981Series](#)

Mates With

[15244048](#) Disk Drive Power Connection System Female Crimp Housing

Electrical

Current - Maximum per Contact
Voltage - Maximum

6.5A
250V

Material Info

Old Part Number

A-8981-4SM1-LF

Reference - Drawing Numbers

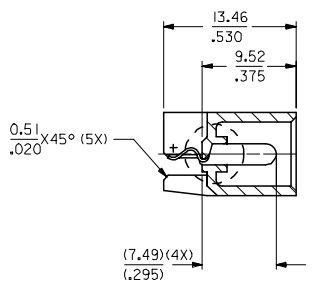
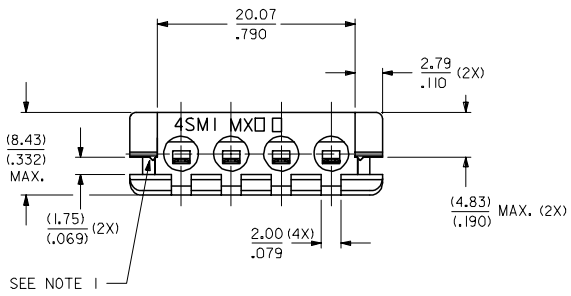
Product Specification
Sales Drawing

PS-8981-4SM*
SDA-8981-4SM1

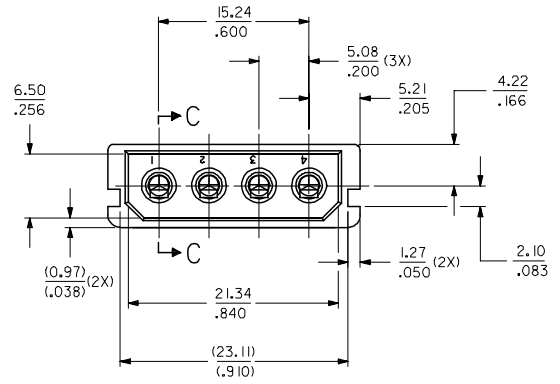
This document was generated on 05/24/2010

PLEASE CHECK WWW.MOLEX.COM FOR LATEST PART INFORMATION

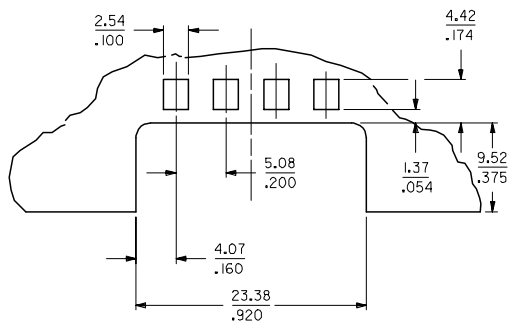
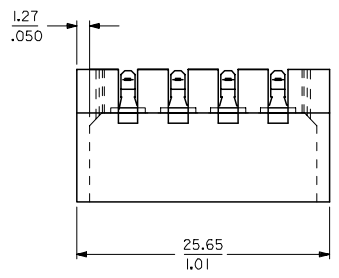
MAT'L NO.	ENG NO.
15-24-4455	A-8981-4SM1-LF



SECTION C - C



RECOMMENDED P.C. BOARD LAYOUT



NOTES:

- MOLDED RIBS TO PROVIDE AN INTERFERENCE FIT TO A 1.62± 0.10/(.064±.004) P.C. BOARD
- PLATING
POSTPLATE 0.00254/(.000100) MIN. TIN OVER
0.00127/(.000050) MIN. NICKEL OVERALL.
- PART INTENDED TO MATE WITH HOUSING 8981-4P2 AND TERMINAL 8980-3*.
- PRODUCT SPEC. PS-8981-4SM* APPLIES.
- MATERIAL:
HOUSING - PET, GLASS FILLED,
UL94V-0, COLOR: BLACK
TERMINAL - PHOSPHOR BRONZE

OBS TIN/LEAD P/N EC NO: S2006-0763 DRWN:MLG 2006/03/31 CHKD:NAGESHKN 2006/03/31 APPR:PTLIM 2006/04/03	QUALITY SYMBOLS ▽=0 △=0	GENERAL TOLERANCES (UNLESS SPECIFIED)		DIMENSION STYLE MM/IN	SCALE NTS	DESIGN UNITS METRIC	THIRD ANGLE PROJECTION
			mm	INCH	DRAWN BY CK	DATE 1989/09/30	TITLE POWER CONNECTOR, 4 CKTS SMT
		4 PLACES ± ---	± ---		CHECKED BY TAY	DATE 1989/09/30	
		3 PLACES ± ---	± .008		APPROVED BY NK	DATE 1989/09/30	
		2 PLACES ± 0.20	± ---				
		1 PLACE ± ---	± ---				
		ANGULAR ± 3 °					
		DRAFT WHERE APPLICABLE MUST REMAIN WITHIN DIMENSIONS		MATERIAL NO. SEE TABLE	DOCUMENT NO. SDA-8981-4SM1	MOLEX INCORPORATED	
			SIZE A3	THIS DRAWING CONTAINS INFORMATION THAT IS PROPRIETARY TO MOLEX INCORPORATED AND SHOULD NOT BE USED WITHOUT WRITTEN PERMISSION			SHEET NO. 1 OF 1