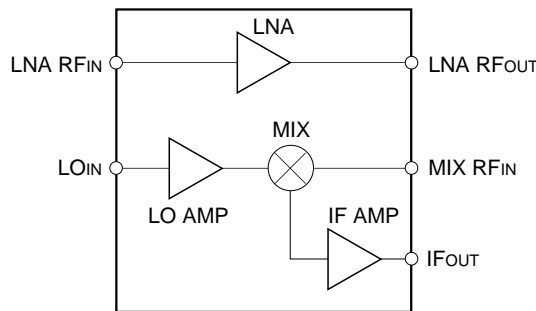


Electrical Characteristics

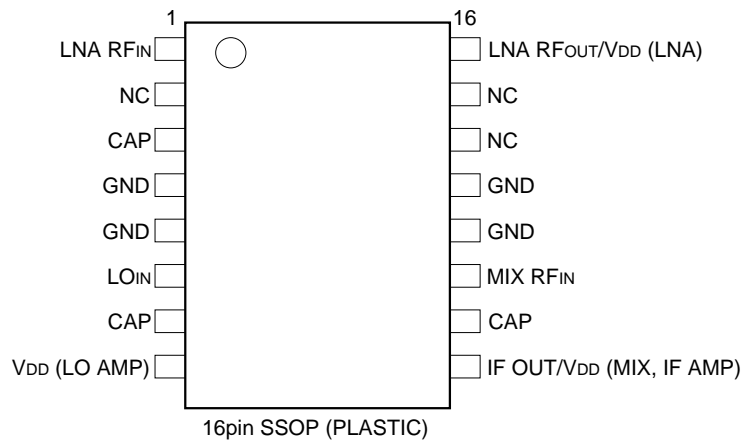
$V_{DD}=3.0\text{ V}$, $f_{RF}=1.9\text{ GHz}$, $f_{LO}=1.66\text{ GHz}$, $P_{LO}=-12\text{ dBm}$, when $50\text{ k}\Omega$ I/O matching; unless otherwise specified
 (Ta=25 °C)

Item	Symbol	Min.	Typ.	Max.	Unit	Measurement condition	
Low noise amplifier	Current consumption	I_{DD}	—	2.5	3.5	mA	When no signal
	Power gain	G_P	12.5	14.5	16.5	dB	
	Noise figure	NF	—	1.8	2.6	dB	
	Input IP3	IIP3	-8	-5	—	dBm	
	Isolation	Iso	25	30	—	dB	
Mixer	Current consumption	I_{DD}	—	5.5	8.0	mA	When no signal
	Conversion gain	G_c	7	9	11	dB	
	Noise figure	NF	—	7.2	9.2	dB	
	Input IP3	IIP3	-3	-0.5	—	dBm	
	LO to RF leak level	P_{LK}	—	-19	-14	dBm	
Total	Current consumption	I_{DD}	—	8.0	10.0	mA	When no signal

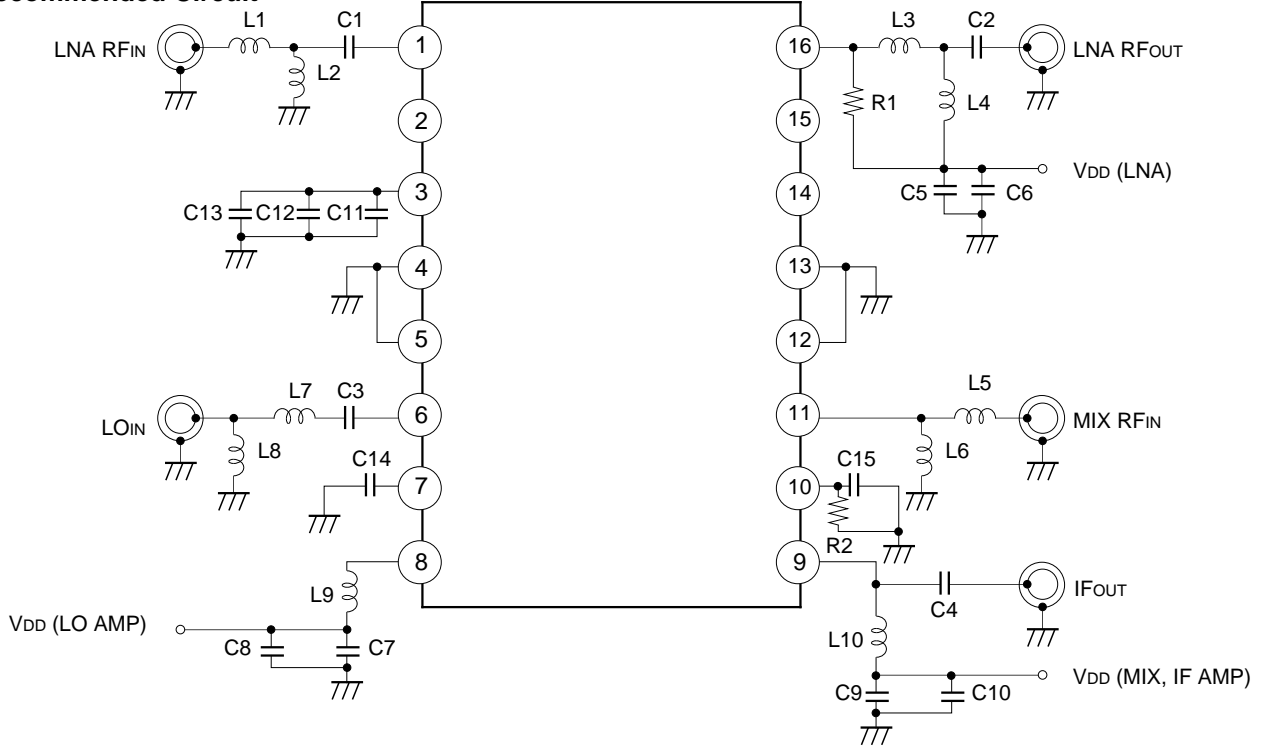
Block Diagram



Pin Configuration

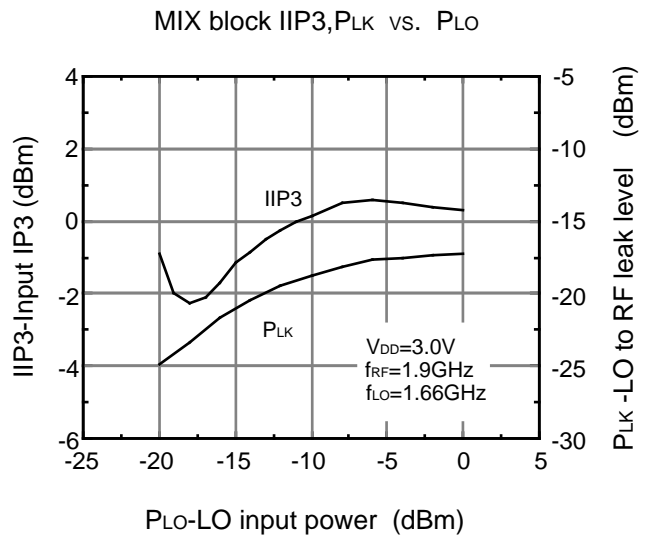
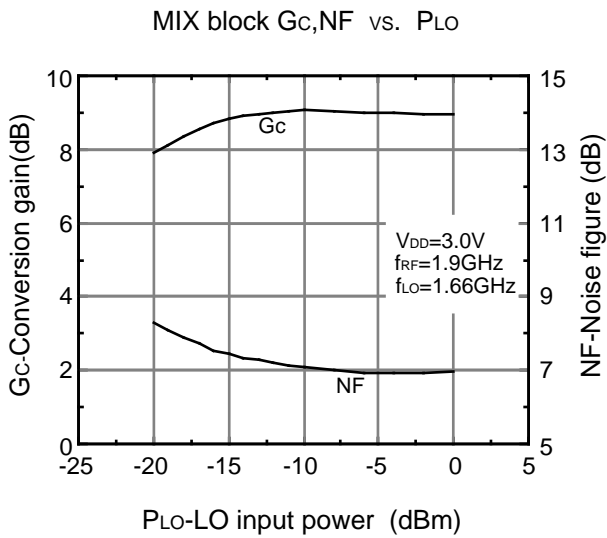
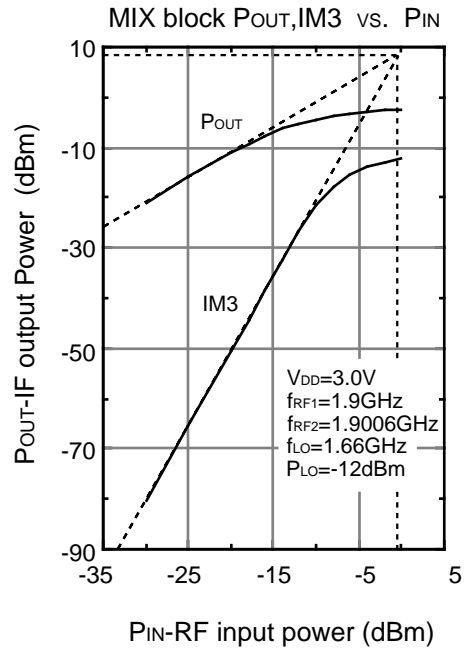
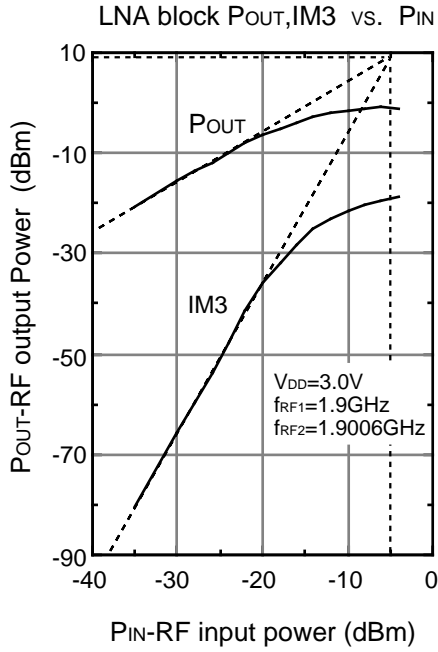


Recommended Circuit



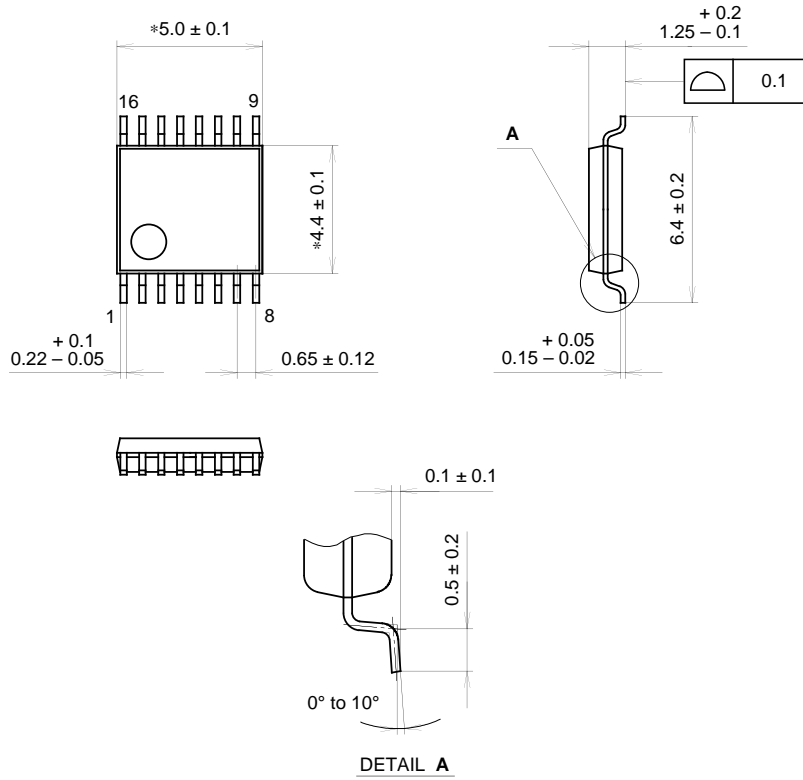
L1	8.2 nH	L10	68 nH	C9	1000 pF
L2	10 nH	C1	100 pF	C10	10 nF
L3	2.2 nH	C2	100 pF	C11	100 pF
L4	2.2 nH	C3	100 pF	C12	1000 pF
L5	8.2 nH	C4	7 pF	C13	10 nF
L6	22 nH	C5	1000 pF	C14	1000 pF
L7	6.8 nH	C6	10 nF	C15	0.1 μF
L8	3.3 nH	C7	1000 pF	R1	1 kΩ
L9	10 nH	C8	10 nF	R2	620 Ω

Example of Representative Characteristics (Ta=25 °C)



Package Outline Unit : mm

16PIN SSOP (PLASTIC)



NOTE: Dimension "*" does not include mold protrusion.

PACKAGE STRUCTURE

SONY CODE	SSOP-16P-L01
EIAJ CODE	SSOP016-P-0044
JEDEC CODE	_____

PACKAGE MATERIAL	EPOXY RESIN
LEAD TREATMENT	PALLADIUM PLATING
LEAD MATERIAL	COPPER
PACKAGE WEIGHT	0.1g