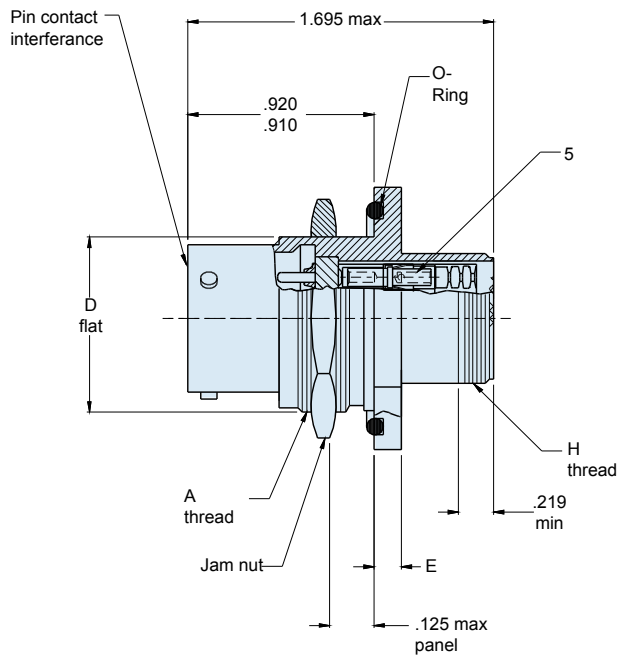
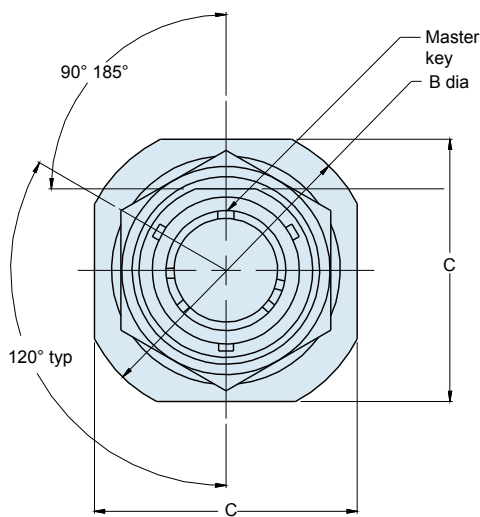
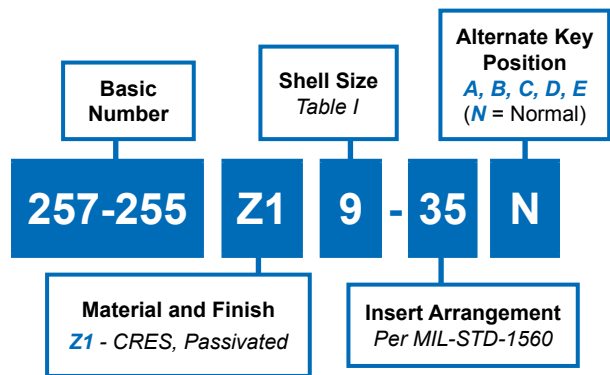


257-255
Jam Nut Mount Hermetic Receptacle
with Crimp Removable Socket Contacts,
MIL-DTL-38999 Series I Type

B



APPLICATION NOTES

- | | |
|---|---|
| <ol style="list-style-type: none"> 1. Assembly identified with manufacturer's name and part number, space permitting. 2. Insert arrangements in accordance with MIL-STD-1560. 3. Glenair 257-255 receptacle connector is designed to mate with any QPL manufacturer's MIL-DTL-38999 Series I plug connector having the same insert arrangement & polarization. 4. Material/finish:
Shell, jam nut—CRES/passivated | <ol style="list-style-type: none"> Pin contacts—nickel-iron alloy 52/gold Socket contacts—copper alloy/gold Insulator—fused vitreous glass/N.A. Insulators—high grade rigid dielectric/ N.A. Seals—pure fluorosilicone rubber/ N.A. 5. Supplied crimp removal socket contacts conform to M39029/57 6. Metric Dimensions (mm) are indicated in parentheses. |
|---|---|

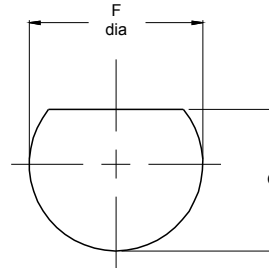
257-255
Jam Nut Mount Hermetic Receptacle
with Crimp Removable Socket Contacts,
MIL-DTL-38999 Series I Type



MIL-DTL
38999 Type

B

HERMETIC LEAK RATE MOD CODES	
Designator	Required Leak Rate
-585A	1 x 10 ⁻¹⁰ cc's Helium per second
-585B	1 x 10 ⁻⁹ cc's Helium per second
-585C	1 x 10 ⁻⁸ cc's Helium per second



Recommended Panel Cut-Out

TABLE I: CONNECTOR DIMENSIONS				
SHELL SIZE	A THREAD CLASS 2A	B DIA ±.016(0.4)	C FLATS ±.016(0.4)	D FLAT ±.005(0.1)
9	.6875-24 UNEF	1.188(30.2)	1.062(27.0)	.650(16.5)
11	.8125-20 UNEF	1.375(34.9)	1.250(31.8)	.750(19.1)
13	1.000-20 UNEF	1.500(38.1)	1.375(34.9)	.937(23.8)
15	1.125-18 UNEF	1.625(41.3)	1.500(38.1)	1.061(26.9)
17	1.250-18 UNEF	1.750(44.5)	1.625(41.3)	1.186(30.1)
19	1.375-18 UNEF	1.938(49.2)	1.812(46.0)	1.311(33.3)
21	1.500-18 UNEF	2.062(52.4)	1.938(49.2)	1.436(36.5)
23	1.625-18 UNEF	2.188(55.6)	2.062(52.4)	1.561(39.6)
25	1.750-18 UNS	2.312(58.7)	2.188(55.6)	1.686(42.8)

TABLE I (CONTINUED): CONNECTOR DIMENSIONS				
SHELL SIZE	E DIA ±.016(0.4)	F DIA ±.005(0.1)	G ±.005(0.1)	H THREAD CLASS 2A
9	.109(2.8)	.705(17.9)	.665(16.9)	.4375-28 UNEF
11	.109(2.8)	.827(21.0)	.764(19.4)	.5625-24 UNEF
13	.109(2.8)	1.012(25.7)	.950(24.1)	.6875-24 UNEF
15	.109(2.8)	1.139(28.9)	1.079(27.4)	.8125-20 UNEF
17	.140(3.6)	1.264(32.1)	1.203(30.6)	.9375-20 UNEF
19	.140(3.6)	1.389(35.3)	1.328(33.7)	1.0625-18 UNEF
21	.140(3.6)	1.512(38.4)	1.454(36.9)	1.1875-18 UNEF
23	.140(3.6)	1.639(41.6)	1.579(40.1)	1.3125-18 UNEF
25	.140(3.6)	1.764(44.8)	1.704(43.3)	1.4375-18 UNEF