

**PLEASE CHECK WWW.MOLEX.COM FOR LATEST PART INFORMATION**

**Part Number:** [1051271000](#)  
**Status:** **Active**  
**Overview:** [esatausb\\_combo\\_receptacles](#)  
**Description:** Combo External Serial ATA and USB Receptacles, Right Angle, Through hole, Bottom mount, Sink type, with Stand-off, Lead free

**Documents:**

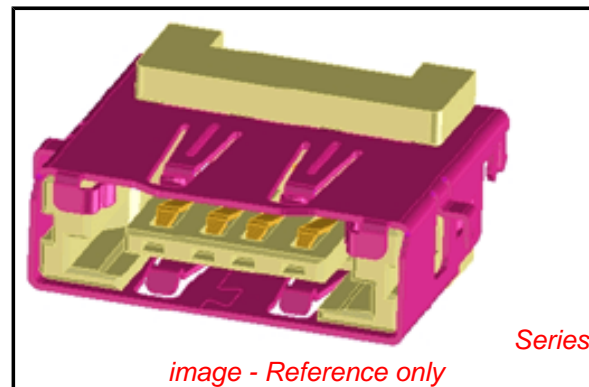
[Drawing \(PDF\)](#) [RoHS Certificate of Compliance \(PDF\)](#)  
[Product Specification PS-47403-001 \(PDF\)](#)

**General**

Product Family	I/O Connectors
Series	<a href="#">105127</a>
Application	Wire-to-Board
Comments	With Stand-off, reverse mounted on recessed PCB . Durability: 1,500 cycles for USB; 2,500 cycles for eSATA
Component Type	Receptacle
Overview	<a href="#">esatausb_combo_receptacles</a>
Product Name	eSATA/USB Combo, External Serial ATA, USB
Type	N/A

**Physical**

Circuits (Loaded)	4, 7
Circuits Detail	eSATA: 7 circuits; USB: 4 circuits
Color - Resin	Black
Durability (mating cycles max)	1,500
Gender	Male
Keying to Mating Part	Yes
Lock to Mating Part	Yes
Material - Metal	Copper Alloy
Material - Plating Mating	Gold
Material - Plating Termination	Tin
Material - Resin	High Temperature Thermoplastic
Number of Rows	2
Orientation	Right Angle
PCB Locator	No
PCB Retention	Yes
PCB Thickness Recommended (in)	0.047 In
PCB Thickness Recommended (mm)	1.20 mm
Packaging Type	Embossed Tape on Reel
Panel Mount	Yes
Pitch - Mating Interface (in)	0.050 In, 0.079 In, 0.098 In
Pitch - Mating Interface (mm)	1.27 mm, 2.00 mm, 2.50 mm
Pitch - Term. Interface (in)	0.050 In, 0.079 In, 0.098 In
Pitch - Term. Interface (mm)	1.27 mm, 2.00 mm, 2.50 mm
Plating min: Mating (µin)	2
Plating min: Mating (µm)	0.05
Plating min: Termination (µin)	80
Plating min: Termination (µm)	2
Polarized to Mating Part	Yes
Polarized to PCB	Yes
Ports	1
Temperature Range - Operating	-35°C to +85°C
Termination Interface: Style	Through Hole



**EU RoHS**

**ELV and RoHS  
Compliant**  
**REACH SVHC  
Not Reviewed**  
**Halogen-Free  
Status**

**China RoHS**



**Need more information on product  
environmental compliance?**

Email [productcompliance@molex.com](mailto:productcompliance@molex.com)  
 For a multiple part number RoHS Certificate of Compliance, [click here](#)

Please visit the [Contact Us](#) section for any non-product compliance questions.

**Search Parts in this Series**

[105127Series](#)

**Mates With**

External Serial ATA Cable Assembly or USB Type A Cable Assembly

**Electrical**

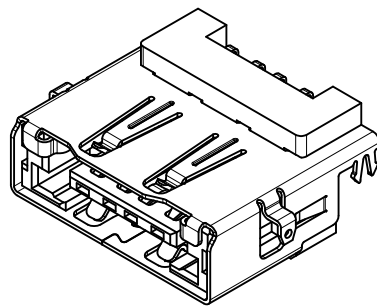
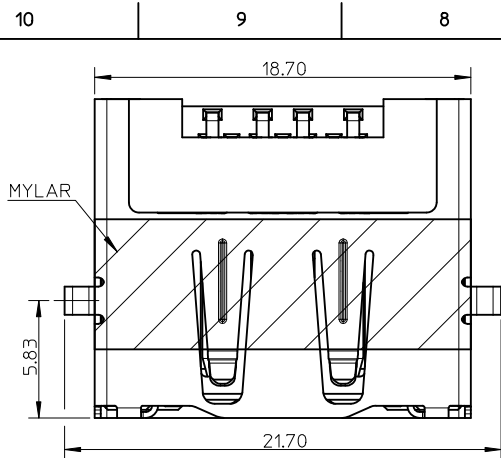
Current - Maximum per Contact	1.5A
Grounding to Panel	Yes
Shield Type	Full Shield
Shielded	Yes
Voltage - Maximum	15V DC

**Material Info****Reference - Drawing Numbers**

Packaging Specification	PK-105127-001
Product Specification	PS-47403-001
Sales Drawing	SD-105127-100

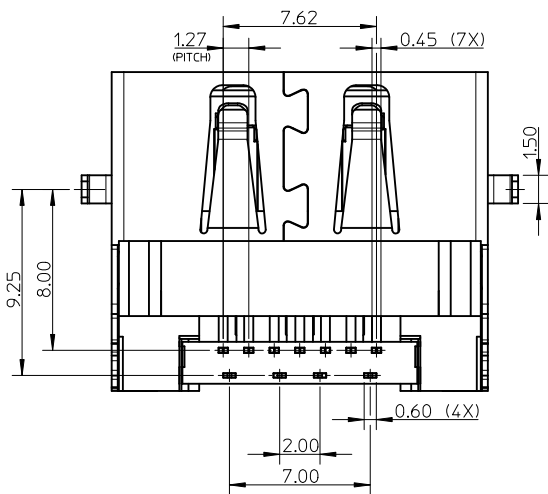
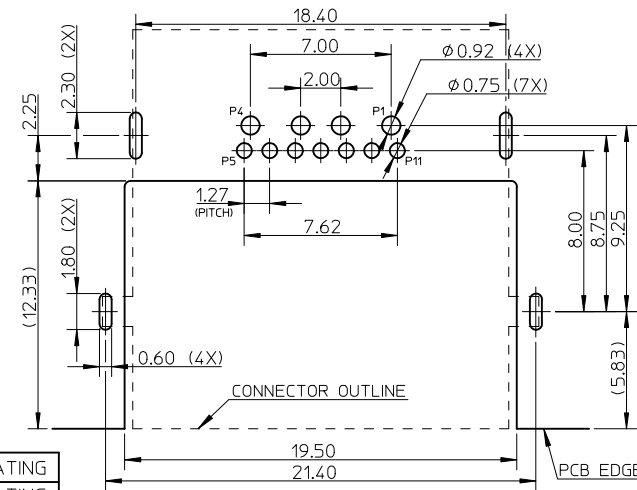
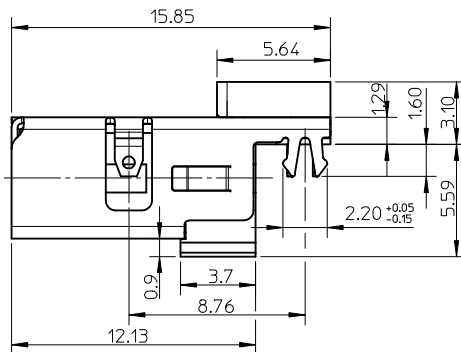
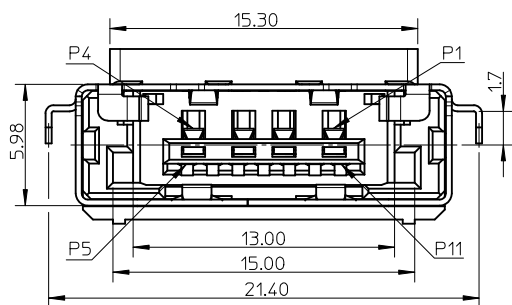
This document was generated on 05/31/2010

**PLEASE CHECK [WWW.MOLEX.COM](http://WWW.MOLEX.COM) FOR LATEST PART INFORMATION**



NOTES:

- MATERIAL:
  - HOUSING: HIGH TEMPERATURE THERMOPLASTIC, 30% GLASS FILLED, BLACK, UL94V-0.
  - TAIL GUIDER: HIGH TEMPERATURE THERMOPLASTIC, 30% GLASS FILLED, BLACK, UL94V-0.
  - TERMINAL-1: COPPER ALLOY.
  - TERMINAL-2: COPPER ALLOY.
  - METAL SHELL: METAL.
- TERMINAL PLATING:
  - CONTACT AREA: GOLD PLATING. DETAIL SEE TABLE;
  - SOLDER AREA: 2.0 MICROMETRE MINIMUM TIN PLATING;
  - UNDER PLATING: 1.27 MICROMETRE MINIMUM NICKEL PLATING.
- METAL SHELL PLATING: SOLDERABLE NICKEL PLATING.
- PRODUCT SPECIFICATION: PS-47403-001.
- PACKAGE SPECIFICATION: PK-105127-001.
- PRODUCT COMPLIANT TO RoHS DIRECTIVE 2002/95/EC AND ELV DIRECTIVE 2000/53/EC.



PIN ASSIGNMENT

USB		ESATA	
NAME	TYPE	NAME	TYPE
P1	VBUS	P5	GND
P2	D-	P6	A+
P3	D+	P7	A-
P4	GND	P8	GND
		P9	B-
		P10	B+
		P11	GND

105127-1002	0.76 MICROMETRE MIN. GOLD PLATING
105127-1001	0.38 MICROMETRE MIN. GOLD PLATING
105127-1000	GOLD FLASH
P/N	CONTACT AREA PLATING

RECOMMEND PCB LAYOUT, T=1.20mm  
PCB TOLERANCE: ±0.05

NEW RELEASE	2/2/10
EC NO: SH2010-0328	2010/02/04
DRWN: XQZHANG	2010/03/05
CHKD: GLLI	
APPR: XJSONG	
REV	DESCRIPTION
A	

QUALITY SYMBOLS	$\nabla = 0$ $\nabla = 0$ $\nabla = 0$
-----------------	--

GENERAL TOLERANCES (UNLESS SPECIFIED)	DIMENSION STYLE	
	MM ONLY	SCALE
	mm	4:1
	INCH	DESIGN UNITS
		METRIC
		THIRD ANGLE PROJECTION
		TITLE
		COMBO ESATA AND USB CONNECTOR
		BOTTOM MOUNT / SINK TYPE
		MATERIAL NO.
		SD-105127-100
		SHEET NO.
		1 OF 1

DRAWN BY	DATE
XQZHANG	2009/08/17
CHECKED BY	DATE
XJSONG	2009/08/17
APPROVED BY	DATE
XJSONG	2010/02/23
DRAFT WHERE APPLICABLE MUST REMAIN WITHIN DIMENSIONS	
SIZE	THIS DRAWING CONTAINS INFORMATION THAT IS PROPRIETARY TO MOLEX INCORPORATED AND SHOULD NOT BE USED WITHOUT WRITTEN PERMISSION
A3	

DRAWN BY		DATE	TITLE
XQZHANG		2009/08/17	COMBO ESATA AND USB CONNECTOR
CHECKED BY		DATE	BOTTOM MOUNT / SINK TYPE
XJSONG		2009/08/17	MATERIAL NO.
APPROVED BY		DATE	SD-105127-100
XJSONG		2010/02/23	SHEET NO.
MATERIAL NO.			1 OF 1
SEE TABLE			