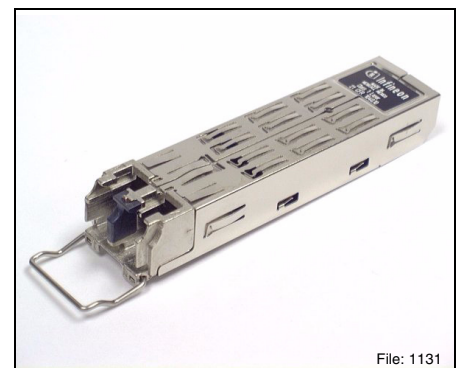
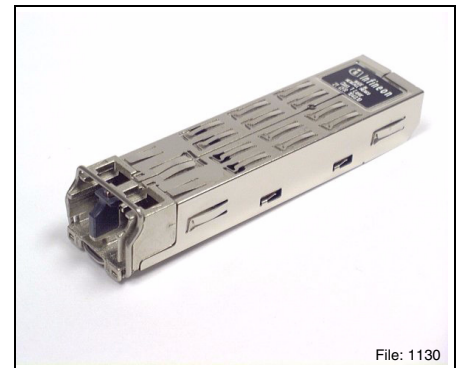


SFP - Small Form-factor Pluggable **V23838-M305-M56**
1.25 Gigabit Ethernet (1000 Base-SX)
2.125/1.0625 Gbit/s Fibre Channel (200-M5/M6-SN-I / 100-M5/M6-SN-I)
Multimode 850 nm Transceiver with LC™ Connector

Features

- Small Form-factor Pluggable (SFP) MSA compatible transceiver¹⁾
- Advanced release mechanism
- Easy access, even in belly to belly applications
- Wire handle release for simplicity
- Color coded black tab (multimode)
- PCI height compatible
- Excellent EMI performance
- Common ground concept
- RJ-45 style LC™ connector system
- Single power supply (3.3 V)
- Extremely low power consumption of 530 mW typical
- Small size for high channel density
- UL-94 V-0 certified
- ESD Class 1C per JESD22-A114-B (MIL-STD 883D Method 3015.7)
- According to FCC (Class B) and EN 55022
- For distances of up to 860 m (50 µm fiber)
- Laser safety according to Class 1 FDA and IEC
- AC/AC Coupling according to MSA
- Extended operating temperature range of –20°C to 85°C
- SFP evaluation kit V23848-S5-V4 available upon request
- A press fit cage and cage plugs are available as accessory products from Infineon (see **SFP Accessories**)



¹⁾ MSA documentation can be found at www.infineon.com/fiberoptics under Transceivers, SFP Transceivers.

LC™ is a trademark of Lucent

Pin Configuration

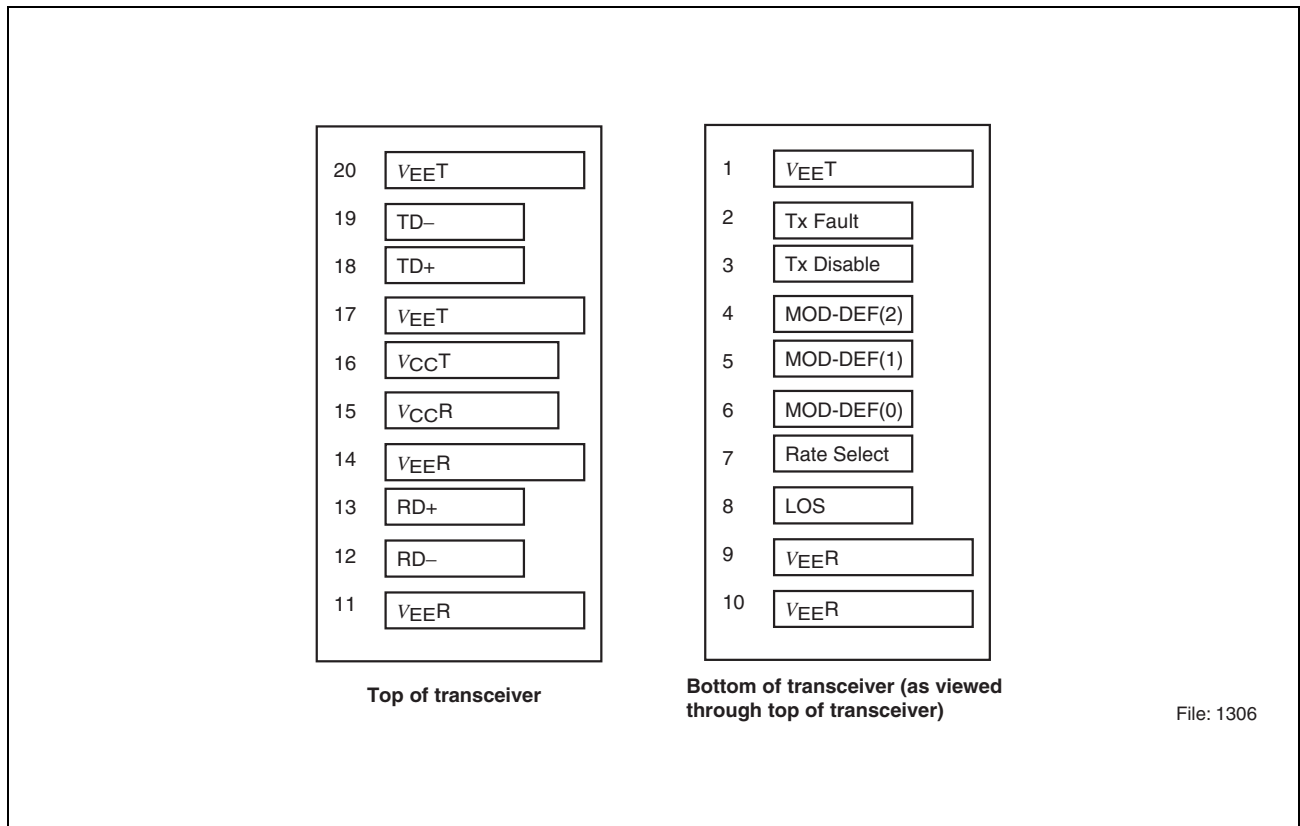


Figure 1 SFP Transceiver Electrical Pad Layout

Pin Configuration
Pin Description

| Pin No. | Name | Logic Level | Function |
|---------|-------------|-------------|---|
| 1 | $V_{EE}T$ | N/A | Transmitter Ground ¹⁾ |
| 2 | Tx Fault | LVTTTL | Transmitter Fault Indication ^{2) 8)} |
| 3 | Tx Disable | LVTTTL | Transmitter Disable ³⁾ |
| 4 | MOD-DEF(2) | LVTTTL | Module Definition 2 ^{4) 8)} |
| 5 | MOD-DEF(1) | LVTTTL | Module Definition 1 ^{5) 8)} |
| 6 | MOD-DEF(0) | N/A | Module Definition 0 ^{6) 8)} |
| 7 | Rate Select | N/A | Not connected |
| 8 | LOS | LVTTTL | Loss Of Signal ^{7) 8)} |
| 9 | $V_{EE}R$ | N/A | Receiver Ground ¹⁾ |
| 10 | $V_{EE}R$ | N/A | Receiver Ground ¹⁾ |
| 11 | $V_{EE}R$ | N/A | Receiver Ground ¹⁾ |
| 12 | RD- | LVPECL | Inv. Received Data Out ⁹⁾ |
| 13 | RD+ | LVPECL | Received Data Out ⁹⁾ |
| 14 | $V_{EE}R$ | N/A | Receiver Ground ¹⁾ |
| 15 | $V_{CC}R$ | N/A | Receiver Power |
| 16 | $V_{CC}T$ | N/A | Transmitter Power |
| 17 | $V_{EE}T$ | N/A | Transmitter Ground ¹⁾ |
| 18 | TD+ | LVPECL | Transmit Data In ¹⁰⁾ |
| 19 | TD- | LVPECL | Inv. Transmit Data In ¹⁰⁾ |
| 20 | $V_{EE}T$ | N/A | Transmitter Ground ¹⁾ |

¹⁾ Common transmitter and receiver ground within the module.

²⁾ A high signal indicates a laser fault of some kind and that laser is switched off.

³⁾ A low signal switches the transmitter on. A high signal or when not connected switches the transmitter off.

⁴⁾ MOD-DEF(2) is the data line of two wire serial interface for serial ID.

⁵⁾ MOD-DEF(1) is the clock line of two wire serial interface for serial ID.

⁶⁾ MOD-DEF(0) is grounded by the module to indicate that the module is present.

⁷⁾ A low signal indicates normal operation, light is present at receiver input. A high signal indicates the received optical power is below the worst case receiver sensitivity.

⁸⁾ Should be pulled up on host board to V_{CC} by 4.7 - 10 k Ω .

⁹⁾ AC coupled inside the transceiver. Must be terminated with 100 Ω differential at the user SERDES.

¹⁰⁾ AC coupled and 100 Ω differential termination inside the transceiver.

Description
Description

The Infineon Fibre Channel / Gigabit Ethernet multimode transceiver – part of Infineon SFP family – is compatible to the Physical Medium Depend (PMD) sublayer and baseband medium, type 1000 Base-SX (short wavelength) as specified in IEEE Std 802.3 and Fibre Channel

FC-PI-2 (Rev. 5.0) 200-M5-SN-I, 200-M6-SN-I for 2.125 Gbit/s, and
 FC-PI-2 (Rev. 5.0) 100-M5-SN-I, 100-M6-SN-I for 1.0625 Gbit/s.

The appropriate fiber optic cable is 62.5 μm or 50 μm multimode fiber with LC™ connector.

Link Length as Defined by IEEE and Fibre Channel Standards

| Fiber Type | Reach | | Unit |
|---------------------------------|--------------------|--------------------|--------|
| | min. ¹⁾ | max. ²⁾ | |
| at 1.0625 Gbit/s | | | |
| 50 μm , 2000 MHz*km | 2 | 860 | meters |
| 50 μm , 500 MHz*km | 2 | 500 | |
| 50 μm , 400 MHz*km | 2 | 450 | |
| 62.5 μm , 200 MHz*km | 2 | 300 | |
| 62.5 μm , 160 MHz*km | 2 | 250 | |
| at 1.25 Gbit/s | | | |
| 50 μm , 500 MHz*km | 2 | 550 | meters |
| 50 μm , 400 MHz*km | 2 | 500 | |
| 62.5 μm , 200 MHz*km | 2 | 275 | |
| 62.5 μm , 160 MHz*km | 2 | 220 | |
| at 2.125 Gbit/s | | | |
| 50 μm , 2000 MHz*km | 2 | 500 | meters |
| 50 μm , 500 MHz*km | 2 | 300 | |
| 50 μm , 400 MHz*km | 2 | 260 | |
| 62.5 μm , 200 MHz*km | 2 | 150 | |
| 62.5 μm , 160 MHz*km | 2 | 120 | |

¹⁾ Minimum reach as defined by IEEE and Fibre Channel Standards. A 0 m link length (loop-back connector) is supported.

²⁾ Maximum reach as defined by IEEE and Fibre Channel Standards. Longer reach possible depending upon link implementation.

Description

The Infineon SFP multimode transceiver is a single unit comprised of a transmitter, a receiver, and an LC™ receptacle.

This transceiver supports the LC™ connectorization concept. It is compatible with RJ-45 style backpanels for high end datacom and telecom applications while providing the advantages of fiber optic technology.

The module is designed for low cost SAN, LAN, Fibre Channel and Gigabit Ethernet applications. It can be used as the network end device interface in mainframes, workstations, servers, and storage devices, and in a broad range of network devices such as bridges, routers, hubs, and local and wide area switches.

This transceiver operates at 1.0625 Gbit/s / 1.25 Gbit/s / 2.125 Gbit/s from a single power supply (+3.3 V). The 100 Ω differential data inputs and outputs are LVPECL and CML compatible.

Functional Description of SFP Transceiver

This transceiver is designed to transmit serial data via multimode cable.

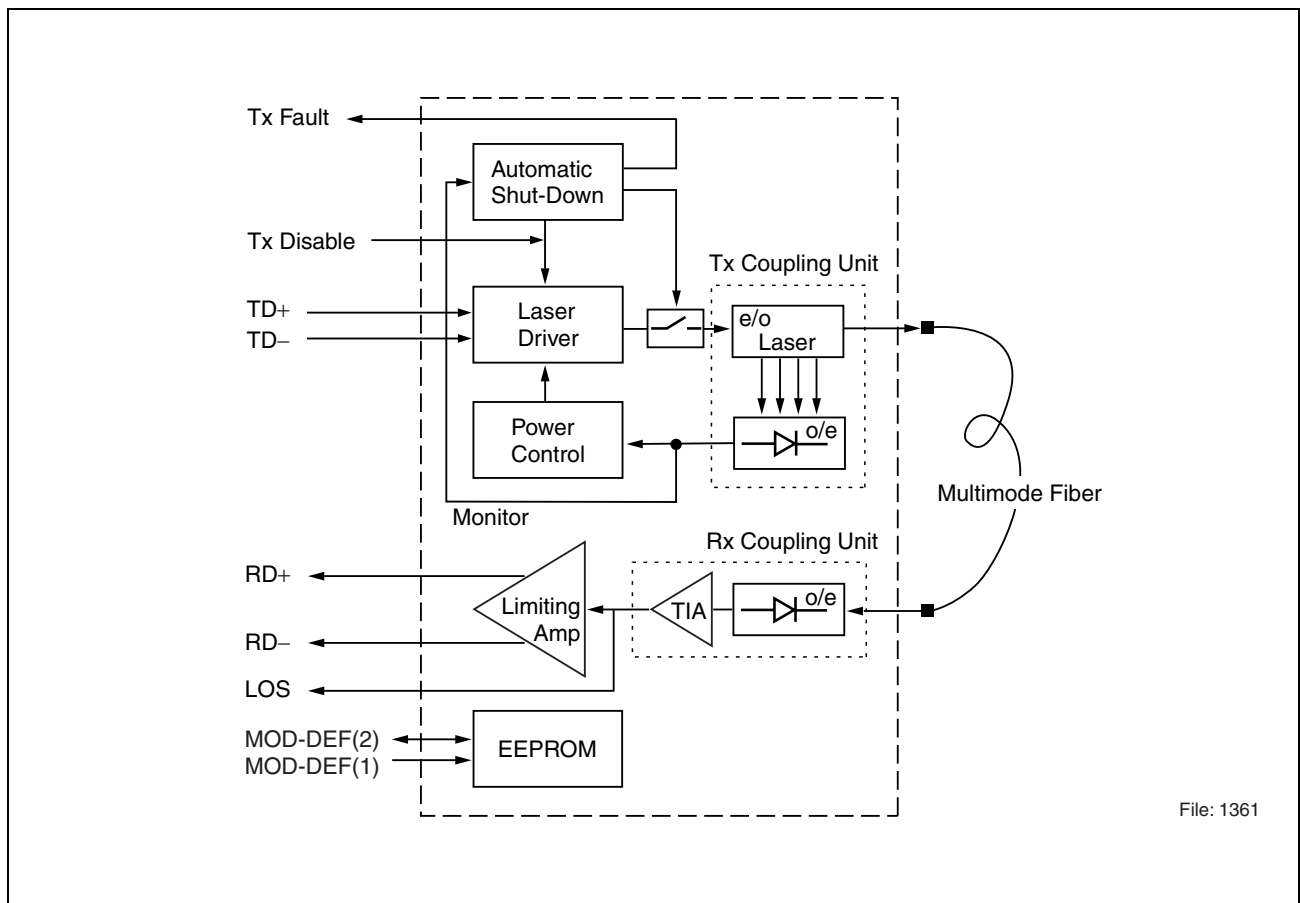


Figure 2 Functional Diagram

Description

The receiver component converts the optical serial data into CML compatible electrical data (RD+ and RD–). The Loss Of Signal (LOS) shows whether an optical signal is present.

The transmitter converts CML compatible electrical serial data (TD+ and TD–) into optical serial data. Data lines are differentially 100 Ω terminated.

The transmitter contains a laser driver circuit that drives the modulation and bias current of the laser diode. The currents are controlled by a power control circuit to guarantee constant output power of the laser over temperature and aging. The power control uses the output of the monitor PIN diode (mechanically built into the laser coupling unit) as a controlling signal, to prevent the laser power from exceeding the operating limits.

Single fault condition is ensured by means of an integrated automatic shutdown circuit that disables the laser when it detects laser fault to guarantee the laser Eye Safety.



The transceiver contains a supervisory circuit to control the power supply. This circuit makes an internal reset signal whenever the supply voltage drops below the reset threshold. It keeps the reset signal active for at least 140 milliseconds after the voltage has risen above the reset threshold. During this time the laser is inactive.

A low signal on TxDis enables transmitter. If TxDis is high or not connected the transmitter is disabled.

The serial ID interface defines a 256 byte memory map in EEPROM, accessible over a 2 wire, serial interface at the 8 bit address 1010000X (A0h).

Description

Regulatory Compliance (EMI)

| Feature | Standard | Comments |
|--|---|--|
| ESD: Electrostatic Discharge to the Electrical Pins | EIA/JESD22-A114-B (MIL-STD 883D method 3015.7) | Class 1C |
| Immunity: Against Electrostatic Discharge (ESD) to the Duplex LC Receptacle | EN 61000-4-2 IEC 61000-4-2 | Discharges ranging from ± 2 kV to ± 15 kV on the receptacle cause no damage to transceiver (under recommended conditions). |
| Immunity: Against Radio Frequency Electromagnetic Field | EN 61000-4-3 IEC 61000-4-3 | With a field strength of 10 V/m, noise frequency ranges from 10 MHz to 2 GHz. No effect on transceiver performance between the specification limits. |
| Emission: Radiated Field Strength | FCC 47 CFR Part 15, Class B CISPR 22 EN 55022 Class B | Noise frequency range: 30 MHz to 18 GHz |
|  <small>File: 1400</small> | Compliant with 89/336/EEC | EN 55022 EN 55024 |
|  <small>File: 1406</small> | | This device complies with part 15 of the FCC Rules ¹⁾ . Operation is subject to the following two conditions: 1 This device may not cause harmful interference. 2 This device must accept any interference received, including interference that may cause undesired operation. |

¹⁾ Any kind of modification not expressly approved by Infineon Technologies may affect the regulatory compliance of the concerned product. As a consequence thereof this could void the user's authority to operate the equipment.

Technical Data
Absolute Maximum Ratings

| Parameter | Symbol | Limit Values | | Unit |
|--|-----------------|--------------|--------------|------|
| | | min. | max. | |
| Data Input Voltage | $V_{ID\ max}$ | | $V_{CC}+0.5$ | V |
| Differential Data Input Voltage Swing | $V_{ID\ pk-pk}$ | | 5 | V |
| Storage Ambient Temperature | T_S | -40 | 85 | °C |
| Operating Case Temperature ¹⁾ | T_C | -20 | 85 | °C |
| Storage Relative Humidity | RH_s | 5 | 95 | % |
| Operating Relative Humidity | RH_o | 5 | 85 | % |
| Supply Voltage | $V_{CC\ max}$ | | 4 | V |
| Data Output Current | I_{data} | | 50 | mA |
| Receiver Optical Input Power | $Rx_P\ max$ | | 3 | dBm |

¹⁾ Operating case temperature measured at transceiver reference point (in cage through 2nd centre hole from rear, see **Figure 9**).

Exceeding any one of these values may permanently destroy the device.

Electrical Characteristics ($V_{CC} = 2.97\text{ V to }3.63\text{ V}$, $T_C = -20^\circ\text{C to }85^\circ\text{C}$)

| Parameter | Symbol | Values | | | Unit |
|--|-----------------|----------|------|----------|-----------|
| | | min. | typ. | max. | |
| Common | | | | | |
| Supply Voltage | $V_{CC}-V_{EE}$ | 2.97 | 3.3 | 3.63 | V |
| In-rush Current ¹⁾ | $I_{IR\ max}$ | | | 30 | mA |
| Power Dissipation | P | 400 | | 700 | mW |
| Transmitter | | | | | |
| Differential Data Input Voltage Swing ²⁾ | $V_{ID\ pk-pk}$ | 500 | | 3200 | mV |
| Tx Disable Voltage | Tx_{Dis} | 2 | | V_{CC} | V |
| Tx Enable Voltage | Tx_{En} | V_{EE} | | 0.8 | V |
| Tx Fault High Voltage | Tx_{FH} | 2.4 | | V_{CC} | V |
| Tx Fault Low Voltage | Tx_{FL} | V_{EE} | | 0.5 | V |
| Supply Current ³⁾ | I_{Tx} | | 100 | 150 | mA |
| Receiver | | | | | |
| Differential Data Output Voltage Swing ⁴⁾ | $V_{OD\ pk-pk}$ | 500 | | 1000 | mV |
| LOS Active | LOS_A | 2.4 | | V_{CC} | V |
| LOS Normal | LOS_N | V_{EE} | | 0.5 | V |
| Receiver 3 dB Cut-off Frequency ⁵⁾ | | | | 1.5 | GHz |
| Receiver 10 dB Cut-off Frequency ⁵⁾ | | | | 3 | GHz |
| Rise Time ⁶⁾ | t_{R-Rx} | | 125 | | ps |
| Fall Time ⁶⁾ | t_{F-Rx} | | 170 | | ps |
| Contributed Deterministic Jitter ⁷⁾ | DJ_{Rx} | | | 47 | ps |
| Contributed Total Jitter ⁸⁾ | TJ_{Rx} | | | 124 | ps |
| Jitter (pk-pk) ⁹⁾ | J_{Rx} | | 60 | | ps |
| Power Supply Noise Rejection ¹⁰⁾ | PSNR | | 100 | | mV_{pp} |
| Supply Current ^{3) 11)} | I_{Rx} | | 80 | 90 | mA |

¹⁾ Measured with MSA recommended supply filter network (**Figure 7**). Maximum value above that of the steady state value.

²⁾ Internally AC coupled. Typical 100 Ω differential input impedance.

³⁾ MSA defines maximum current at 300 mA.

Technical Data

- 4) Internally AC coupled. Load $50\ \Omega$ to GND or $100\ \Omega$ differential. For dynamic measurement a tolerance of 50 mV should be added.
- 5) Fibre Channel PI Standard.
- 6) Measured values are 20% - 80%.
- 7) Deterministic Jitter is that jitter measured by a bathtub scan, using a 2^7-1 NRZ PRBS, and extrapolating to 1 BER.
- 8) Total Jitter is that jitter measured by a bathtub scan, using a 2^7-1 NRZ PRBS, and extrapolating to 1×10^{-12} BER.
- 9) Jitter (pk-pk) is measured using a 2^7-1 NRZ PRBS and a Digital Communications Analyzer.
- 10) Measured using a 20 Hz to 1 MHz sinusoidal modulation with the MSA recommended power supply filter network (**Figure 7**) in place. A change in sensitivity of less than 1 dB can be typically expected.
- 11) Supply current excluding Rx output load.

Optical Characteristics ($V_{CC} = 2.97\text{ V to }3.63\text{ V}$, $T_C = -20^\circ\text{C to }85^\circ\text{C}$)

| Parameter | Symbol | Values | | | Unit |
|---|---------------------------------|------------|------------|-------------------|---------------|
| | | min. | typ. | max. | |
| Transmitter | | | | | |
| Optical Modulation Amplitude ¹⁾ @ 2.125 Gbit/s @ 1.0625 Gbit/s | OMA | 196 156 | 450 450 | | μW |
| Launched Power (Average) ²⁾ | P_O | -8.5 | -6 | -4 | dBm |
| Extinction Ratio (Dynamic) | ER | 9 | 14.5 | | dB |
| Center Wavelength | λ_C | 830 | 850 | 860 | nm |
| Spectral Width (rms) | σ_I | | 0.15 | 0.85 | nm |
| Relative Intensity Noise | RIN | | | -117 | dB/Hz |
| Tx Disable Laser Output Power | $P_{O-TxDis}$ | | | -50 | dBm |
| Deterministic Jitter ³⁾ | DJ_{Tx} | | | 56 | ps |
| Total Jitter ⁴⁾ | TJ_{Tx} | | | 120 | ps |
| Jitter (pk-pk) ⁵⁾ | J_{Tx} | 20 | 35 | 85 | ps |
| Rise Time ⁶⁾ | t_{R-Tx} | | 85 | 150 | ps |
| Fall Time ⁶⁾ | t_{F-Tx} | | 135 | 150 | ps |
| Receiver⁷⁾ | | | | | |
| Min. Optical Modulation Amplitude ⁸⁾ @ 2.125 Gbit/s @ 1.0625 Gbit/s | OMA | | 24 19 | 49 31 | μW |
| Sensitivity (Average Power) ⁹⁾ @ 2.125 Gbit/s @ 1.25 Gbit/s @ 1.0625 Gbit/s | P_{IN} | | -22 | -19 -19 -19 | dBm |
| Stressed Receiver Sensitivity 50 μm Fiber ¹⁰⁾ @ 2.125 Gbit/s @ 1.0625 Gbit/s | S_{PIN} 50 μm | | 29 24 | 96 55 | μW |
| Stressed Receiver Sensitivity 62.5 μm Fiber ¹⁰⁾ @ 2.125 Gbit/s @ 1.0625 Gbit/s | S_{PIN} 62.5 μm | | 34 32 | 109 67 | μW |
| LOS Assert Level ¹¹⁾ | P_{LOSA} | -30 | -28 | | dBm |

Optical Characteristics ($V_{CC} = 2.97\text{ V to }3.63\text{ V}$, $T_C = -20^\circ\text{C to }85^\circ\text{C}$) (cont'd)

| Parameter | Symbol | Values | | | Unit |
|-----------------------------------|---------------------------|--------|------|------|------|
| | | min. | typ. | max. | |
| LOS Deassert Level ¹¹⁾ | P_{LOSD} | | -25 | -20 | dBm |
| LOS Hysteresis ¹¹⁾ | P_{LOSA} $-P_{LOSD}$ | 1 | 2 | | dB |
| Input Center Wavelength | λ_C | 770 | 850 | 860 | nm |
| Optical Return Loss | ORL | 12 | | | dB |

- ¹⁾ Fibre Channel PI Standard. Typical OMA values based on -6 dBm launched power (average) and 15 dB extinction ratio.
- ²⁾ Into multimode fiber, 62.5 μm or 50 μm diameter.
- ³⁾ Deterministic Jitter is that jitter measured by a bathtub scan, using a 2^7-1 NRZ PRBS, and extrapolating to 1 BER.
- ⁴⁾ Total Jitter is that jitter measured by a bathtub scan, using a 2^7-1 NRZ PRBS, and extrapolating to 1×10^{-12} BER.
- ⁵⁾ Jitter (pk-pk) is measured using a 2^7-1 NRZ PRBS and a Digital Communications Analyzer.
- ⁶⁾ Values are 20% - 80%. Measured at nominal data rate, unfiltered, using an O/E plug-in with a bandwidth of 2.85 GHz or higher. Complies with FC 1x, FC 2x and Gigabit Ethernet eye mask when filtered.
- ⁷⁾ Receiver characteristics are measured with a worst case reference laser.
- ⁸⁾ Fibre Channel PI Standard.
- ⁹⁾ Average optical power at which the BER is 1×10^{-12} . Measured with a 2^7-1 NRZ PRBS and ER = 9 dB.
- ¹⁰⁾ Measured at the given Stressed Receiver Eye Closure Penalty and DCD component given in Fibre Channel PI Standard (2.03/2.18 dB & 40/80 ps).
- ¹¹⁾ See **Figure 3**.

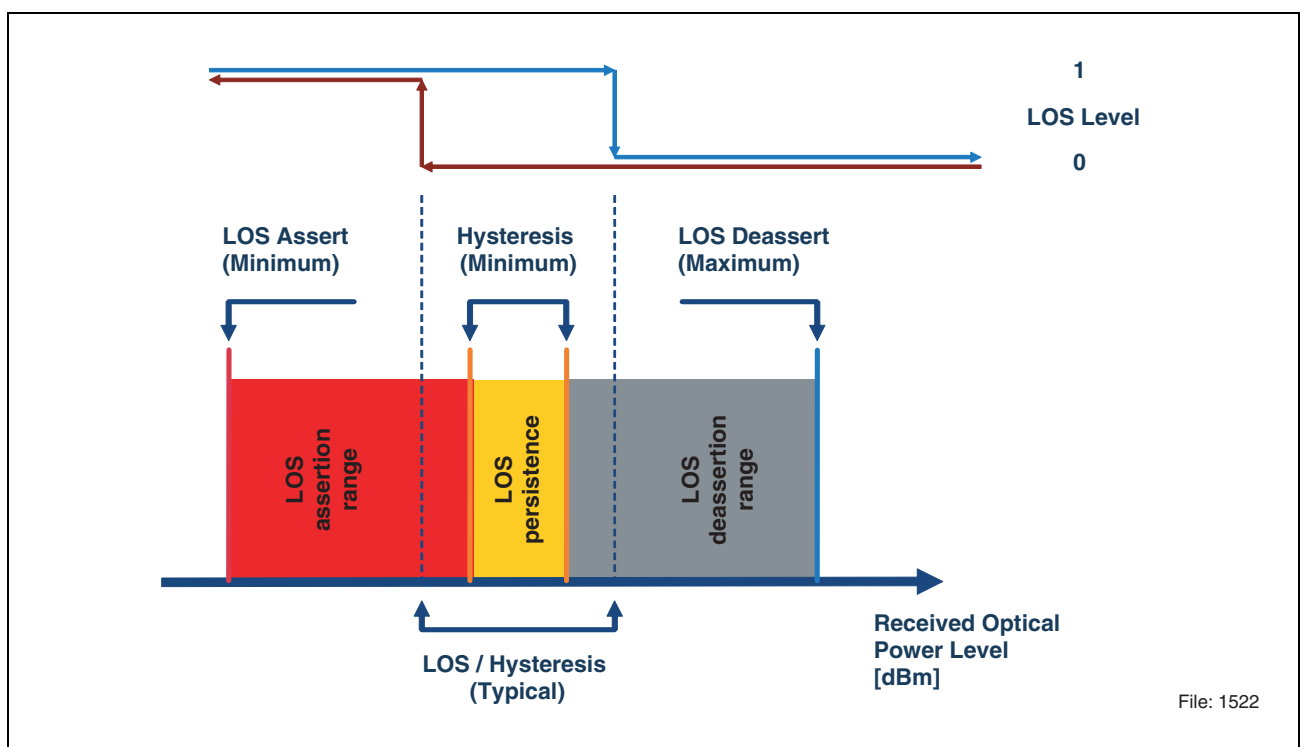


Figure 3

Timing of Control and Status I/O

| Parameter | Symbol | Values | | Unit | Condition |
|---|----------------|--------|------|------|--|
| | | min. | max. | | |
| Tx Disable Assert Time | t_off | | 10 | µs | Time from rising edge of Tx Disable to when the optical output falls below 10% of nominal |
| Tx Disable Negate Time | t_on | | 1 | ms | Time from falling edge of Tx Disable to when the modulated optical output rises above 90% of nominal |
| Time to Initialize, Including Reset of Tx Fault | t_init | | 300 | ms | From power on or negation of Tx Fault using Tx Disable |
| Tx Fault Assert Time | t_fault | | 100 | µs | Time from fault to Tx Fault on |
| Tx Disable to Reset | t_reset | 10 | | µs | Time Tx Disable must be held high to reset Tx Fault |
| LOS Assert Time | t_loss_on | | 100 | µs | Time from LOS state to Rx LOS assert |
| LOS Deassert Time | t_loss_off | | 100 | µs | Time from non-LOS state to Rx LOS deassert |
| I ² C Bus Clock Rate | f_i2cbus_clock | | 100 | kHz | |

Eye Safety

This laser based multimode transceiver is a Class 1 product. It complies with IEC 60825-1/A2: 2001 and FDA performance standards for laser products (21 CFR 1040.10 and 1040.11) except for deviations pursuant to Laser Notice 50, dated July 26, 2001.

CLASS 1 LASER PRODUCT

To meet laser safety requirements the transceiver shall be operated within the Absolute Maximum Ratings.

Note: All adjustments have been made at the factory prior to shipment of the devices. No maintenance or alteration to the device is required. Tampering with or modifying the performance of the device will result in voided product warranty. Failure to adhere to the above restrictions could result in a modification that is considered an act of “manufacturing”, and will require, under law, recertification of the modified product with the U.S. Food and Drug Administration (ref. 21 CFR 1040.10 (i)).

Laser Emission Data

| | |
|--|------------------------|
| Wavelength | 850 nm |
| Maximum total output power (as defined by IEC: 7 mm aperture at 14 mm distance) | 709 μ W / -1.5 dBm |
| Beam divergence (full angle) / NA (half angle) | 20° / 0.18 rad |

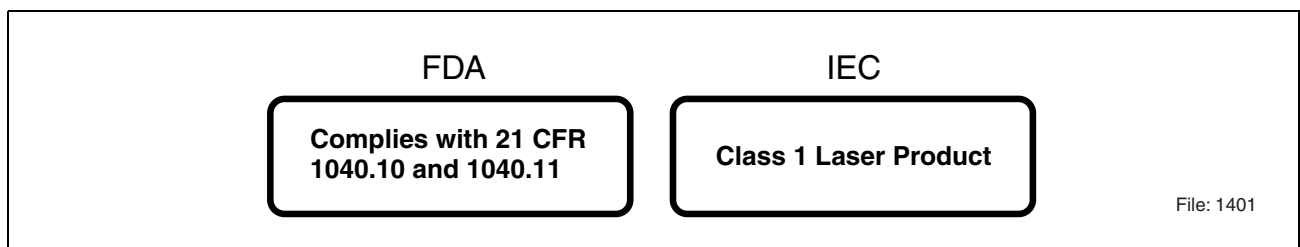


Figure 4 Required Labels

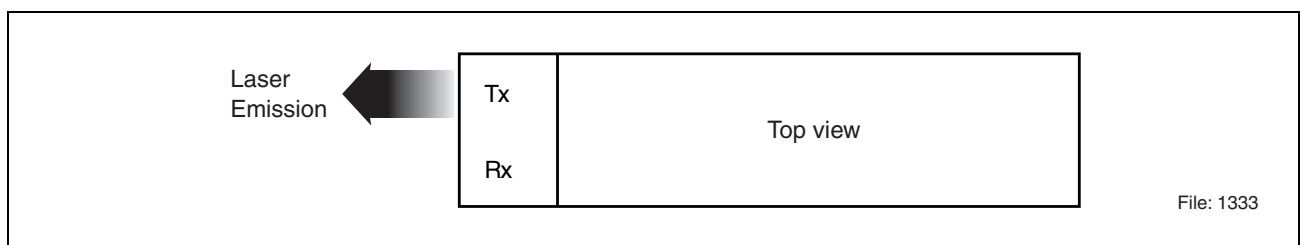


Figure 5 Laser Emission

Application Notes

EMI Recommendations

To avoid electromagnetic radiation exceeding the required limits set by the standards, please take note of the following recommendations.

When Gigabit switching components are found on a PCB (e.g. multiplexer, serializer-deserializer, clock data recovery, etc.), any opening of the chassis may leak radiation; this may also occur at chassis slots other than that of the device itself. Thus every mechanical opening or aperture should be as small as feasible and its length carefully considered.

On the board itself, every data connection should be an impedance matched line (e.g. strip line or coplanar strip line). Data (D) and Data-not (Dn) should be routed symmetrically. Vias should be avoided. Where internal termination inside an IC or a transceiver is not present, a line terminating resistor must be provided. The decision of how best to establish a ground depends on many boundary conditions. This decision may turn out to be critical for achieving lowest EMI performance. At RF frequencies the ground plane will always carry some amount of RF noise. Thus the ground and V_{CC} planes are often major radiators inside an enclosure. As a general rule, for small systems such as PCI cards placed inside poorly shielded enclosures, the common ground scheme has often proven to be most effective in reducing RF emissions. In a common ground scheme, the PCI card becomes more equipotential with the chassis ground. As a result, the overall radiation will decrease. In a common ground scheme, it is strongly recommended to provide a proper contact between signal ground and chassis ground at every location where possible. This concept is designed to avoid hotspots which are places of highest radiation, caused when only a few connections between chassis and signal grounds exist. Compensation currents would concentrate at these connections, causing radiation. However, as signal ground may be the main cause for parasitic radiation, connecting chassis ground and signal ground at the wrong place may result in enhanced RF emissions.

For example, connecting chassis ground and signal ground at a front panel/bezel/chassis by means of a fiber optic transceiver/cage may result in a large amount of radiation especially where combined with an inadequate number of grounding points between signal ground and chassis ground. Thus the transceiver becomes a single contact point increasing radiation emissions. Even a capacitive coupling between signal ground and chassis ground may be harmful if it is too close to an opening or an aperture. For a number of systems, enforcing a strict separation of signal ground from chassis ground may be advantageous, providing the housing does not present any slots or other discontinuities. This separate ground concept seems to be more suitable in large systems where appropriate shielding measures have also been implemented. The return path of RF current must also be considered. Thus a split ground plane between Tx and Rx paths may result in severe EMI problems.

Application Notes

The bezel opening for a transceiver should be sized so that all contact springs of the transceiver cage make good electrical contact with the face plate. Please consider that the PCB may behave like a dielectric waveguide. With a dielectric constant of 4, the wavelength of the harmonics inside the PCB will be half of that in free space. Thus even the smallest PCBs may have unexpected resonances.

Large systems can have many openings in the front panel for SFP transceivers. In typical applications, not all of these ports will hold transceivers; some may be intentionally left empty. These empty slots may emit significant amounts of radiation. Thus it is recommended that empty ports be plugged with an EMI plug as shown in **Figure 6**. Infineon offers an EMI/dust plug, P/N V23818-S5-B1.

SFP Accessories

Cage:
 Infineon Technologies
 Part Number: V23838-S5-N1/V23838-S5-N1-BB

Host Board Connector:
 Tyco Electronics
 Part Number: 1367073-1

Cage EMI/Dust Plug:
 Infineon Technologies
 Part Number: V23818-S5-B1

Cage Dust Plug:
 Infineon Technologies
 Part Number: V23818-S5-B2

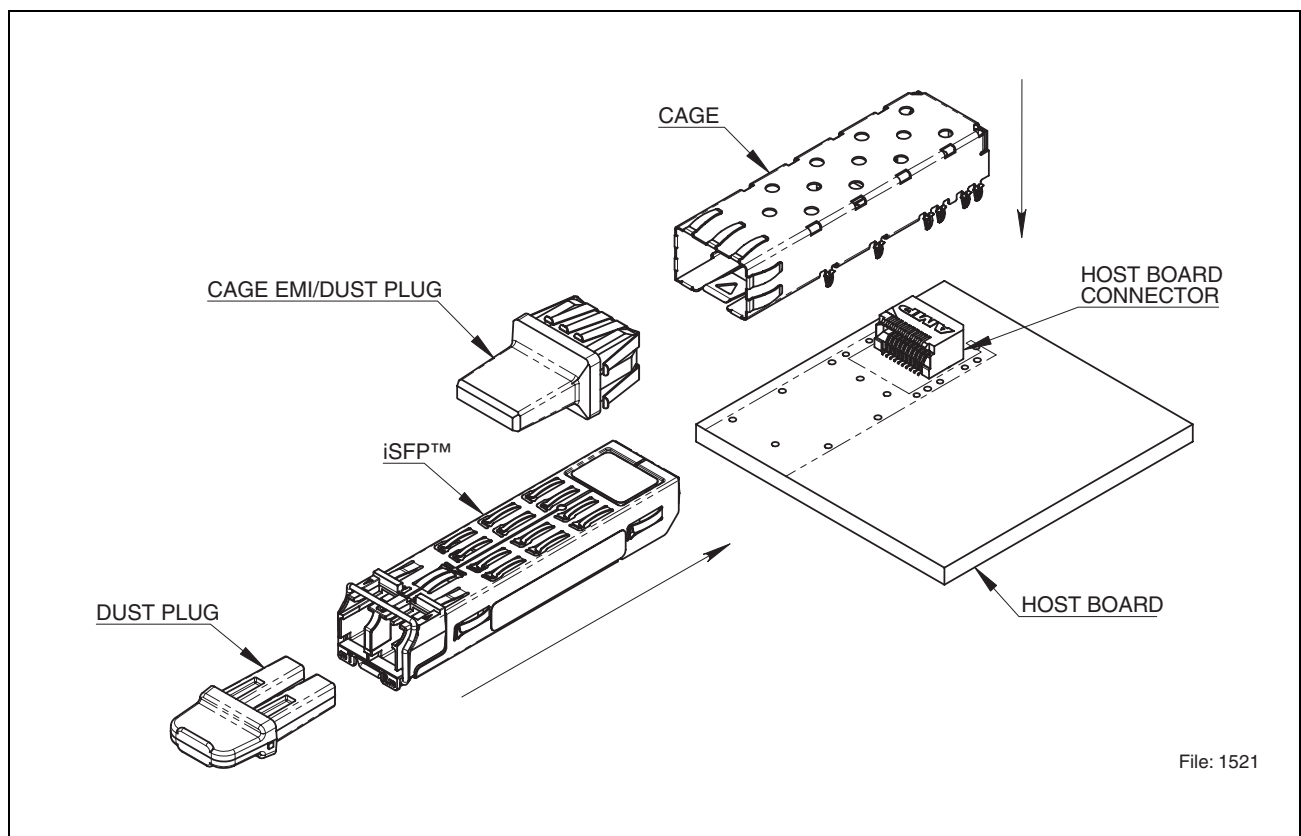


Figure 6

EEPROM Serial ID Memory Contents (A0h)

| Addr. | Hex | ASCII | Name/Description | Addr. | Hex | ASCII | Name/Description |
|-------|-----|-------|-----------------------------------|-------|-----|------------------------------|---|
| 0 | 03 | | Identifier | 32 | 47 | G | Vendor name |
| 1 | 04 | | Extended identifier | 33 | 6D | m | |
| 2 | 07 | | Connector | 34 | 62 | b | |
| 3 | 00 | | Transceiver optical compatibility | 35 | 48 | H | |
| 4 | 00 | | | 36 | 00 | | Reserved |
| 5 | 00 | | | 37 | 00 | | Vendor OUI |
| 6 | 01 | | | 38 | 03 | | |
| 7 | 40 | | | 39 | 19 | | |
| 8 | 40 | | | 40 | 56 | V | Vendor part number |
| 9 | 0C | | | 41 | 32 | 2 | |
| 10 | 05 | | | 42 | 33 | 3 | |
| 11 | 01 | | | 43 | 38 | 8 | |
| 12 | 15 | | | 44 | 33 | 3 | |
| 13 | 00 | | 45 | 38 | 8 | | |
| 14 | 00 | | 46 | 2D | - | | |
| 15 | 00 | | 47 | 4D | M | | |
| 16 | 1E | | 48 | 33 | 3 | | |
| 17 | 0F | | 49 | 30 | 0 | | |
| 18 | 00 | | 50 | 35 | 5 | | |
| 19 | 00 | | 51 | 2D | - | | |
| 20 | 49 | l | Vendor name | 52 | 4D | M | |
| 21 | 6E | n | | 53 | 35 | 5 | |
| 22 | 66 | f | | 54 | 36 | 6 | |
| 23 | 69 | i | | 55 | 20 | | |
| 24 | 6E | n | | 56 | 41 | A | Vendor revision, product status dependent |
| 25 | 65 | e | | 57 | 34 | 4 | |
| 26 | 6F | o | | 58 | 41 | A | |
| 27 | 6E | n | | 59 | 39 | 9 | |
| 28 | 20 | | | 60 | 03 | | Wavelength |
| 29 | 46 | F | | 61 | 52 | | |
| 30 | 4F | O | 62 | 00 | | Reserved | |
| 31 | 20 | | 63 | 21 | | Check sum of bytes 0 - 62 | |

Application Notes

EEPROM Serial ID Memory Contents (A0h) (cont'd)

| Addr. | Hex | ASCII | Name/Description | Addr. | Hex | ASCII | Name/Description |
|-------|-----|-------|---|-----------|-----|--|------------------|
| 64 | 00 | | Transceiver signal options | 96 | 20 | Vendor specific EEPROM | |
| 65 | 1A | | | 97 | 20 | | |
| 66 | 00 | | BR, maximum | 98 | 20 | | |
| 67 | 32 | | BR, minimum | 99 | 20 | | |
| 68 | | | Vendor serial number | 100 | 20 | | |
| 69 | | | | 101 | 20 | | |
| 70 | | | | 102 | 20 | | |
| 71 | | | | 103 | 20 | | |
| 72 | | | | 104 | 20 | | |
| 73 | | | | 105 | 20 | | |
| 74 | | | | 106 | 20 | | |
| 75 | | | | 107 | 20 | | |
| 76 | 20 | | | 108 | 20 | | |
| 77 | 20 | | | 109 | 20 | | |
| 78 | 20 | | | 110 | 20 | | |
| 79 | 20 | | | 111 | 20 | | |
| 80 | 20 | | | 112 | 20 | | |
| 81 | 20 | | | 113 | 20 | | |
| 82 | 20 | | | 114 | 20 | | |
| 83 | 20 | | | 115 | 20 | | |
| 84 | | | Vendor manufacturing date code | 116 | 20 | | |
| 85 | | | | 117 | 20 | | |
| 86 | | | | 118 | 20 | | |
| 87 | | | | 119 | 20 | | |
| 88 | | | | 120 | 20 | | |
| 89 | | | 121 | 20 | | | |
| 90 | 20 | | | 122 | 20 | | |
| 91 | 20 | | | 123 | 20 | | |
| 92 | 00 | | | 124 | 20 | | |
| 93 | 00 | | Diagnostic monitoring type | 125 | 20 | | |
| 94 | 00 | | Enhanced options | 126 | 20 | | |
| 95 | | | SFF-8472 compliance | 127 | 20 | | |
| | | | Low order 8 bits of the sum of the contents of all the bytes from byte 64 to byte 94, inclusive | 128 - 255 | 00 | Vendor specific. Reserved for future use | |
| | | | | | | | |

Multimode 850 nm SFP Transceiver, AC/AC TTL

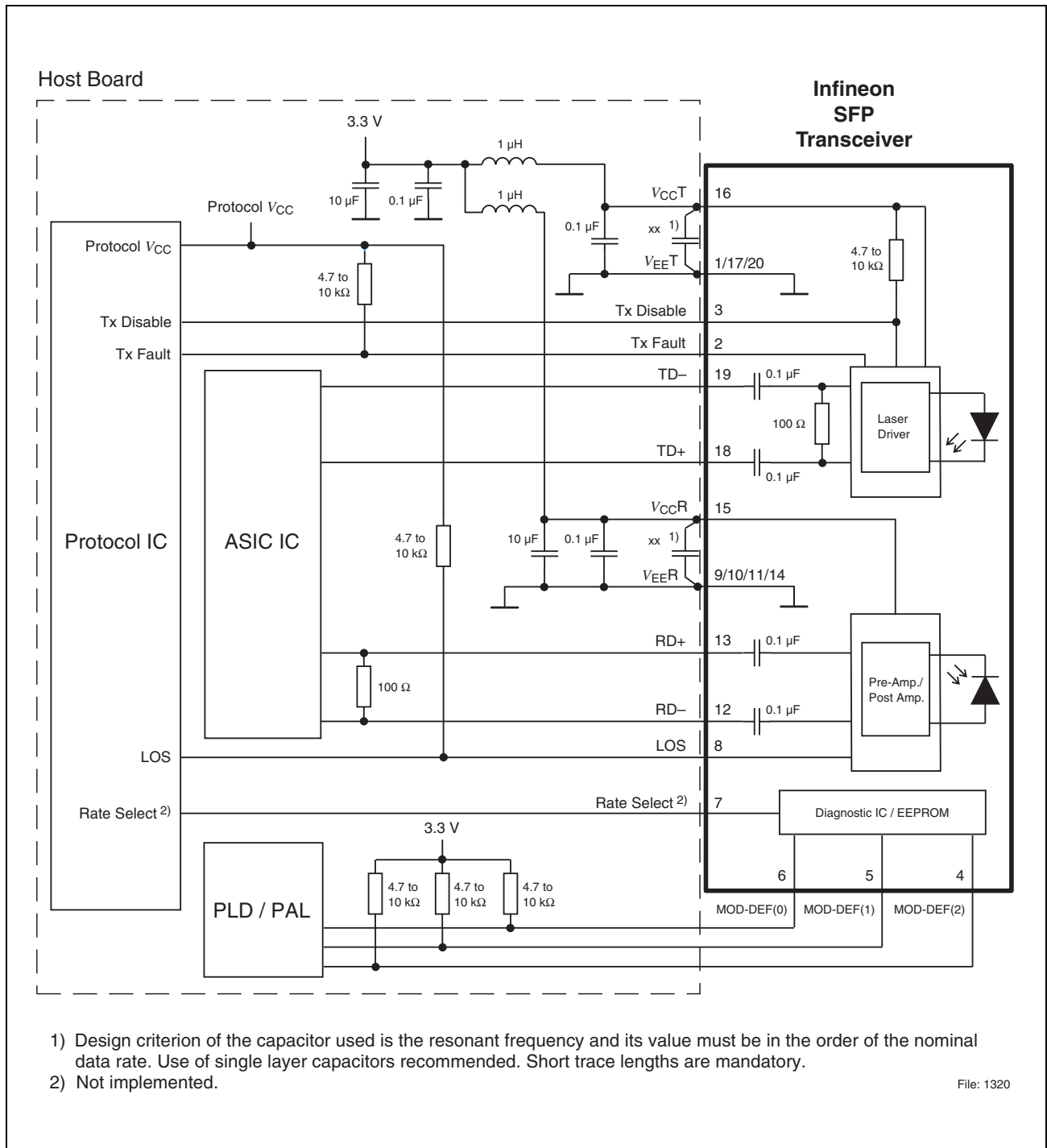


Figure 7 Example SFP Host Board Schematic and Recommended Host Board Supply Filtering Network

Package Outlines

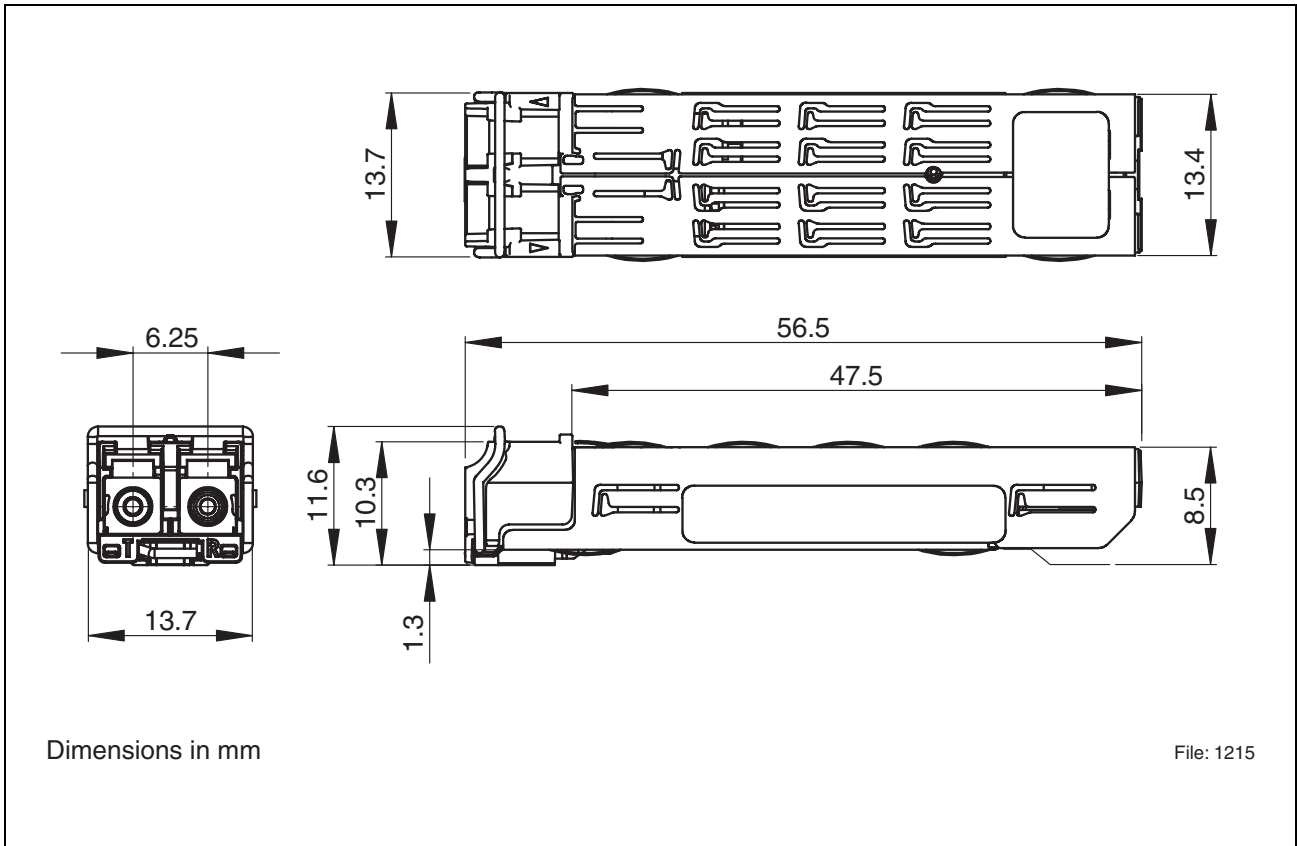


Figure 8

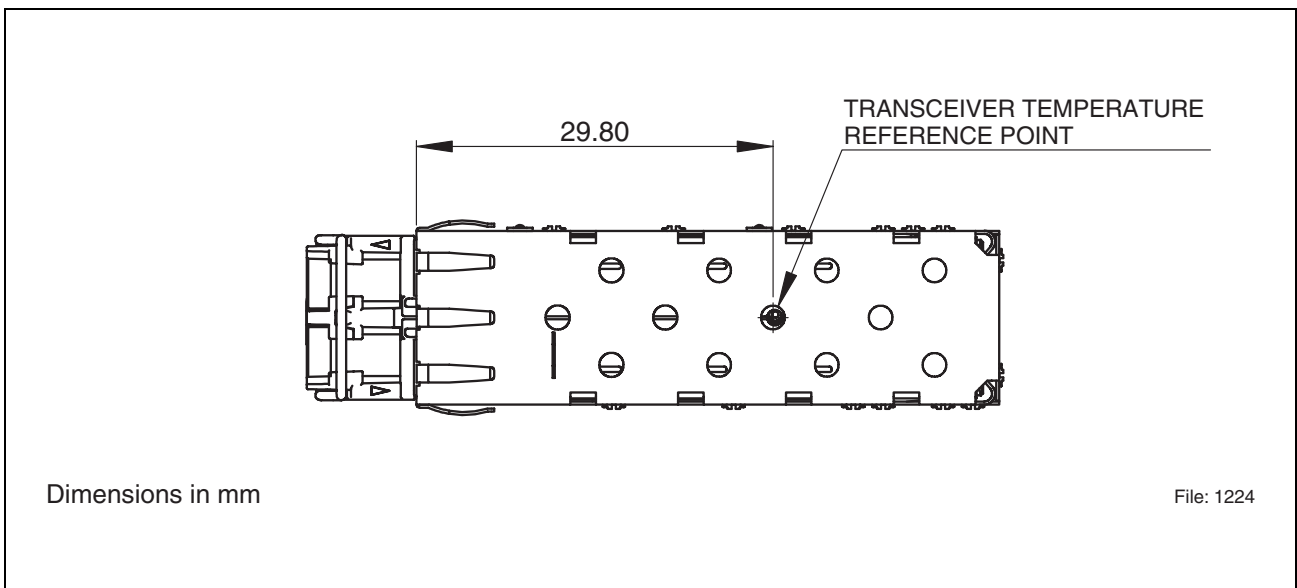


Figure 9

Revision History: 2004-06-23

DS3

Previous Version: 2004-01-09

| Page | Subjects (major changes since last revision) |
|--------------|---|
| 1 | Features changed |
| 4 | Description changed |
| 9, 17 | Tables changed |
| 19 | Figure 7 Host Board Schematic changed |

Edition 2004-06-23**Published by Infineon Technologies AG,
St.-Martin-Strasse 53,
81669 München, Germany****© Infineon Technologies AG 2004.
All Rights Reserved.****Attention please!**

The information herein is given to describe certain components and shall not be considered as a guarantee of characteristics.

Terms of delivery and rights to technical change reserved.

We hereby disclaim any and all warranties, including but not limited to warranties of non-infringement, regarding circuits, descriptions and charts stated herein.

Information

For further information on technology, delivery terms and conditions and prices please contact your nearest Infineon Technologies Office (www.infineon.com).

Warnings

Due to technical requirements components may contain dangerous substances. For information on the types in question please contact your nearest Infineon Technologies Office.

Infineon Technologies Components may only be used in life-support devices or systems with the express written approval of Infineon Technologies, if a failure of such components can reasonably be expected to cause the failure of that life-support device or system, or to affect the safety or effectiveness of that device or system. Life support devices or systems are intended to be implanted in the human body, or to support and/or maintain and sustain and/or protect human life. If they fail, it is reasonable to assume that the health of the user or other persons may be endangered.