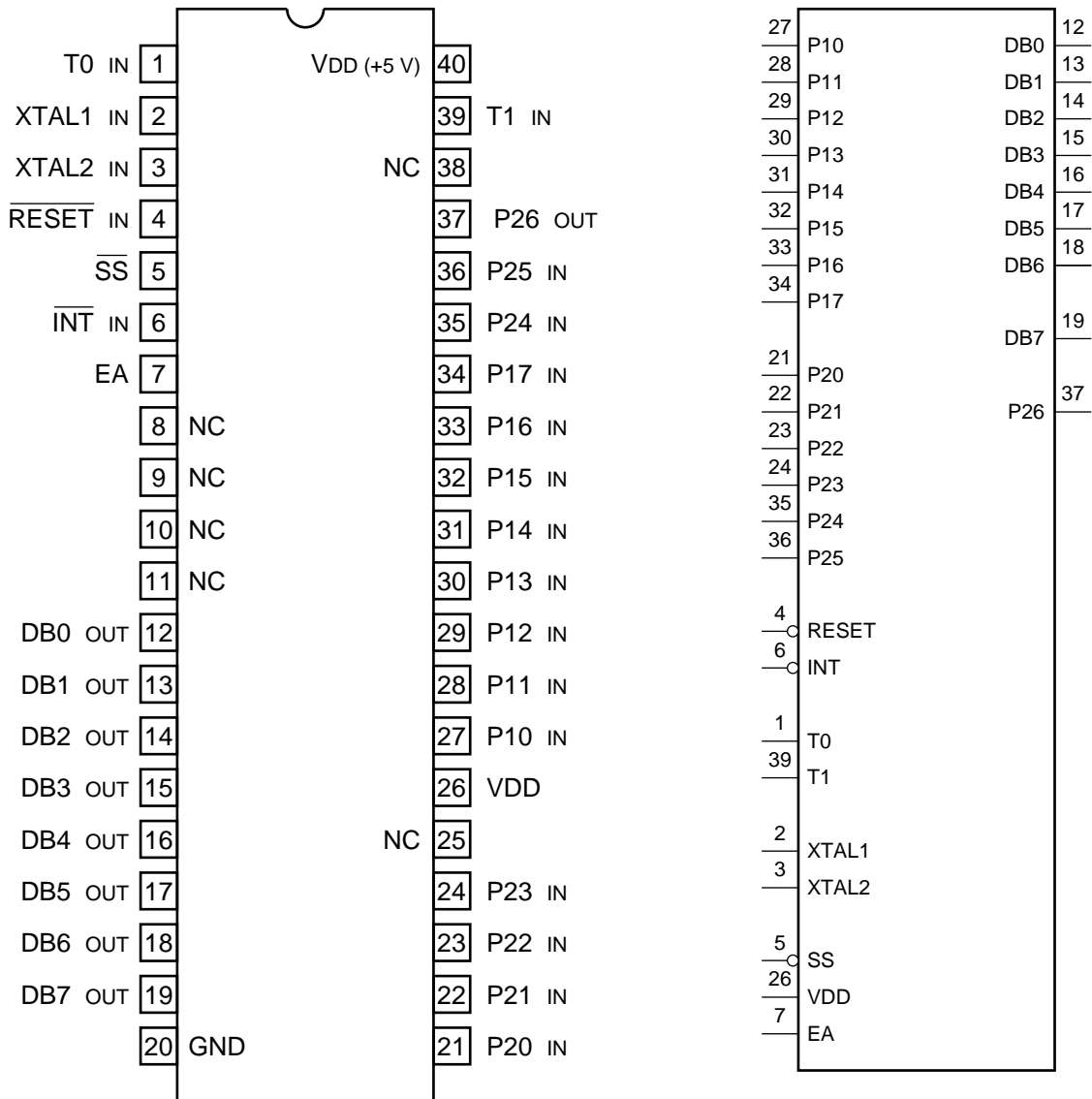


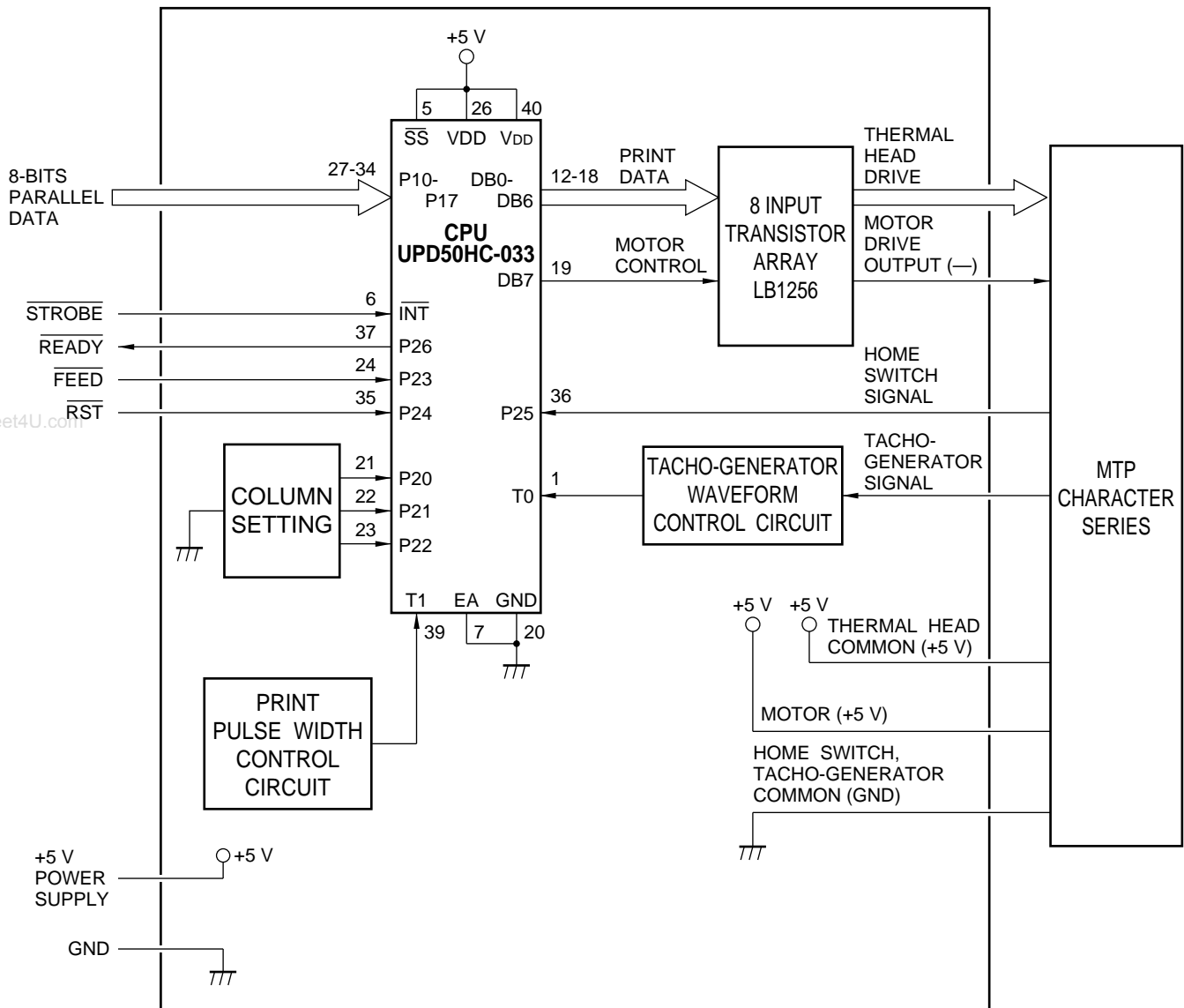
\*\*\*\*\*

N-MOS PRINTER CONTROLLER

- TOP VIEW -



www.DataSheet4U.com



**INPUT**

- INT ; STROBE
- P10-P17 ; PARALLEL DATA
- P20-P22 ; PRINT COLUMN SELECT
- P23 ; PRINTER PAPER FEED
- P24 ; ERROR RESET
- P25 ; HOME SW
- RESET ; RESET
- T0 ; TACHO-GENERATOR
- T1 ; OSCILLATOR FOR PULSE WIDTH SETTING
- XTAL1, XTAL2 ; CRYSTAL

**OUTPUT**

- DB0-DB6 ; THERMAL HEAD DRIVE
- DB7 ; MOTOR DRIVE
- P26 ; READY

**OTHER**

- EA ; NOT USE (GND CONNECT)
- SS ; NOT USE (VDD (+5V) CONNECT)
- VDD ; NOT USE (VDD (+5V) CONNECT)